



SUBMITTAL DATA – WALL-MOUNTED
LI012HO-210P432 - LI012HI-210P432
SINGLE ZONE INVERTER MINI-SPLIT HEAT PUMP

Job: _____
Location: _____
Schedule No.: _____
System Designation: _____

Engineer: _____
Architect: _____
Date: _____
For: Reference Approval Review Construction

FEATURES

Outdoor Unit: LI012HO-210P432
CAT No.: 18J21



- DC Inverter Compressor
- DC ODU Motor
- Golden Fin
- Electronic Expansion Valve
- Low Ambient Cooling
- Low Ambient Heating
- Low Voltage Startup
- 3 Meter Copper Pipe Included

Indoor Unit: LI012HI-210P432
CAT No.: 18J12



- Auto Restart
- Four Selectable Fan Speeds
- Hidden LED Display
- Wireless Remote Included
- Photocatalytic Filter Included
- I Feel Function

Line Set and Elevation Guidelines

Maximum Line Set Length ft. (m)	65.6 ft. (20 m)
Maximum Elevation - Outdoor Unit Below/Above Indoor Unit ft. (m)	40 ft. (12 m)
Liquid Line Set Diameter (in.)	1/4
Gas Line Set Diameter (in.)	3/8

PRODUCT WARRANTY

Five year limited warranty*
 *Product registration required

OPTIONAL ACCESSORIES

Wifi Module(Y9840, WSBTC04)
 Programmable Wired Control(CAT.XK76)
 Non Programmable Wired Control(CAT.XE71-44/G)



NOTE – Due to Lennox' ongoing commitment to quality, Specifications, Ratings, and Dimensions are subject to change without notice and without incurring liability. Improper installation, adjustment, alteration, service or maintenance can cause property damage or personal injury. Installation and service must be performed by a qualified installer and servicing agency.



SUBMITTAL DATA – WALL-MOUNTED

LI012HO-210P432 - LI012HI-210P432

SINGLE ZONE INVERTER MINI-SPLIT HEAT PUMP

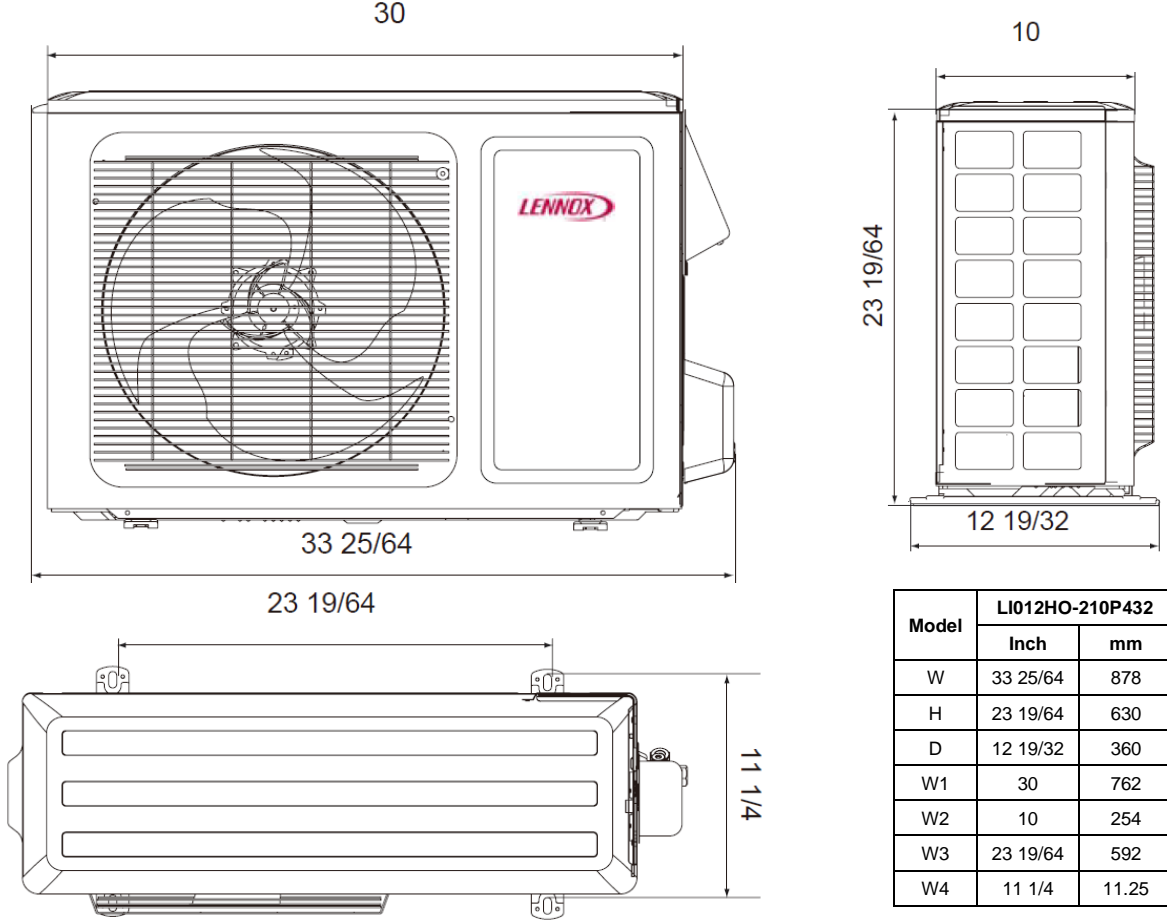
OUTDOOR SPECIFICATIONS

PERFORMANCE	
Cooling Capacity (Btu/h) ¹	12,000
EER	3.23
SEER	20
Heating Capacity (Btu/h) ¹	13,000
HSPF	9.1
Outdoor Fan Total Air Volume (CFM)	1,295
Ambient Temperature Operating Range	
Cooling	-4°F(-20°C) - 115°F(46°C)
Heating	-13°F(-25°C) - 75°F(24°C)
ELECTRICAL DATA	
Power Supply (V/Hz/Φ)	208-230/60/1
Minimum Circuit Ampacity (A)	9
Maximum Overcurrent Protection (A)	15
Outdoor Fan Motor RLA (A)	0.37
Compressor RLA (A)	6.6

GENERAL DATA	
Connection Ratio (%)	100%
Max. # of Indoor Units	1 unit
Sound Pressure (dBA)	53
Refrigerant type	R-410A
Factory refrigerant charge	2.2 lbs. 35.3 oz.
DIMENSIONS	
Unit Dimensions (in)	Height 23-19/64
	Width 33-25/64
	Depth 12-19/32
Shipping Weight (lb)	79.4
Net Weight (lb)	72.8
NOTES	

Cooling and Heating Capacity data is rated at the following conditions:
 Cooling: 81°FDB / 66°FWB Indoor, 95°FDB/ 75°FWB Outdoor
 Heating: 70°FDB / 60°FWB Indoor, 19.94°FDB/ 19.04°FWB Outdoor

OUTDOOR DIMENSIONAL DRAWINGS - INCHES (MM)



Model	LI012HO-210P432	
	Inch	mm
W	33 25/64	878
H	23 19/64	630
D	12 19/32	360
W1	30	762
W2	10	254
W3	23 19/64	592
W4	11 1/4	11.25

NOTE – Due to Lennox' ongoing commitment to quality, Specifications, Ratings, and Dimensions are subject to change without notice and without incurring liability. Improper installation, adjustment, alteration, service or maintenance can cause property damage or personal injury. Installation and service must be performed by a qualified installer and servicing agency.
 495616 (201905) ©2019 Lennox Industries, Inc.



SUBMITTAL DATA – WALL-MOUNTED

LI012HO-210P432 - LI012HI-210P432

SINGLE ZONE INVERTER MINI-SPLIT HEAT PUMP

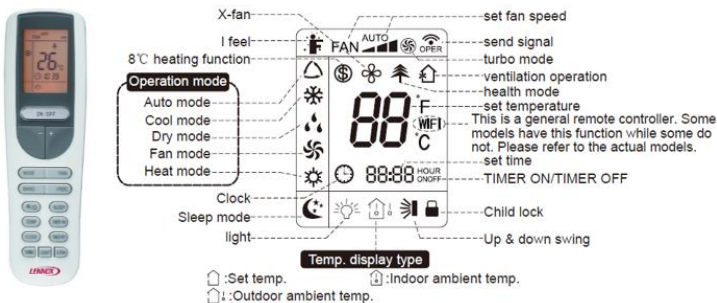
INDOOR SPECIFICATIONS

PERFORMANCE			
Airflow (CFM)	Turbo		371
	High		294
	Medium		235
	Low		182
External Static Pressure (in. w.g.)			-
Sound Pressure (dBA)	Turbo		42
	High		39
	Medium		35
	Low		29
ELECTRICAL DATA			
Power Supply (V/Hz/Φ)		Supplied by ODU	
Rated load amps (RLA)		0.31	
Power Output (W)		20	
DIMENSIONS			
Unit Dimensions (in)	Height		11-1/2
	Width		35-13/64
	Depth		8-21/64
Unit Net/Shipping Weight (lb)		23.3/27.6	

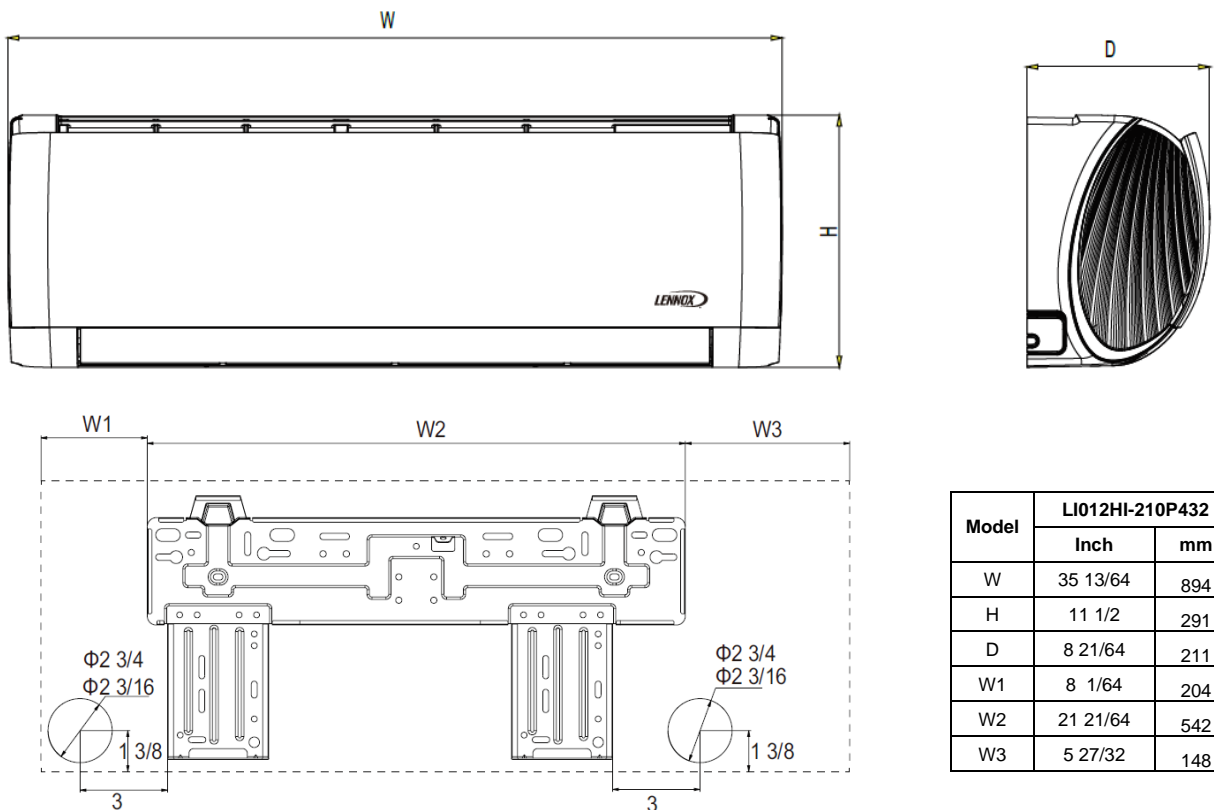
WIRELESS REMOTE CONTROLLER SPECIFICATIONS

YAA1FB	
Power Supply	2 AAA Batteries (Included)
Setpoint Range	61°F(16°C) - 86°F(30°C)
Effective Receiving Range	26 ft.(8m)

DISPLAY



INDOOR DIMENSIONAL DRAWINGS - INCHES (MM)



Model	LI012HI-210P432	
	Inch	mm
W	35 13/64	894
H	11 1/2	291
D	8 21/64	211
W1	8 1/64	204
W2	21 21/64	542
W3	5 27/32	148

NOTE – Due to Lennox' ongoing commitment to quality, Specifications, Ratings, and Dimensions are subject to change without notice and without incurring liability. Improper installation, adjustment, alteration, service or maintenance can cause property damage or personal injury. Installation and service must be performed by a qualified installer and servicing agency.