



**SUBMITTAL DATA – WALL-MOUNTED**  
**LI018HO-210P432 - LI018HI-210P432**  
**SINGLE ZONE INVERTER MINI-SPLIT HEAT PUMP**

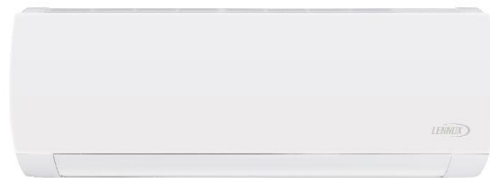
**Job:** \_\_\_\_\_  
**Location:** \_\_\_\_\_  
**Schedule No.:** \_\_\_\_\_  
**System Designation:** \_\_\_\_\_

**Engineer:** \_\_\_\_\_  
**Architect:** \_\_\_\_\_  
**Date:** \_\_\_\_\_  
**For:**  Reference  Approval  Review  Construction

**FEATURES**

**Outdoor Unit: LI018HO-210P432**  
**CAT No.: 18J23**

**Indoor Unit: LI018HI-210P432**  
**CAT No.: 18J22**



- DC Inverter Compressor
- DC ODU Motor
- Golden Fin
- Electronic Expansion Valve
- Low Ambient Cooling
- Low Ambient Heating
- Low Voltage Startup
- 3 Meter Copper Pipe Included

- Auto Restart
- DC IDU Motor
- Four Selectable Fan Speeds
- Hidden LED Display
- Wireless Remote Included
- Photocatalytic Filter Included
- I Feel Function

**Line Set and Elevation Guidelines**

Maximum Line Set Length ft. (m)	100 ft. (30 m)
Maximum Elevation - Outdoor Unit Below/Above Indoor Unit ft. (m)	50 ft. (15 m)
Liquid Line Set Diameter (in.)	1/4"
Gas Line Set Diameter (in.)	1/2"

**PRODUCT WARRANTY**

Five year limited warranty\*  
 \*Product registration required

**OPTIONAL ACCESSORIES**

Wifi Module(Y9840, WSBTC04)  
 Programmable Wired Control(CAT.XK76)  
 Non Programmable Wired Control(CAT.XE71-44/G)



NOTE – Due to Lennox' ongoing commitment to quality, Specifications, Ratings, and Dimensions are subject to change without notice and without incurring liability. Improper installation, adjustment, alteration, service or maintenance can cause property damage or personal injury. Installation and service must be performed by a qualified installer and servicing agency.



**SUBMITTAL DATA – WALL-MOUNTED**

**LI018HO-210P432 - LI018HI-210P432**

**SINGLE ZONE INVERTER MINI-SPLIT HEAT PUMP**

**OUTDOOR SPECIFICATIONS**

PERFORMANCE	
Cooling Capacity (Btu/h) <sup>1</sup>	18,000
EER	3.1
SEER	20
Heating Capacity (Btu/h) <sup>1</sup>	18,000
HSPF	10
Outdoor Fan Total Air Volume (CFM)	3,200
Ambient Temperature Operating Range	
Cooling	-4°F(-20°C) - 115°F(46°C)
Heating	-17°F(-25°C) -75°F(24°C)

GENERAL DATA	
Connection Ratio (%)	100%
Max. # of Indoor Units	1 unit
Sound Pressure (dBA)	58
Refrigerant type	R-410A
Factory refrigerant charge	3.087 lbs. 49.4 oz.

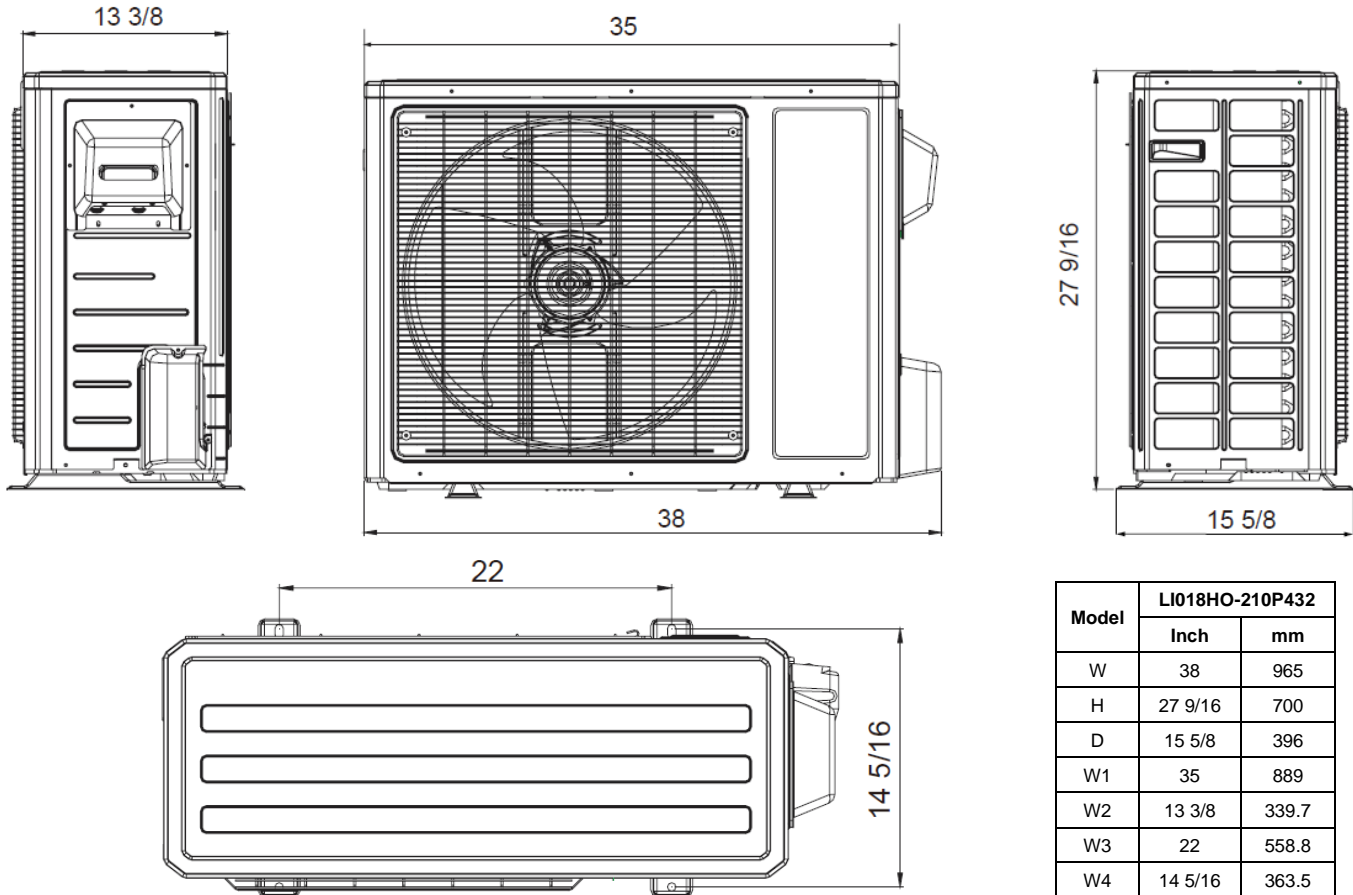
ELECTRICAL DATA	
Power Supply (V/Hz/Φ)	208-230/60/1
Minimum Circuit Ampacity (A)	13
Maximum Overcurrent Protection (A)	20
Outdoor Fan Motor RLA (A)	0.3
Compressor RLA (A)	9.5
No. of Compressors	1

DIMENSIONS		
Unit Dimensions (in)	Height	27 9/16
	Width	38
	Depth	15-5/8
Shipping Weight (lb)	111.4	
Net Weight (lb)	104.7	

**NOTES**

Cooling and Heating Capacity data is rated at the following conditions:  
 Cooling: 81°FDB / 66°FWB Indoor, 95°FDB/ 75°FWB Outdoor  
 Heating: 70°FDB / 60°FWB Indoor, 19.94°FDB/ 19.04°FWB Outdoor

**OUTDOOR DIMENSIONAL DRAWINGS - INCHES (MM)**



Model	LI018HO-210P432	
	Inch	mm
W	38	965
H	27 9/16	700
D	15 5/8	396
W1	35	889
W2	13 3/8	339.7
W3	22	558.8
W4	14 5/16	363.5

NOTE – Due to Lennox' ongoing commitment to quality, Specifications, Ratings, and Dimensions are subject to change without notice and without incurring liability. Improper installation, adjustment, alteration, service or maintenance can cause property damage or personal injury. Installation and service must be performed by a qualified installer and servicing agency.



**SUBMITTAL DATA – WALL-MOUNTED**

**LI018HO-210P432 - LI018HI-210P432**

**SINGLE ZONE INVERTER MINI-SPLIT HEAT PUMP**

**INDOOR SPECIFICATIONS**

PERFORMANCE			
Airflow (CFM)	Turbo	530	
	High	441	
	Medium	412	
	Low	335	
External Static Pressure (in. w.g.)		-	
Sound Pressure(dBA)	Turbo	47	
	High	42	
	Medium	38	
	Low	31	

**ELECTRICAL DATA**

Power Supply (V/Hz/Φ)	Supplied by ODU		
Rated load amps (RLA)	0.3		
Power Output (W)	60		

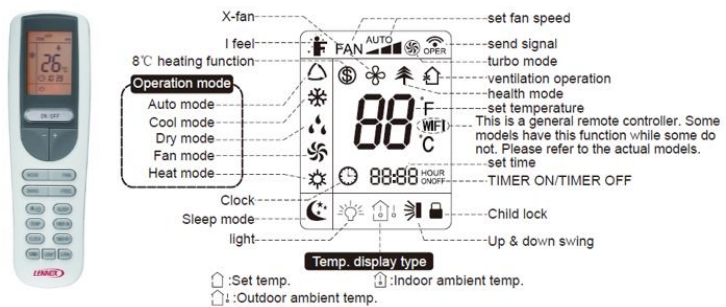
**DIMENSIONS**

Unit Dimensions (in)	Height	12
	Width	40
	Depth	8-45/64
Unit Net/Shipping Weight (lb)		29.8/36.4

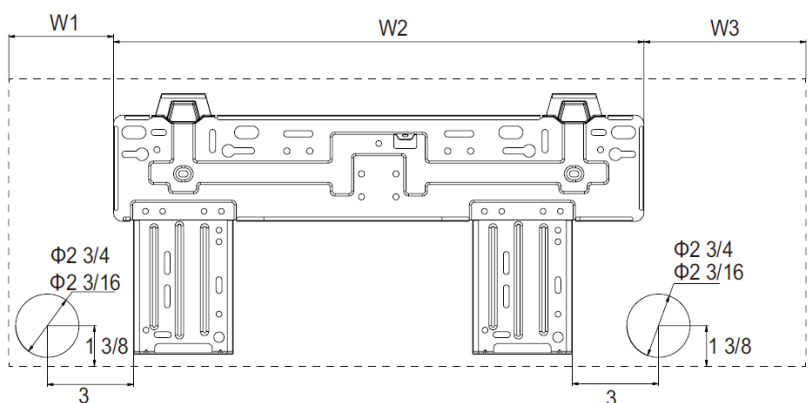
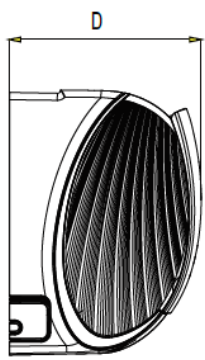
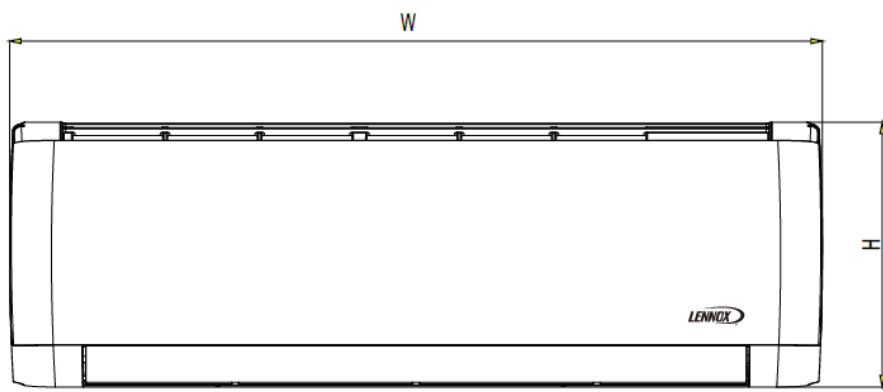
**WIRELESS REMOTE CONTROLLER SPECIFICATIONS**

<b>YAA1FB</b>	
Power Supply	2 AAA Batteries (Included)
Setpoint Range	61°F(16°C) - 86°F(30°C)
Effective Receiving Range	26 ft.(8m)

**DISPLAY**



**INDOOR DIMENSIONAL DRAWINGS - INCHES (MM)**



Model	LI018HI-210P432	
	Inch	mm
W	40	1017
H	12	304
D	8 45/64	221
W1	5	127
W2	27	685.8
W3	8 1/16	204.8

NOTE – Due to Lennox' ongoing commitment to quality, Specifications, Ratings, and Dimensions are subject to change without notice and without incurring liability. Improper installation, adjustment, alteration, service or maintenance can cause property damage or personal injury. Installation and service must be performed by a qualified installer and servicing agency.  
495616 (201905) ©2019 Lennox Industries, Inc.