



SUBMITTAL DATA – WALL-MOUNTED
LI024HO-210P432 - LI024HI-210P432
SINGLE ZONE INVERTER MINI-SPLIT HEAT PUMP

Job: _____
Location: _____
Schedule No.: _____
System Designation: _____

Engineer: _____
Architect: _____
Date: _____
For: Reference Approval Review Construction

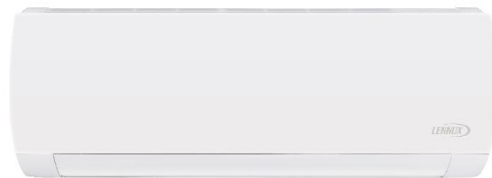
FEATURES

Outdoor Unit: LI024HO-210P432
CAT No.: 18J31



- DC Inverter Compressor
- DC ODU Motor
- Golden Fin
- Electronic Expansion Valve
- Low Ambient Cooling
- Low Ambient Heating
- Low Voltage Startup
- 3 Meter Copper Pipe Included

Indoor Unit: LI024HI-210P432
CAT No.: 18J30



- Auto Restart
- DC IDU Motor
- Four Selectable Fan Speeds
- Hidden LED Display
- Wireless Remote Included
- Photocatalytic Filter Included
- I Feel Function

Line Set and Elevation Guidelines

Maximum Line Set Length ft. (m)	100 ft. (30 m)
Maximum Elevation - Outdoor Unit Below/Above Indoor Unit ft. (m)	65.6 ft. (20 m)
Liquid Line Set Diameter (in.)	1/4"
Gas Line Set Diameter (in.)	5/8"

PRODUCT WARRANTY

Five year limited warranty*
 *Product registration required

OPTIONAL ACCESSORIES

Wifi Module(Y9840, WSBTC04) _____
 Programmable Wired Control(CAT.XK76) _____
 Non Programmable Wired Control(CAT.XE71-44/G) _____



NOTE – Due to Lennox' ongoing commitment to quality, Specifications, Ratings, and Dimensions are subject to change without notice and without incurring liability. Improper installation, adjustment, alteration, service or maintenance can cause property damage or personal injury. Installation and service must be performed by a qualified installer and servicing agency.



SUBMITTAL DATA – WALL-MOUNTED

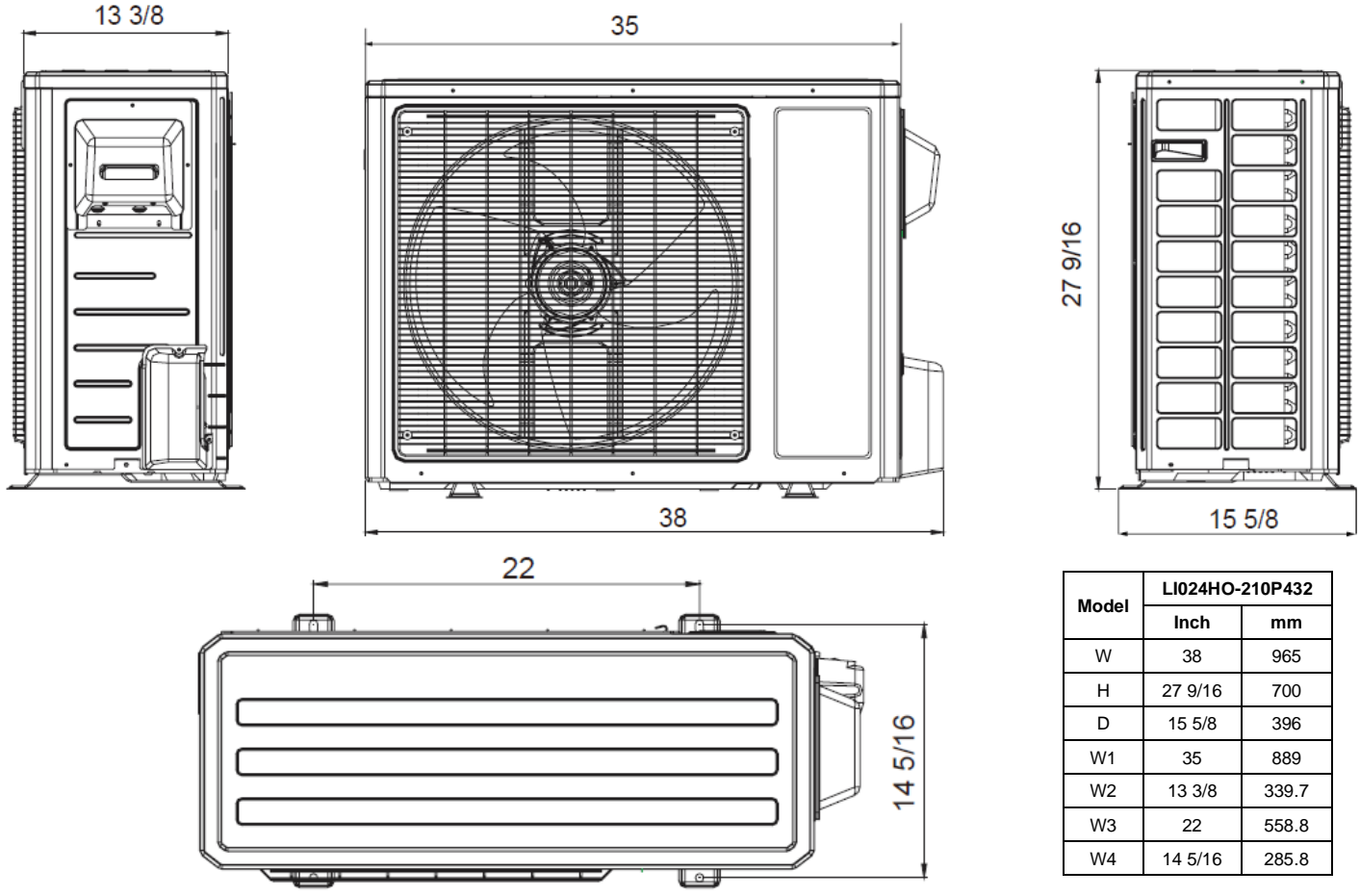
LI024HO-210P432 - LI024HI-210P432

SINGLE ZONE INVERTER MINI-SPLIT HEAT PUMP

OUTDOOR SPECIFICATIONS

PERFORMANCE		GENERAL DATA	
Cooling Capacity (Btu/h) ¹	22,000	Connection Ratio (%)	100%
EER	3.45	Max. # of Indoor Units	1 unit
SEER	19	Sound Data (dBA) - Cooling/Heating	57
Heating Capacity (Btu/h) ¹	24,000	Refrigerant type	R-410A
HSPF	10	Factory refrigerant charge	3.97 lbs. 63.5 oz.
Outdoor Fan Total Air Volume (CFM)	3,200	DIMENSIONS	
Ambient Temperature Operating Range		Unit Dimensions (in)	Height 27-9/16
Cooling	-4°F(-20°C) - 115°F(46°C)	Width	38
Heating	-13°F(-25°C) - 75°F(24°C)	Depth	15-5/8
ELECTRICAL DATA		Shipping Weight (lb)	131.2
Power Supply (V/Hz/Φ)	208-230/60/1	Net Weight (lb)	121.28
Minimum Circuit Ampacity (A)	18	NOTES	
Maximum Overcurrent Protection (A)	25	Cooling and Heating Capacity data is rated at the following conditions:	
Outdoor Fan Motor RLA (A)	0.4	Cooling: 81°FDB / 66°FWB Indoor, 95°FDB/ 75°FWB Outdoor	
Compressor RLA (A)	13	Heating: 70°FDB / 60°FWB Indoor, 19.94°FDB/ 19.04°FWB Outdoor	
No. of Compressors	1		

OUTDOOR DIMENSIONAL DRAWINGS - INCHES (MM)



Model	LI024HO-210P432	
	Inch	mm
W	38	965
H	27 9/16	700
D	15 5/8	396
W1	35	889
W2	13 3/8	339.7
W3	22	558.8
W4	14 5/16	285.8

NOTE – Due to Lennox' ongoing commitment to quality, Specifications, Ratings, and Dimensions are subject to change without notice and without incurring liability. Improper installation, adjustment, alteration, service or maintenance can cause property damage or personal injury. Installation and service must be performed by a qualified installer and servicing agency.
495616 (201905) ©2019 Lennox Industries, Inc.



SUBMITTAL DATA – WALL-MOUNTED

LI024HO-210P432 - LI024HI-210P432

SINGLE ZONE INVERTER MINI-SPLIT HEAT PUMP

INDOOR SPECIFICATIONS

PERFORMANCE			
Airflow (CFM)	Turbo		765
	High		677
	Medium		588
	Low		500
External Static Pressure (in. w.g.)			-
Sound Pressure (dBA)	Turbo		49
	High		45
	Medium		41
	Low		37

ELECTRICAL DATA

Power Supply (V/Hz/Φ)	Supplied by ODU		
Rated load amps (RLA)	0.32		
Power Output (W)	30		

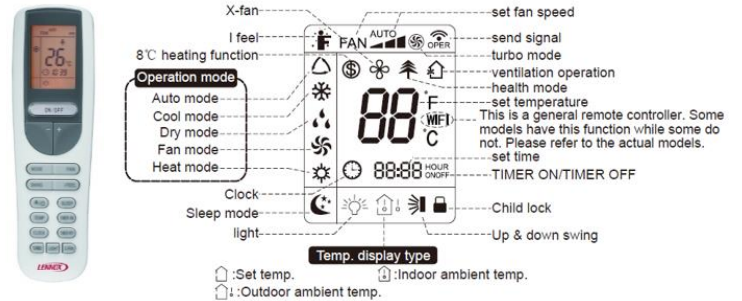
DIMENSIONS

Unit Dimensions (in)	Height	13
	Width	44-43/64
	Depth	9-23/32
Unit Net/Shipping Weight (lb)	36.4/44.1	

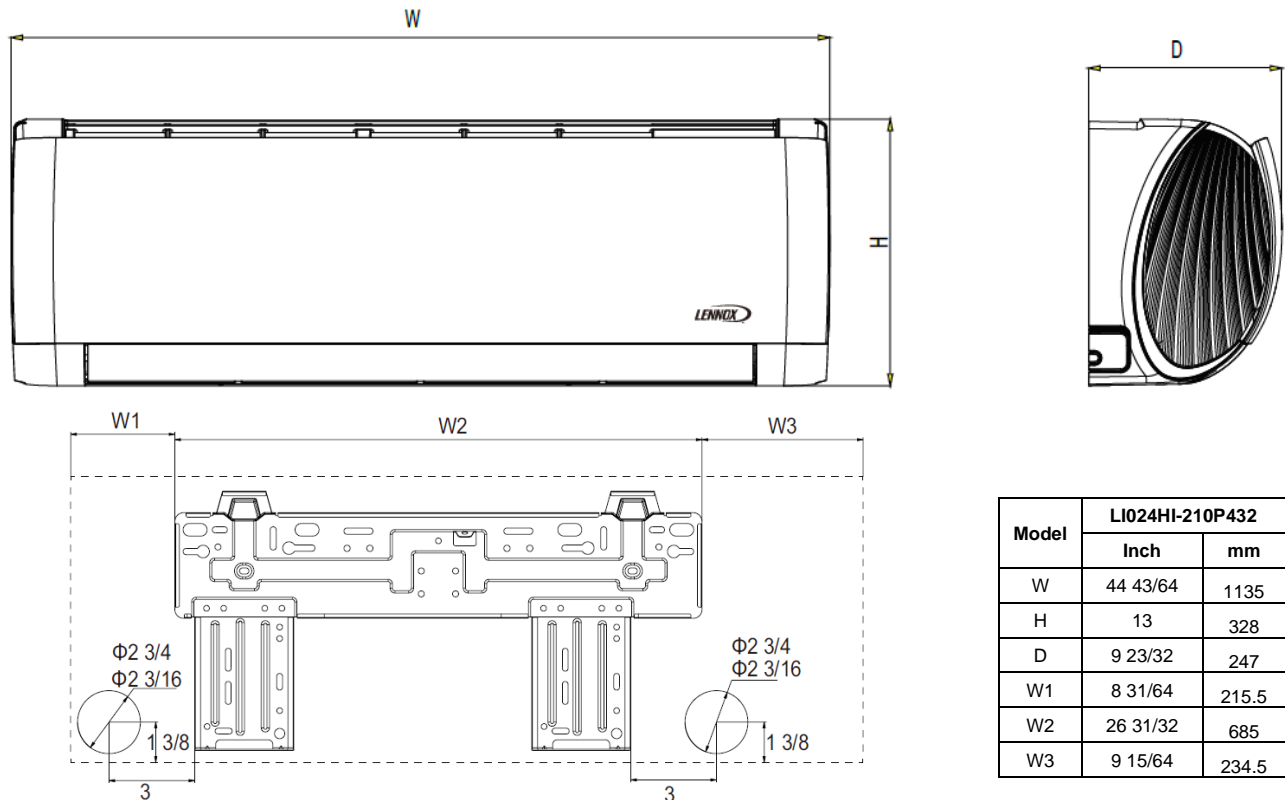
WIRELESS REMOTE CONTROLLER SPECIFICATIONS

YAA1FB	
Power Supply	2 AAA Batteries (Included)
Setpoint Range	61°F(16°C) - 86°F(30°C)
Effective Receiving Range	26 ft.(8m)

DISPLAY



INDOOR DIMENSIONAL DRAWINGS - INCHES (MM)



Model	LI024HI-210P432	
	Inch	mm
W	44 43/64	1135
H	13	328
D	9 23/32	247
W1	8 31/64	215.5
W2	26 31/32	685
W3	9 15/64	234.5

NOTE – Due to Lennox' ongoing commitment to quality, Specifications, Ratings, and Dimensions are subject to change without notice and without incurring liability. Improper installation, adjustment, alteration, service or maintenance can cause property damage or personal injury. Installation and service must be performed by a qualified installer and servicing agency.