



**SUBMITTAL DATA – WALL-MOUNTED
LI012HO-160T432 – LI012HI-160T432
SINGLE ZONE INVERTER MINI-SPLIT HEAT PUMP**

Job: _____
Location: _____
Schedule No.: _____
System Designation: _____

Engineer: _____
Architect: _____
Date: _____

FEATURES

Outdoor Unit: **LI012HO-160T432**
Outdoor Unit Cat Number: **Y6735**

Indoor Unit: **LI012HI-160T432**
Indoor Unit Cat Number: **Y6734**



- 3 Meter Copper Pipe Included
- Electronic Expansion Valve
- Low Ambient Cooling
- European SEER Class A++
- European SCOP Class A+
- Chile IEE Class A
- Goldfin

- Auto Restart
- Four Selectable Fan Speeds
- Hidden LED Display
- Wireless Remote Included
- I Feel Function

PIPING

Line Set and Elevation Guidelines	
Maximum Line Set Length ft. (m)	65.6 ft. (20 m)
Maximum Elevation - Outdoor Unit Below/Above Indoor Unit ft. (m)	32.8 ft. (10 m)
Liquid Line Set Diameter (in.)	1/4"
Gas Line Set Diameter (in.)	3/8"

PRODUCT WARRANTY

5 Year Limited Warranty*

OPTIONAL ACCESORIES

Wifi Module(Y9840, WSBTE04)



NOTE – Due to Lennox’ ongoing commitment to quality, Specifications, Ratings, and Dimensions are subject to change without notice and without incurring liability. Improper installation, adjustment, alteration, service or maintenance can cause property damage or personal injury. Installation and service must be performed by a qualified installer and servicing agency



SUBMITTAL DATA – WALL-MOUNTED
LI012HO-160T432 – LI012HI-160T432
SINGLE ZONE INVERTER MINI-SPLIT HEAT PUMP

OUTDOOR SPECIFICATIONS

PERFORMANCE

Cooling Capacity (Btu/h)	11,942
EER(W/W)	3.23
ESEER(W/W)	6.1
Heating Capacity (Btu/h)	12,522
COP	3.71

Outdoor Fan Total Air Volume (CFM)	941
------------------------------------	-----

Ambient Temperature Operating Range	
Cooling	5°F(-15°C) - 109°F(43°C)
Heating	-8°F(-22°C) - 75°F(24°C)

ELECTRICAL DATA

Power Supply (V/Hz/ϕ)	220-240/50/1
Minimum Circuit Ampacity (A)	/
Maximum Overcurrent Protection (A)	/
Outdoor Fan Motor RLA (A)	.36
Compressor RLA (A)	3.1
No. of Compressors	1

GENERAL DATA

Connection Ratio (%)	100%
Max. # of Indoor Units	1
Sound Data (dBA) - Cooling/Heating	53
Refrigerant type	R-410A
Factory refrigerant charge	1.88 lbs. 30 oz.

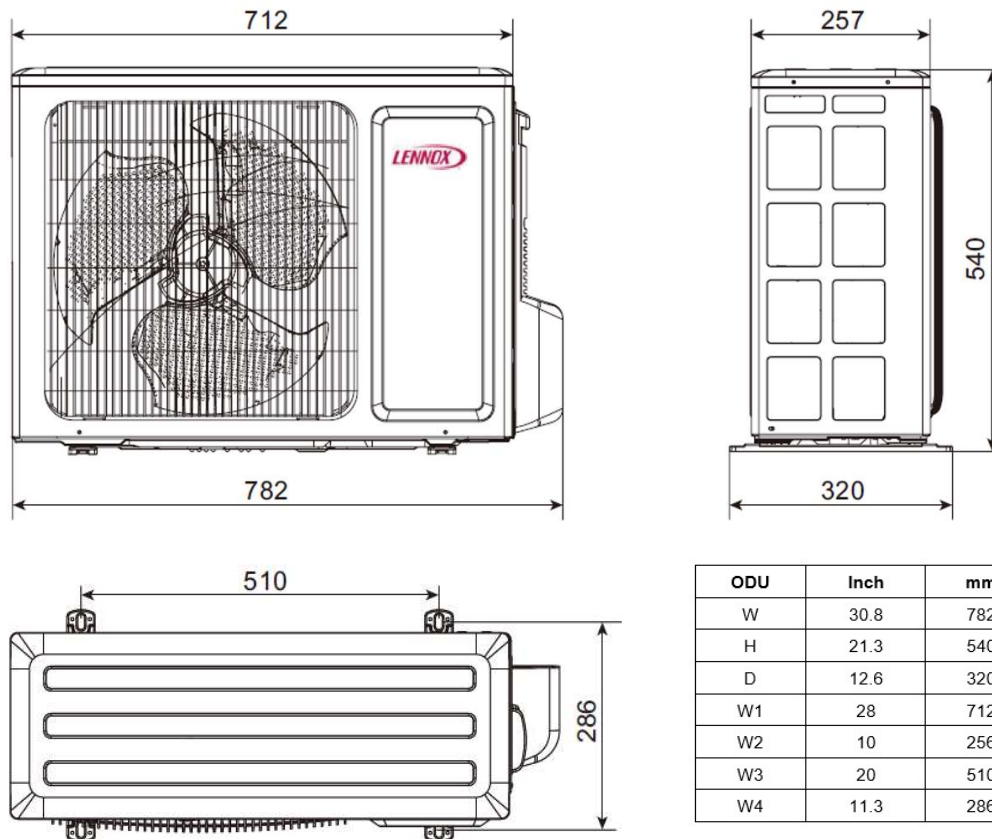
DIMENSIONS

Unit Dimensions (in)	Height	21.3
	Width	30.8
	Depth	12.6
Shipping Weight (lb)		70.6
Net Weight (lb)		63.9

NOTES

1. Cooling and Heating Capacity data is rated at the following conditions:
Cooling: 80°FDB / 67°FWB Indoor, 95°FDB/75°FWB Outdoor
Heating: 70°FDB / 60°FWB Indoor, 45°FDB/ 43°FWB Outdoor

OUTDOOR DIMENSIONAL DRAWINGS - INCHES (MM)



NOTE – Due to Lennox' ongoing commitment to quality, Specifications, Ratings, and Dimensions are subject to change without notice and without incurring liability. Improper installation, adjustment, alteration, service or maintenance can cause property damage or personal injury. Installation and service must be performed by a qualified installer and servicing agency



**SUBMITTAL DATA – WALL-MOUNTED
LI012HO-160T432 – LI012HI-160T432
SINGLE ZONE INVERTER MINI-SPLIT HEAT PUMP**

INDOOR SPECIFICATIONS

PERFORMANCE			
Airflow (CFM)	Turbo		388
	High		318
	Medium		271
	Low		194
External Static Pressure (in. w.g.)			-
Sound Pressure (dBA)	Turbo		42
	High		39
	Medium		33
	Low		26

ELECTRICAL DATA

Power Supply (V/Hz/ϕ)	Supplied by ODU		
Rated load amps (RLA)			.31
Power Output (W)			20

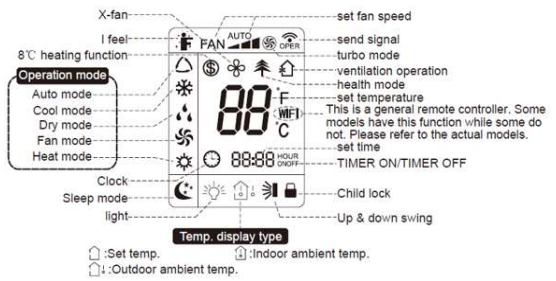
DIMENSIONS

Unit Dimensions (in)	Height		11.4
	Width		33.2
	Depth		8.2
Unit Net/Shipping Weight (lb)			22/26.5

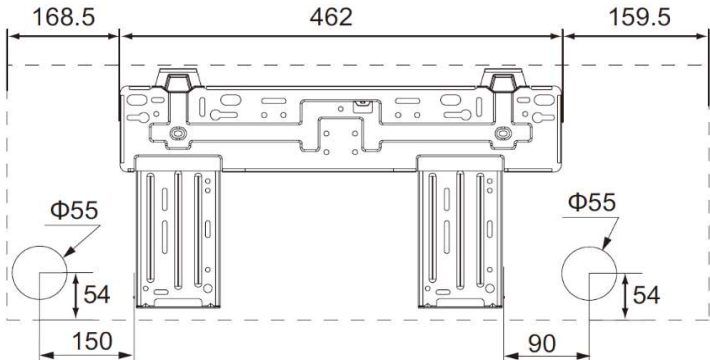
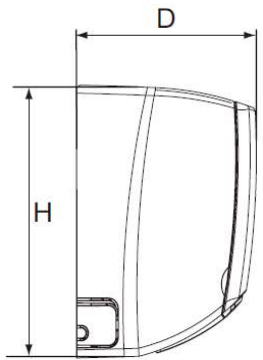
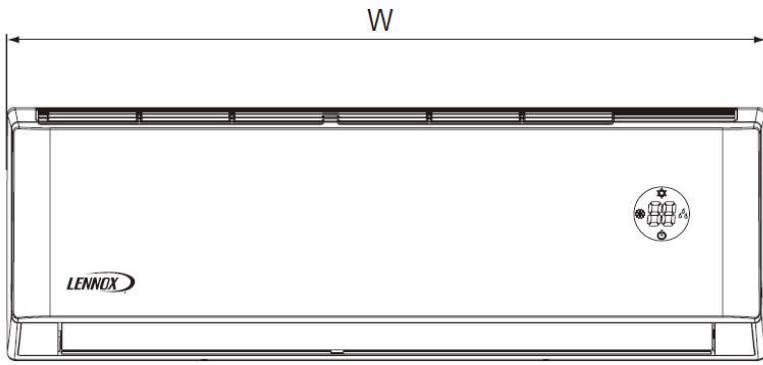
WIRELESS REMOTE CONTROLLER SPECIFICATIONS

Y6334	
Power Supply	2 AAA Batteries (Included)
Setpoint Range	61°F(16°C) - 86°F(30°C)
Effective Receiving Range	26 ft.(8m)

DISPLAY



INDOOR DIMENSIONAL DRAWINGS - INCHES (MM)



IDU	Inch	mm
W	33.2	845
H	11.4	289
D	8.2	209

NOTE – Due to Lennox' ongoing commitment to quality, Specifications, Ratings, and Dimensions are subject to change without notice and without incurring liability. Improper installation, adjustment, alteration, service or maintenance can cause property damage or personal injury. Installation and service must be performed by a qualified installer and servicing agency