



**SUBMITTAL DATA – WALL-MOUNTED
LI018HO-160T432 – LI018HI-160T432
SINGLE ZONE INVERTER MINI-SPLIT HEAT PUMP**

Job: _____
Location: _____
Schedule No.: _____
System Designation: _____

Engineer: _____
Architect: _____
Date: _____

FEATURES

Outdoor Unit: **LI018HO-160T432**
Outdoor Unit Cat Number: **Y6737**

Indoor Unit: **LI018HI-160T432**
Indoor Unit Cat Number: **Y6736**



- 3 Meter Copper Pipe Included
- Electronic Expansion Valve
- Low Ambient Cooling
- European SEER Class A++
- European SCOP Class A+
- Chile IEE Class A
- Goldfin

- Auto Restart
- Four Selectable Fan Speeds
- Hidden LED Display
- Wireless Remote Included
- I Feel Function

PIPING

Line Set and Elevation Guidelines	
Maximum Line Set Length ft. (m)	82 ft. (25 m)
Maximum Elevation - Outdoor Unit Below/Above Indoor Unit ft. (m)	32.8 ft. (10 m)
Liquid Line Set Diameter (in.)	1/4"
Gas Line Set Diameter (in.)	1/2"

PRODUCT WARRANTY

5 Year Limited Warranty*

OPTIONAL ACCESORIES

Wifi Module(Y9840, WSBTE04)



NOTE – Due to Lennox' ongoing commitment to quality, Specifications, Ratings, and Dimensions are subject to change without notice and without incurring liability. Improper installation, adjustment, alteration, service or maintenance can cause property damage or personal injury. Installation and service must be performed by a qualified installer and servicing agency



SUBMITTAL DATA – WALL-MOUNTED
LI018HO-160T432 – LI018HI-160T432
SINGLE ZONE INVERTER MINI-SPLIT HEAT PUMP

OUTDOOR SPECIFICATIONS

PERFORMANCE

Cooling Capacity (Btu/h)	17,504
EER(W/W)	3.25
ESEER(W/W)	6.1
Heating Capacity (Btu/h)	17,998
COP	3.74

Outdoor Fan Total Air Volume (CFM)	1,882
------------------------------------	-------

Ambient Temperature Operating Range	
Cooling	5°F(-15°C) - 109°F(43°C)
Heating	-8°F(-22°C) - 75°F(24°C)

ELECTRICAL DATA

Power Supply (V/Hz/ϕ)	220-240/50/1
Minimum Circuit Ampacity (A)	/
Maximum Overcurrent Protection (A)	/
Outdoor Fan Motor RLA (A)	.4
Compressor RLA (A)	7.5
No. of Compressors	1

GENERAL DATA

Connection Ratio (%)	100%
Max. # of Indoor Units	1
Sound Data (dBA) - Cooling/Heating	56
Refrigerant type	R-410A
Factory refrigerant charge	2.87 lbs. 45.9 oz.

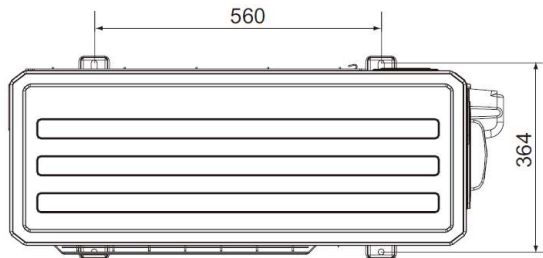
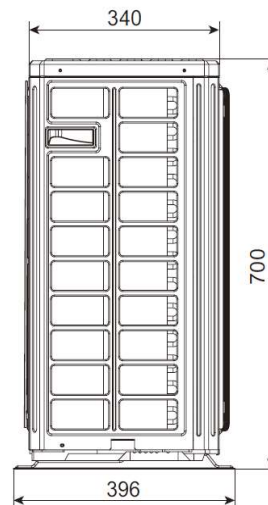
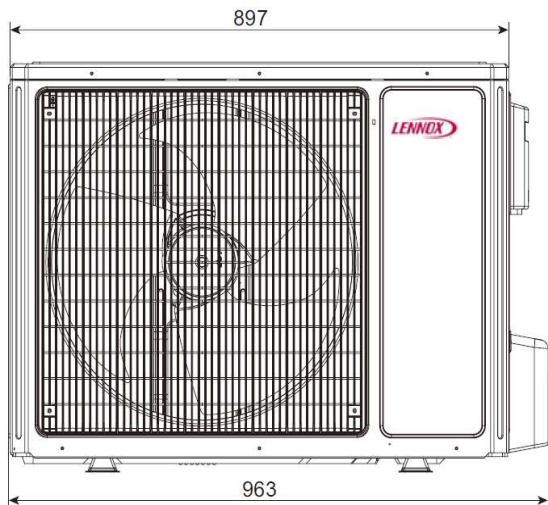
DIMENSIONS

Unit Dimensions (in)	Height	27.6
	Width	37.9
	Depth	15.6
Shipping Weight (lb)		109.1
Net Weight (lb)		99.2

NOTES

1. Cooling and Heating Capacity data is rated at the following conditions:
 Cooling: 80°FDB / 67°FWB Indoor, 95°FDB/75°FWB Outdoor
 Heating: 70°FDB / 60°FWB Indoor, 45°FDB/ 43°FWB Outdoor

OUTDOOR DIMENSIONAL DRAWINGS - INCHES (MM)



ODU	Inch	mm
W	37.9	963
H	27.6	700
D	15.6	396
W1	35.3	897
W2	13.4	340
W3	22	560
W4	14.3	364

NOTE – Due to Lennox' ongoing commitment to quality, Specifications, Ratings, and Dimensions are subject to change without notice and without incurring liability. Improper installation, adjustment, alteration, service or maintenance can cause property damage or personal injury. Installation and service must be performed by a qualified installer and servicing agency



**SUBMITTAL DATA – WALL-MOUNTED
LI018HO-160T432 – LI018HI-160T432
SINGLE ZONE INVERTER MINI-SPLIT HEAT PUMP**

INDOOR SPECIFICATIONS

PERFORMANCE		
Airflow (CFM)	Turbo	471
	High	424
	Medium	359
	Low	306
External Static Pressure (in. w.g.)		-
Sound Pressure (dBA)	Turbo	46
	High	42
	Medium	39
	Low	36

ELECTRICAL DATA

Power Supply (V/Hz/ϕ)	Supplied by ODU
Rated load amps (RLA)	.35
Power Output (W)	35

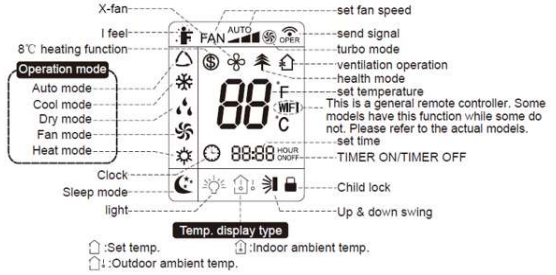
DIMENSIONS

Unit Dimensions (in)	Height	11.8
	Width	38.2
	Depth	8.8
Unit Net/Shipping Weight (lb)		29.8/36.4

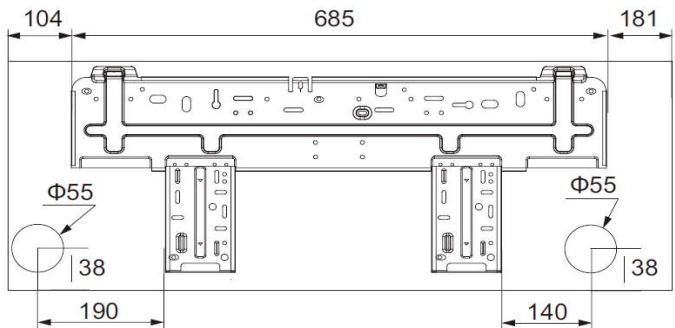
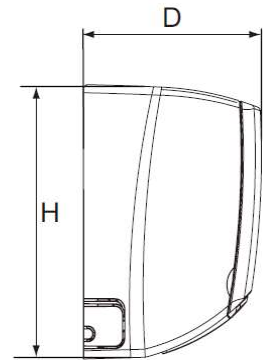
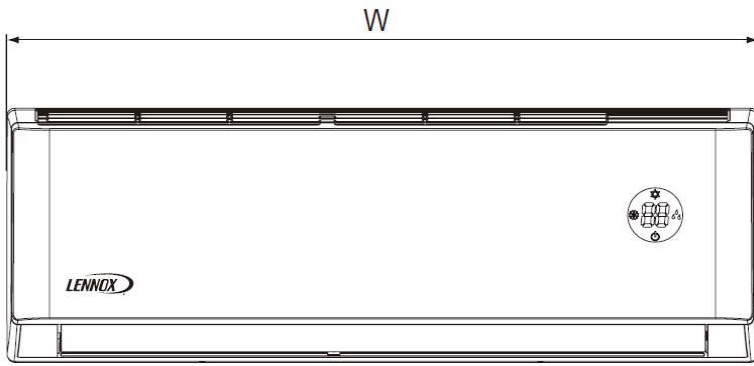
WIRELESS REMOTE CONTROLLER SPECIFICATIONS

Y6334	
Power Supply	2 AAA Batteries (Included)
Setpoint Range	61°F(16°C) - 86°F(30°C)
Effective Receiving Range	26 ft.(8m)

DISPLAY



INDOOR DIMENSIONAL DRAWINGS - INCHES (MM)



IDU	Inch	mm
W	38.2	970
H	11.8	300
D	8.8	224

NOTE – Due to Lennox' ongoing commitment to quality, Specifications, Ratings, and Dimensions are subject to change without notice and without incurring liability. Improper installation, adjustment, alteration, service or maintenance can cause property damage or personal injury. Installation and service must be performed by a qualified installer and servicing agency