



**SUBMITTAL DATA – WALL-MOUNTED
LM18CO-100T432-1 – LM18CI-100T432-1
SINGLE ZONE MINI-SPLIT COOLING ONLY**

Job: _____
Location: _____
Schedule No.: _____
System Designation: _____

Engineer: _____
Architect: _____
Date: _____

FEATURES

Outdoor Unit: **LM18CO-100T432-1**
Outdoor Unit Cat Number: **Y6765**

Indoor Unit: **LM18CI-100T432-1**
Indoor Unit Cat Number: **Y6764**



- 3 Meter Copper Pipe Included

- Auto Restart
- Four Selectable Fan Speeds
- Hidden LED Display
- Wireless Remote Included
- I Feel Function

PIPING

Line Set and Elevation Guidelines	
Maximum Line Set Length ft. (m)	82.0 ft. (25 m)
Maximum Elevation - Outdoor Unit Below/Above Indoor Unit ft. (m)	32.8 ft. (10 m)
Liquid Line Set Diameter (in.)	1/4"
Gas Line Set Diameter (in.)	1/2"

PRODUCT WARRANTY

5 Year Limited Warranty*

OPTIONAL ACCESORIES

NOTE – Due to Lennox’ ongoing commitment to quality, Specifications, Ratings, and Dimensions are subject to change without notice and without incurring liability. Improper installation, adjustment, alteration, service or maintenance can cause property damage or personal injury. Installation and service must be performed by a qualified installer and servicing agency



**SUBMITTAL DATA – WALL-MOUNTED
LM18CO-100T432-1 – LM18CI-100T432-1
SINGLE ZONE MINI-SPLIT COOLING ONLY**

OUTDOOR SPECIFICATIONS

PERFORMANCE	
Cooling Capacity (Btu/h)	18,000
EER(W/W)	3.15
SEER(BTUH/W)	/
Heating Capacity (Btu/h)	/
COP	/

Outdoor Fan Total Air Volume (CFM)	1,647
Ambient Temperature Operating Range	
Cooling	64°F(18°C) - 109°F(43°C)
Heating	/

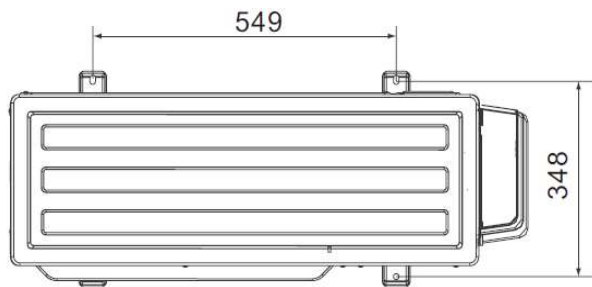
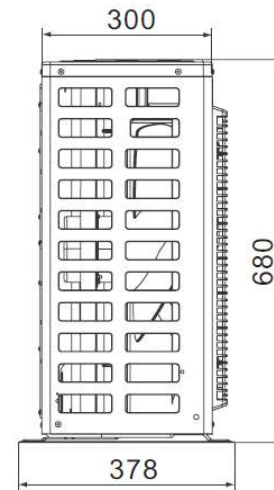
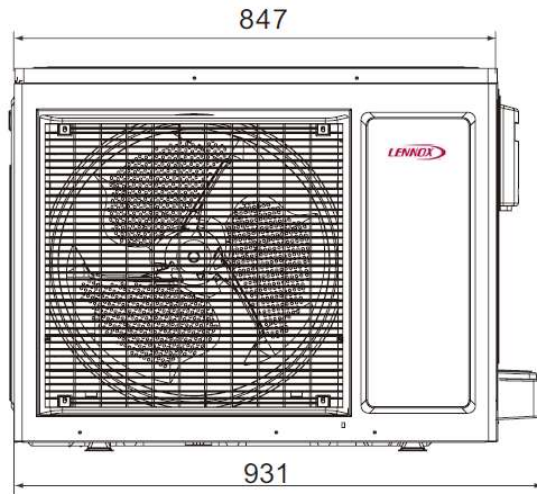
ELECTRICAL DATA	
Power Supply (V/Hz/ϕ)	Supplied by IDU
Minimum Circuit Ampacity (A)	/
Maximum Overcurrent Protection (A)	/
Outdoor Fan Motor RLA (A)	.75
Compressor RLA (A)	7.25
No. of Compressors	1

GENERAL DATA	
Connection Ratio (%)	100%
Max. # of Indoor Units	1
Sound Data (dBA) - Cooling/Heating	54
Refrigerant type	R-410A
Factory refrigerant charge	2.54 lbs. 40.6 oz.

DIMENSIONS		
Unit Dimensions (in)	Height	26.8
	Width	36.7
	Depth	14.9
Shipping Weight (lb)	112.5	
Net Weight (lb)	103.6	

NOTES
1. Cooling and Heating Capacity data is rated at the following conditions:
Cooling: 80°FDB / 67°FWB Indoor, 95°FDB/75°FWB Outdoor
Heating: 68°FDB / 59°FWB Indoor, 45°FDB/ 43°FWB Outdoor

OUTDOOR DIMENSIONAL DRAWINGS - INCHES (MM)



ODU	Inch	mm
W	36.7	931
H	26.8	680
D	14.9	378
W1	33.3	847
W2	11.8	300
W3	21.6	549
W4	13.7	348

NOTE – Due to Lennox' ongoing commitment to quality, Specifications, Ratings, and Dimensions are subject to change without notice and without incurring liability. Improper installation, adjustment, alteration, service or maintenance can cause property damage or personal injury. Installation and service must be performed by a qualified installer and servicing agency



**SUBMITTAL DATA – WALL-MOUNTED
LM18CO-100T432-1 – LM18CI-100T432-1
SINGLE ZONE MINI-SPLIT COOLING ONLY**

INDOOR SPECIFICATIONS

PERFORMANCE			
Airflow (CFM)	Turbo		500
	High		459
	Medium		400
	Low		318
External Static Pressure (in. w.g.)			-
Sound Pressure (dBA)	Turbo		48
	High		43
	Medium		40
	Low		36

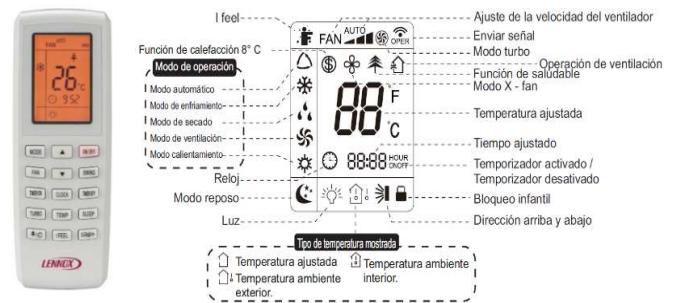
ELECTRICAL DATA	
Power Supply (V/Hz/ϕ)	220-240/50/1
Rated load amps (RLA)	.35
Power Output (W)	35

DIMENSIONS			
Unit Dimensions (in)	Height		11.8
	Width		38.2
	Depth		8.8
Unit Net/Shipping Weight (lb)			29.8/36.4

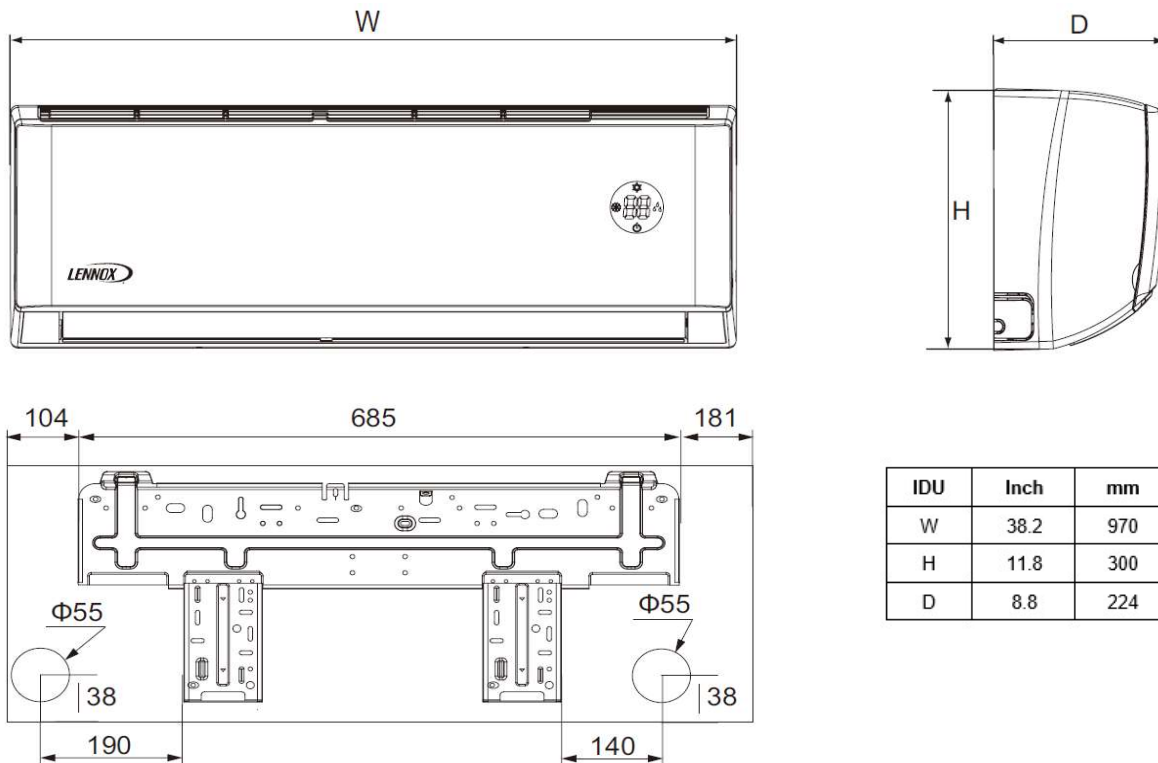
WIRELESS REMOTE CONTROLLER SPECIFICATIONS

Y6185	
Power Supply	2 AAA Batteries (Included)
Setpoint Range	61°F(16°C) - 86°F(30°C)
Effective Receiving Range	26 ft.(8m)

DISPLAY



INDOOR DIMENSIONAL DRAWINGS - INCHES (MM)



NOTE – Due to Lennox’ ongoing commitment to quality, Specifications, Ratings, and Dimensions are subject to change without notice and without incurring liability. Improper installation, adjustment, alteration, service or maintenance can cause property damage or personal injury. Installation and service must be performed by a qualified installer and servicing agency