



**SUBMITTAL DATA – WALL-MOUNTED
LM18HO-100T432-1 – LM18HI-100T432-1
SINGLE ZONE MINI-SPLIT HEAT PUMP**

Job: _____
Location: _____
Schedule No.: _____
System Designation: _____

Engineer: _____
Architect: _____
Date: _____

FEATURES

Outdoor Unit: **LM18HO-100T432-1**
Outdoor Unit Cat Number: **Y6773**

Indoor Unit: **LM18HI-100T432-1**
Indoor Unit Cat Number: **Y6772**



- 3 Meter Copper Pipe Included

- Auto Restart
- Four Selectable Fan Speeds
- Hidden LED Display
- Wireless Remote Included
- I Feel Function

PIPING

Line Set and Elevation Guidelines	
Maximum Line Set Length ft. (m)	82.0 ft. (25 m)
Maximum Elevation - Outdoor Unit Below/Above Indoor Unit ft. (m)	32.8 ft. (10 m)
Liquid Line Set Diameter (in.)	1/4"
Gas Line Set Diameter (in.)	1/2"

PRODUCT WARRANTY

5 Year Limited Warranty*

OPTIONAL ACCESORIES



NOTE – Due to Lennox' ongoing commitment to quality, Specifications, Ratings, and Dimensions are subject to change without notice and without incurring liability. Improper installation, adjustment, alteration, service or maintenance can cause property damage or personal injury. Installation and service must be performed by a qualified installer and servicing agency



**SUBMITTAL DATA – WALL-MOUNTED
LM18HO-100T432-1 – LM18HI-100T432-1
SINGLE ZONE MINI-SPLIT HEAT PUMP**

OUTDOOR SPECIFICATIONS

PERFORMANCE	
Cooling Capacity (Btu/h)	18,000
EER(W/W)	3.22
SEER(BTUH/W)	/
Heating Capacity (Btu/h)	18,800
COP	3.6

Outdoor Fan Total Air Volume (CFM)	1,412
Ambient Temperature Operating Range	
Cooling	64°F(18°C) - 109°F(43°C)
Heating	19°F(-7°C) - 75°F(24°C)

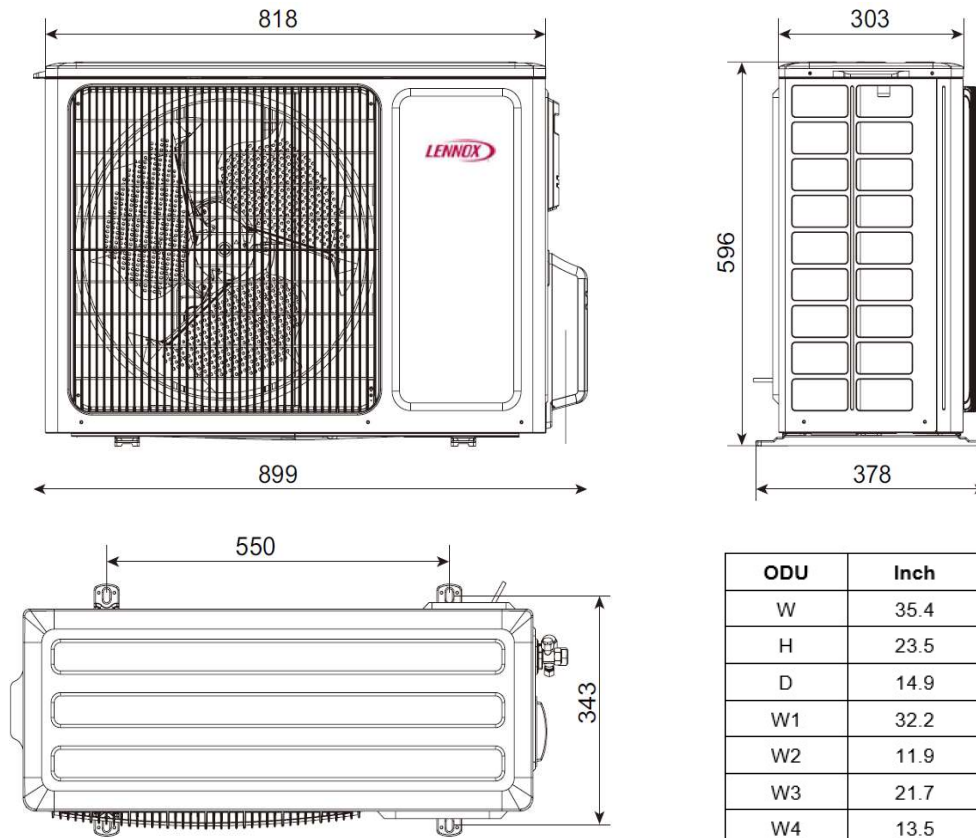
ELECTRICAL DATA	
Power Supply (V/Hz/ϕ)	Supplied by IDU
Minimum Circuit Ampacity (A)	/
Maximum Overcurrent Protection (A)	/
Outdoor Fan Motor RLA (A)	.4
Compressor RLA (A)	7.7
No. of Compressors	1

GENERAL DATA	
Connection Ratio (%)	100%
Max. # of Indoor Units	1
Sound Data (dBA) - Cooling/Heating	56
Refrigerant type	R-410A
Factory refrigerant charge	2.76 lbs. 44.1 oz.

DIMENSIONS		
Unit Dimensions (in)	Height	23.5
	Width	35.4
	Depth	14.9
Shipping Weight (lb)	109.1	
Net Weight (lb)	102.5	

NOTES
1. Cooling and Heating Capacity data is rated at the following conditions:
Cooling: 80°FDB / 67°F WB Indoor, 95°FDB/75°F WB Outdoor
Heating: 68°FDB / 59°F WB Indoor, 45°FDB/ 43°F WB Outdoor

OUTDOOR DIMENSIONAL DRAWINGS - INCHES (MM)



ODU	Inch	mm
W	35.4	899
H	23.5	596
D	14.9	378
W1	32.2	818
W2	11.9	303
W3	21.7	550
W4	13.5	343

NOTE – Due to Lennox’ ongoing commitment to quality, Specifications, Ratings, and Dimensions are subject to change without notice and without incurring liability. Improper installation, adjustment, alteration, service or maintenance can cause property damage or personal injury. Installation and service must be performed by a qualified installer and servicing agency



**SUBMITTAL DATA – WALL-MOUNTED
LM18HO-100T432-1 – LM18HI-100T432-1
SINGLE ZONE MINI-SPLIT HEAT PUMP**

INDOOR SPECIFICATIONS

PERFORMANCE

Airflow (CFM)	Turbo	500
	High	459
	Medium	400
	Low	318
External Static Pressure (in. w.g.)		-
Sound Pressure (dBA)	Turbo	47
	High	43
	Medium	39
	Low	35

ELECTRICAL DATA

Power Supply (V/Hz/ϕ)	220-240/50/1
Rated load amps (RLA)	.35
Power Output (W)	35

DIMENSIONS

Unit Dimensions (in)	Height	11.8
	Width	38.2
	Depth	8.8
Unit Net/Shipping Weight (lb)		29.8/36.4

WIRELESS REMOTE CONTROLLER SPECIFICATIONS

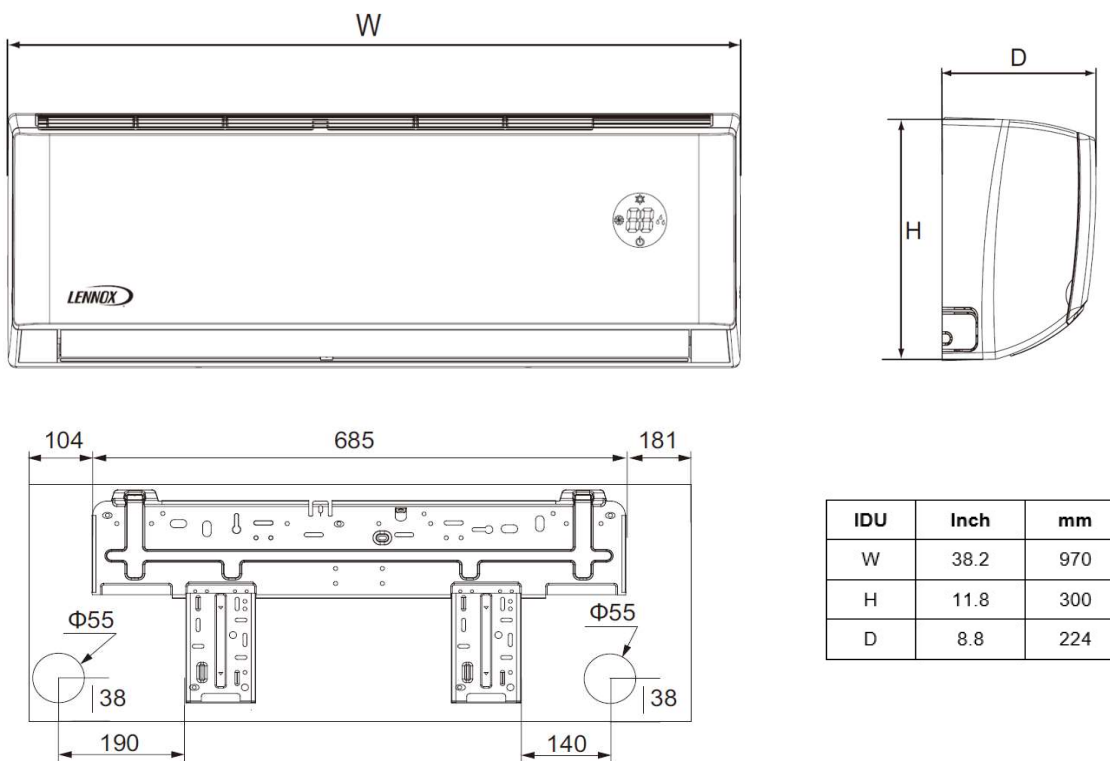
Y6185

Power Supply	2 AAA Batteries (Included)
Setpoint Range	61°F(16°C) - 86°F(30°C)
Effective Receiving Range	26 ft.(8m)

DISPLAY

I feel - Ajuste de la velocidad del ventilador
 Función de calefacción 8° C - Enviar señal
 Modo de operación - Modo turbo - Operación de ventilación
 Modo automático - Función de saludable
 Modo de enfriamiento - Modo X - fan
 Modo de secado - Temperatura ajustada
 Modo de ventilación - Tiempo ajustado
 Modo calentamiento - Temporizador activado / Temporizador desactivado
 Reloj - Bloqueo infantil
 Modo reposo - Dirección arriba y abajo
 Luz -
 Tipo de temperatura mostrada
 Temperatura ajustada Temperatura ambiente interior
 Temperatura ambiente exterior

INDOOR DIMENSIONAL DRAWINGS - INCHES (MM)



NOTE – Due to Lennox' ongoing commitment to quality, Specifications, Ratings, and Dimensions are subject to change without notice and without incurring liability. Improper installation, adjustment, alteration, service or maintenance can cause property damage or personal injury. Installation and service must be performed by a qualified installer and servicing agency