



**SUBMITTAL DATA – WALL-MOUNTED
LM024HO-115P432-1X - LM024HI-115P432-1X
SINGLE ZONE MINI-SPLIT HEAT PUMP**

Job: _____
 Location: _____
 Schedule No.: _____
 System Designation: _____

Engineer: _____
 Architect: _____
 Date: _____

FEATURES

Outdoor Unit: **LM024HO-115P432-1X**
 Outdoor Unit Cat Number: **19U69**

Indoor Unit: **LM024HI-115P432-1X**
 Indoor Unit Cat Number: **19U68**



- 3 Meter Copper Pipe Included

- Auto Restart
- Four Selectable Fan Speeds
- Hidden LED Display
- Wireless Remote Included
- I Feel Function

PIPING

Line Set and Elevation Guidelines

Maximum Line Set Length ft. (m)	82 ft. (25 m)
Maximum Elevation - Outdoor Unit Below/Above Indoor Unit ft. (m)	32.8 ft. (10 m)
Liquid Line Set Diameter (in.)	1/4"
Gas Line Set Diameter (in.)	5/8"

PRODUCT WARRANTY

5 Year Limited Warranty*

OPTIONAL ACCESORIES



NOTE – Due to Lennox’ ongoing commitment to quality, Specifications, Ratings, and Dimensions are subject to change without notice and without incurring liability. Improper installation, adjustment, alteration, service or maintenance can cause property damage or personal injury. Installation and service must be performed by a qualified installer and servicing agency



**SUBMITTAL DATA – WALL-MOUNTED
LM024HO-115P432-1X - LM024HI-115P432-1X
SINGLE ZONE MINI-SPLIT HEAT PUMP**

OUTDOOR SPECIFICATIONS

PERFORMANCE

Cooling Capacity (Btu/h)	22,000
EER(W/W)	2.8
REEE(BTUH/W)	11.3
Heating Capacity (Btu/h)	23,202
COP	3.24

Outdoor Fan Total Air Volume (CFM)	1,765
Ambient Temperature Operating Range	
Cooling	64°F(18°C) - 118°F(48°C)
Heating	19°F(-7°C) - 75°F(24°C)

ELECTRICAL DATA

Power Supply (V/Hz/ϕ)	Supplied by IDU
Minimum Circuit Ampacity (A)	/
Maximum Overcurrent Protection (A)	/
Outdoor Fan Motor RLA (A)	.44
Compressor RLA (A)	8.55
No. of Compressors	1

GENERAL DATA

Connection Ratio (%)	100%
Max. # of Indoor Units	1
Sound Data (dBA) - Cooling/Heating	54
Refrigerant type	R-410A
Factory refrigerant charge	3.53 lbs. 56.4 oz.

DIMENSIONS

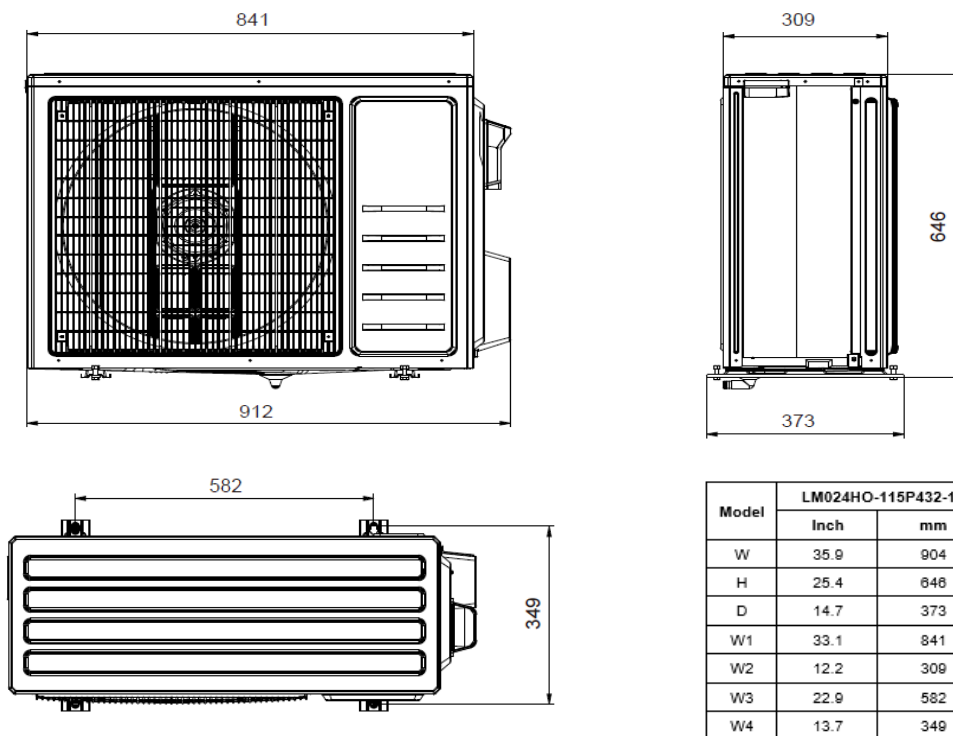
Unit Dimensions (in)	Height	25.4
	Width	35.9
	Depth	14.7

Shipping Weight (lb)	116.9
Net Weight (lb)	110.2

NOTES

- Cooling and Heating Capacity data is rated at the following conditions:
Cooling: 80°FDB / 66°FWB Indoor, 95°FDB/75°FWB Outdoor
Heating: 68°FDB / 59°FWB Indoor, 44.6°FDB/ 42.8°FWB Outdoor

OUTDOOR DIMENSIONAL DRAWINGS - INCHES (MM)



NOTE – Due to Lennox’ ongoing commitment to quality, Specifications, Ratings, and Dimensions are subject to change without notice and without incurring liability. Improper installation, adjustment, alteration, service or maintenance can cause property damage or personal injury. Installation and service must be performed by a qualified installer and servicing agency



**SUBMITTAL DATA – WALL-MOUNTED
LM024HO-115P432-1X - LM024HI-115P432-1X
SINGLE ZONE MINI-SPLIT HEAT PUMP**

INDOOR SPECIFICATIONS

PERFORMANCE

Airflow (CFM)	Turbo	765
	High	677
	Medium	588
	Low	500
External Static Pressure (in. w.g.)		-
Sound Pressure (dBA)	Turbo	49
	High	46
	Medium	41
	Low	37

ELECTRICAL DATA

Power Supply (V/Hz/ϕ)	220/60/1
Rated load amps (RLA)	.32
Power Output (W)	35

ELECTRICAL DATA

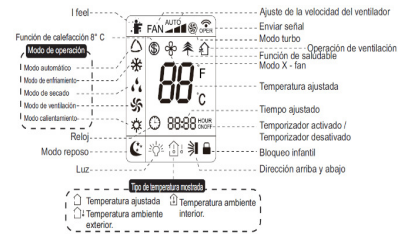
Unit Dimensions (in)	Height	12.8
	Width	42.4
	Depth	9.7
Unit Net/Shipping Weight (lb)		36.4/44.1

WIRELESS REMOTE CONTROLLER SPECIFICATION

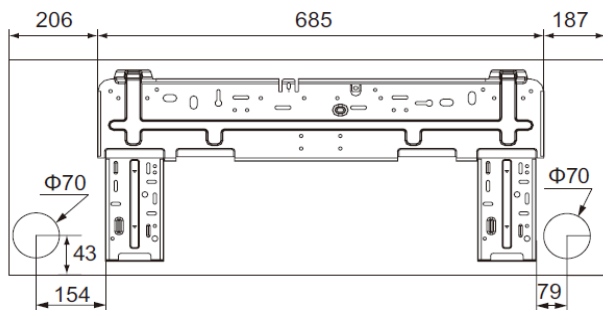
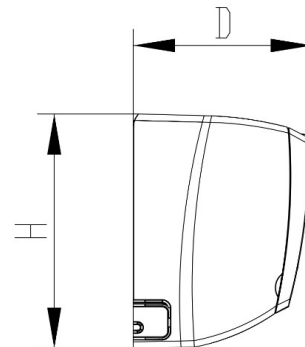
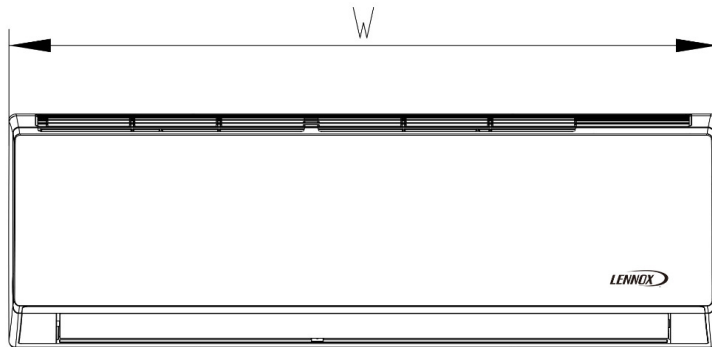
Y6185

Power Supply	2 AAA Batteries (Included)
Setpoint Range	61 °F(16°C) - 86 °F(30°C)
Effective Receiving Range	26 ft.(8m)

DISPLAY



INDOOR DIMENSIONAL DRAWINGS - INCHES (MM)



Model	LM024HI-115P432-1X	
	Inch	mm
W	42.4	1078
H	12.8	325
D	9.7	248

NOTE – Due to Lennox' ongoing commitment to quality, Specifications, Ratings, and Dimensions are subject to change without notice and without incurring liability. Improper installation, adjustment, alteration, service or maintenance can cause property damage or personal injury. Installation and service must be performed by a qualified installer and servicing agency