



**SUBMITTAL DATA – WALL-MOUNTED**  
**LI024HO-160P432-1 - LI024HI-160P432-1**  
**SINGLE ZONE INVERTER MINI-SPLIT HEAT PUMP**

**Job:** \_\_\_\_\_  
**Location:** \_\_\_\_\_  
**Schedule No.:** \_\_\_\_\_  
**System Designation:** \_\_\_\_\_

**Engineer:** \_\_\_\_\_  
**Architect:** \_\_\_\_\_  
**Date:** \_\_\_\_\_  
**For:**  Reference  Approval  Review  Construction

**FEATURES**

**Outdoor Unit: LI024HO-160P432-1**  
**CAT No.: 20Y18**



- Golden Fin
- Low Ambient Cooling
- Low Ambient Heating
- Low Voltage Startup
- 3 Meter Copper Pipe Included

**Indoor Unit: LI024HI-160P432-1**  
**CAT No.: 20Y17**



- Auto Restart
- Four Selectable Fan Speeds
- Hidden LED Display
- Wireless Remote Included
- Photocatalytic Filter Included

**Line Set and Elevation Guidelines**

Maximum Line Set Length ft. (m)	82 ft. (25 m)
Maximum Elevation - Outdoor Unit Below/Above Indoor Unit ft. (m)	32.8 ft. (10 m)
Liquid Line Set Diameter (in.)	1/4"
Gas Line Set Diameter (in.)	5/8"

**PRODUCT WARRANTY**

Five year limited warranty\*

**OPTIONAL ACCESSORIES**

Wifi Module(Y9840, WSBTE04) \_\_\_\_\_  
 Programmable Wired Control(19F47, XK76) \_\_\_\_\_  
 Non Programmable Wired Control(19F49, XE71-44/G) \_\_\_\_\_



NOTE – Due to Lennox' ongoing commitment to quality, Specifications, Ratings, and Dimensions are subject to change without notice and without incurring liability. Improper installation, adjustment, alteration, service or maintenance can cause property damage or personal injury. Installation and service must be performed by a qualified installer and servicing agency.



**SUBMITTAL DATA – WALL-MOUNTED**  
**LI024HO-160P432-1 - LI024HI-160P432-1**  
**SINGLE ZONE INVERTER MINI-SPLIT HEAT PUMP**

**OUTDOOR SPECIFICATIONS**

PERFORMANCE	
Cooling Capacity (Btu/h) <sup>1</sup>	22,000
EER	3.31
SEER	19
Heating Capacity (Btu/h) <sup>1</sup>	24,000
HSPF	10
Outdoor Fan Total Air Volume (CFM)	1882
Ambient Temperature Operating Range	
Cooling	0°F(-18°C) - 115°F(46°C)
Heating	-4°F(-20°C) - 75°F(24°C)

ELECTRICAL DATA	
Power Supply (V/Hz/Φ)	208-230/60/1
Minimum Circuit Ampacity (A)	19
Maximum Overcurrent Protection (A)	30
Outdoor Fan Motor RLA (A)	0.65
Compressor RLA (A)	13
No. of Compressors	1

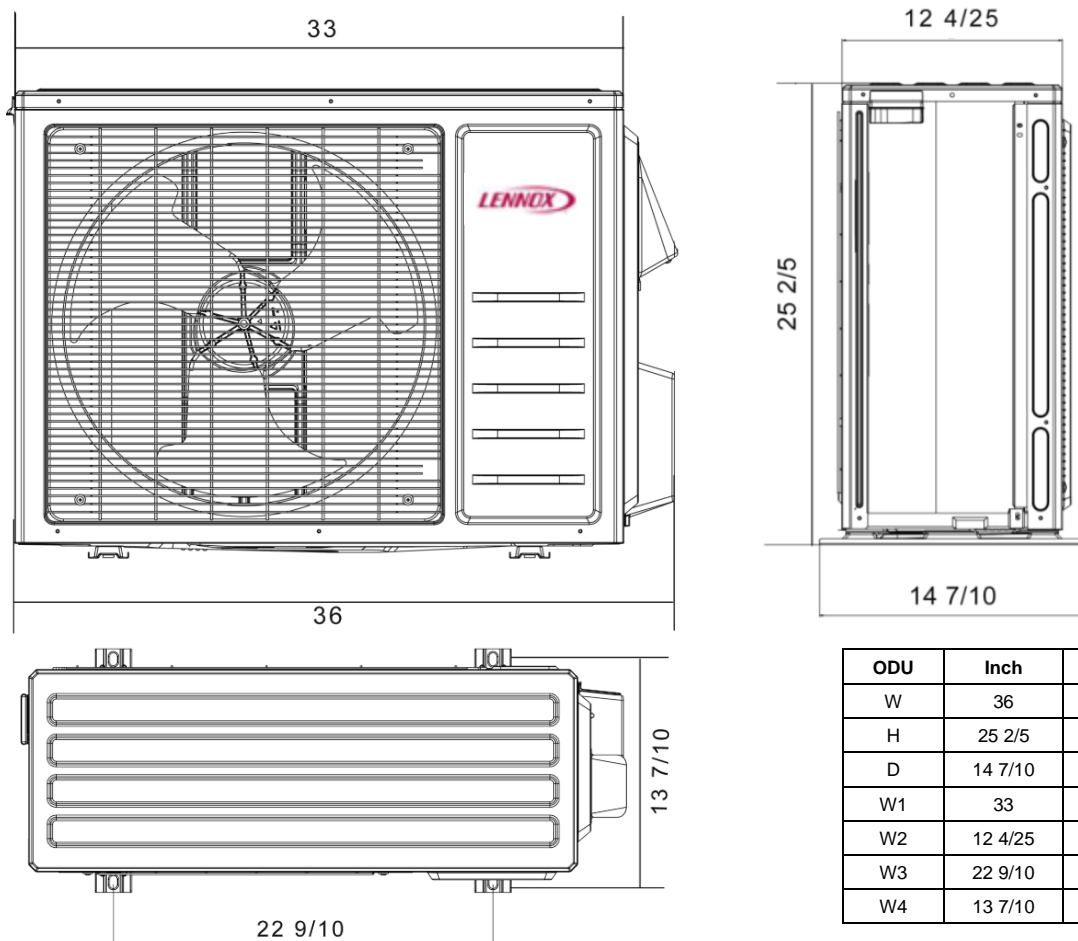
GENERAL DATA	
Connection Ratio (%)	100%
Max. # of Indoor Units	1 unit
Sound Pressure (dBA)	59
Refrigerant type	R-410A
Factory refrigerant charge	3.3 lbs. 52.9 oz.

DIMENSIONS		
Unit Dimensions (in)	Height	25-2/5
	Width	36
	Depth	14-7/10
Shipping Weight (lb)		103.6
Net Weight (lb)		97

**NOTES**

Cooling and Heating Capacity data is rated at the following conditions:  
 Cooling: 80°FDB / 66.9°FWB Indoor, 95°FDB/75°FWB Outdoor  
 Heating: 70°FDB / 60°FWB Indoor, 19.94°FDB/ 19.04°FWB Outdoor

**OUTDOOR DIMENSIONAL DRAWINGS - INCHES (MM)**



NOTE – Due to Lennox' ongoing commitment to quality, Specifications, Ratings, and Dimensions are subject to change without notice and without incurring liability. Improper installation, adjustment, alteration, service or maintenance can cause property damage or personal injury. Installation and service must be performed by a qualified installer and servicing agency.



**SUBMITTAL DATA – WALL-MOUNTED**  
**LI024HO-160P432-1 - LI024HI-160P432-1**  
**SINGLE ZONE INVERTER MINI-SPLIT HEAT PUMP**

**INDOOR SPECIFICATIONS**

PERFORMANCE			
Airflow (CFM)	Turbo	677	
	High	588	
	Medium	471	
	Low	412	
External Static Pressure (in. w.g.)		-	
Sound Pressure (dBA)	Turbo	49	
	High	45	
	Medium	41	
	Low	37	

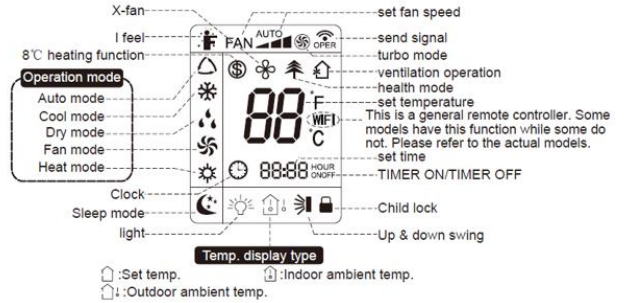
ELECTRICAL DATA	
Power Supply (V/Hz/Φ)	Supplied by ODU
Rated load amps (RLA)	0.55
Power Output (W)	30

DIMENSIONS		
Unit Dimensions (in)	Height	12-51/64
	Width	42-7/16
	Depth	9-11/16
Unit Net/Shipping Weight (lb)		37.5/45.2

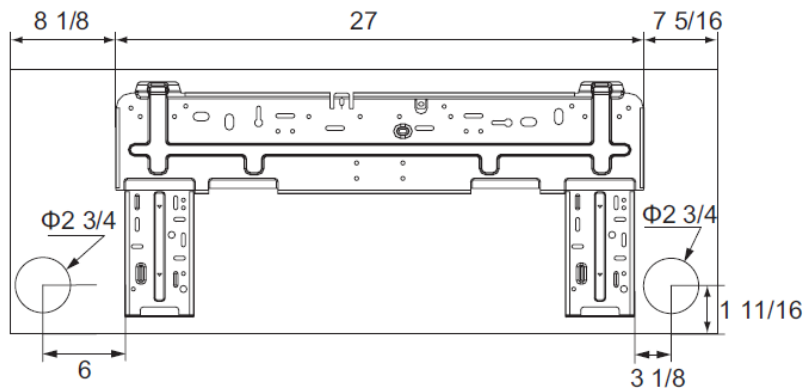
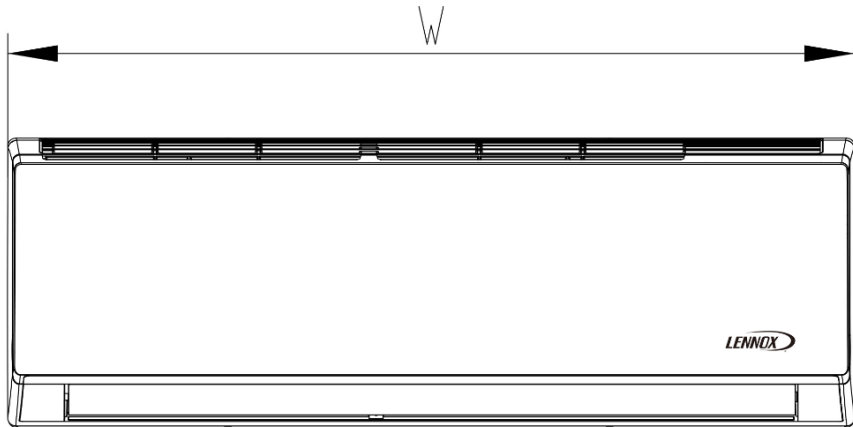
**WIRELESS REMOTE CONTROLLER SPECIFICATIONS**

Y6334	
Power Supply	2 AAA Batteries (Included)
Setpoint Range	61°F(16°C) - 86°F(30°C)
Effective Receiving Range	26 ft.(8m)

**DISPLAY**



**INDOOR DIMENSIONAL DRAWINGS - INCHES (MM)**



IDU	Inch	mm
W	42-7/16	1078
H	12-51/64	325
D	9-11/16	246

NOTE – Due to Lennox' ongoing commitment to quality, Specifications, Ratings, and Dimensions are subject to change without notice and without incurring liability. Improper installation, adjustment, alteration, service or maintenance can cause property damage or personal injury. Installation and service must be performed by a qualified installer and servicing agency.