



**SUBMITTAL DATA – WALL-MOUNTED  
LI012CO-180V432 - LI012CI-180V432  
SINGLE ZONE INVERTER MINI-SPLIT COOLING ONLY**

Job: \_\_\_\_\_  
 Location: \_\_\_\_\_  
 Schedule No.: \_\_\_\_\_  
 System Designation: \_\_\_\_\_

Engineer: \_\_\_\_\_  
 Architect: \_\_\_\_\_  
 Date: \_\_\_\_\_

**FEATURES**

Outdoor Unit: **LI012CO-180V432**  
 Outdoor Unit Cat Number: **Y8366**

Indoor Unit: **LI012CI-180V432**  
 Indoor Unit Cat Number: **Y8365**



- DC Inverter Compressor
- DC ODU Motor
- Golden Fin
- Low Ambient Cooling
- Low Voltage Startup
- 3 Meter Copper Pipe Included

- Auto Restart
- Four Selectable Fan Speeds
- Hidden LED Display
- Wireless Remote Included
- Carbon Filter Included
- I Feel Function

**PIPING**

Line Set and Elevation Guidelines	
Maximum Line Set Length ft. (m)	65.6 ft. (20 m)
Maximum Elevation - Outdoor Unit Below/Above Indoor Unit ft. (m)	32.8 ft. (10 m)
Liquid Line Set Diameter (in.)	1/4"
Gas Line Set Diameter (in.)	3/8"

**PRODUCT WARRANTY**

5 Year Limited Warranty\*

**OPTIONAL ACCESORIES**

Wifi Module(Y9840, WSBTC04)  
 Programmable Wired Control(19F47, XK76)  
 Non Programmable Wired Control(19F49, XE71-44/G)



**NOTE** – Due to Lennox' ongoing commitment to quality, Specifications, Ratings, and Dimensions are subject to change without notice and without incurring liability. Improper installation, adjustment, alteration, service or maintenance can cause property damage or personal injury. Installation and service must be performed by a qualified installer and servicing agency



**SUBMITTAL DATA – WALL-MOUNTED**  
**LI012CO-180V432 - LI012CI-180V432**  
**SINGLE ZONE INVERTER MINI-SPLIT COOLING ONLY**

**OUTDOOR SPECIFICATIONS**

PERFORMANCE	
Cooling Capacity (Btu/h)	12,000
EER(W/W)	3.05
SEER(BTUH/W)	18
Heating Capacity (Btu/h)	/
COP	/

Outdoor Fan Total Air Volume (CFM)	1,059
Ambient Temperature Operating Range	
Cooling	0°F(-18°C) - 115°F(46°C)
Heating	/

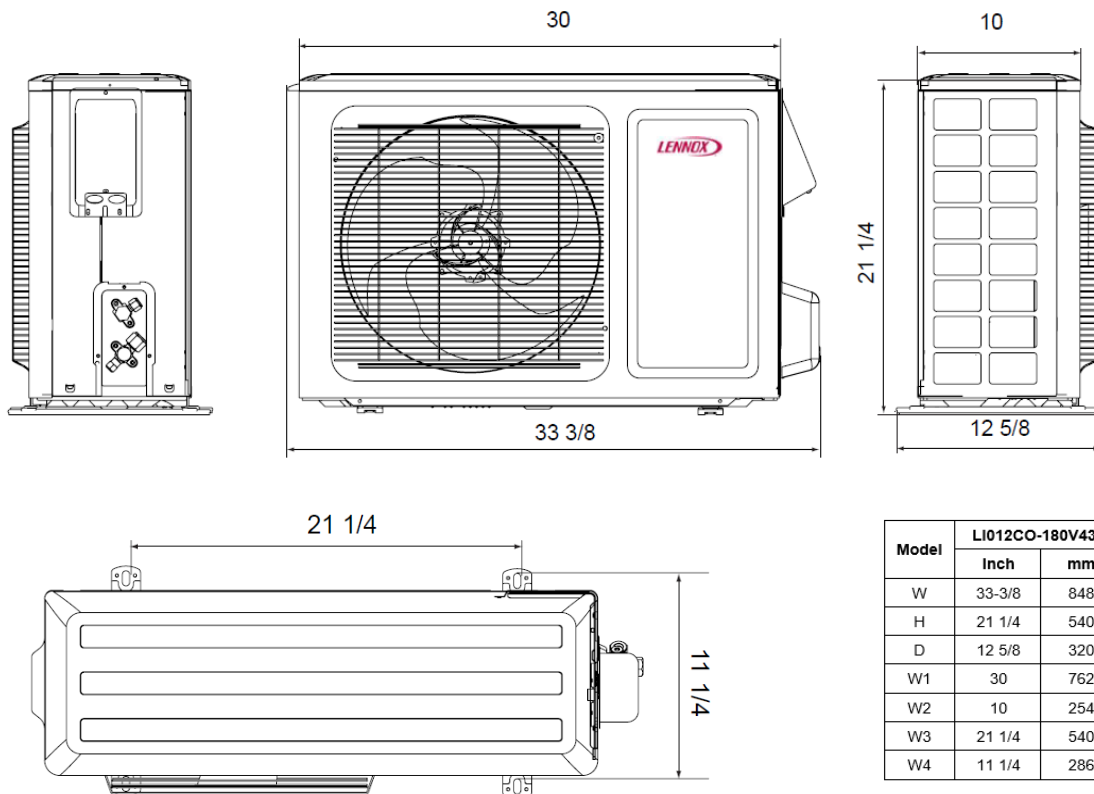
ELECTRICAL DATA	
Power Supply (V/Hz/ϕ)	115/60/1
Minimum Circuit Ampacity (A)	20
Maximum Overcurrent Protection (A)	30
Outdoor Fan Motor RLA (A)	.23
Compressor RLA (A)	15.23
No. of Compressors	1

GENERAL DATA	
Connection Ratio (%)	100%
Max. # of Indoor Units	1
Sound Data (dBA) - Cooling/Heating	53
Refrigerant type	R-410A
Factory refrigerant charge	1.99 lbs. 31.8 oz.

DIMENSIONS		
Unit Dimensions (in)	Height	21-1/4
	Width	33-3/8
	Depth	12-5/8
Shipping Weight (lb)		69.5
Net Weight (lb)		63.9

**NOTES**  
 1. Cooling and Heating Capacity data is rated at the following conditions:  
 Cooling: 80°FDB / 67°FWB Indoor, 95°FDB/75°FWB Outdoor  
 Heating: 70°FDB / 60°FWB Indoor, 19.94°FDB/ 19.04°FWB Outdoor

**OUTDOOR DIMENSIONAL DRAWINGS - INCHES (MM)**



**NOTE** – Due to Lennox' ongoing commitment to quality, Specifications, Ratings, and Dimensions are subject to change without notice and without incurring liability. Improper installation, adjustment, alteration, service or maintenance can cause property damage or personal injury. Installation and service must be performed by a qualified installer and servicing agency



**SUBMITTAL DATA – WALL-MOUNTED  
LI012CO-180V432 - LI012CI-180V432  
SINGLE ZONE INVERTER MINI-SPLIT COOLING ONLY**

**INDOOR SPECIFICATIONS**

**PERFORMANCE**

Airflow (CFM)	Turbo	400
	High	318
	Medium	241
	Low	194
External Static Pressure (in. w.g.)		-
Sound Pressure (dBA)	Turbo	43
	High	39
	Medium	35
	Low	29

**ELECTRICAL DATA**

Power Supply (V/Hz/φ)	Supplied by ODU
Rated load amps (RLA)	.25
Power Output (W)	20

**DIMENSIONS**

Unit Dimensions (in)	Height	11-3/8
	Width	33-1/4
	Depth	8-1/4
Unit Net/Shipping Weight (lb)		23.2/27.6

**WIRELESS REMOTE CONTROLLER SPECIFICATIONS**

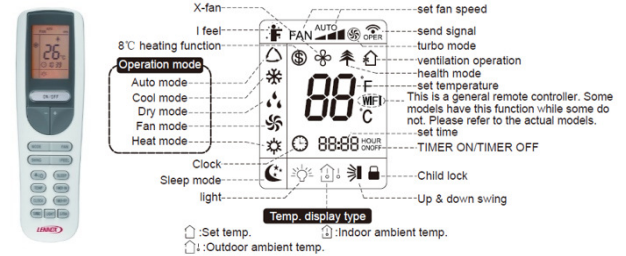
**Y6334**

Power Supply	2 AAA Batteries (Included)
--------------	----------------------------

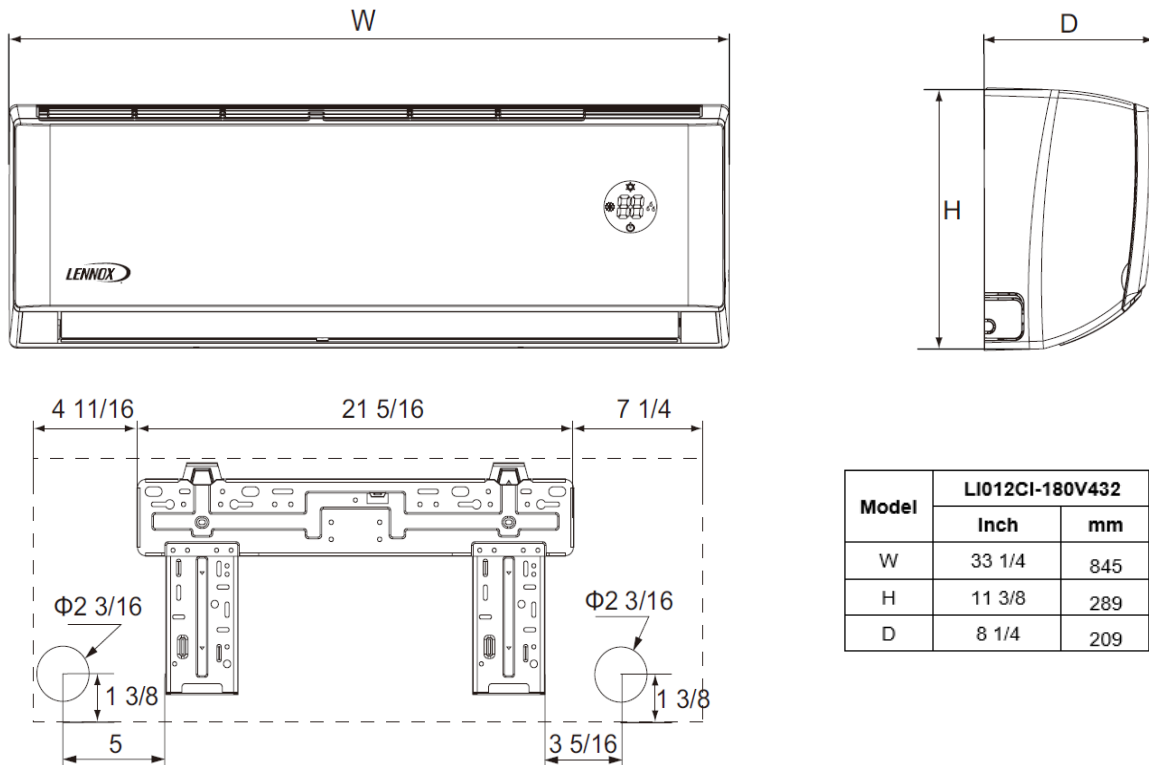
Setpoint Range	61 °F(16°C ) - 86 °F(30°C )
----------------	-----------------------------

Effective Receiving Range	26 ft.(8m)
---------------------------	------------

**DISPLAY**



**INDOOR DIMENSIONAL DRAWINGS - INCHES (MM)**



**NOTE** – Due to Lennox' ongoing commitment to quality, Specifications, Ratings, and Dimensions are subject to change without notice and without incurring liability. Improper installation, adjustment, alteration, service or maintenance can cause property damage or personal injury. Installation and service must be performed by a qualified installer and servicing agency