



**SUBMITTAL DATA – WALL-MOUNTED
LI036CO-180P432 - LI036CI-180P432
SINGLE ZONE INVERTER MINI-SPLIT COOLING ONLY**

Job: _____
Location: _____
Schedule No.: _____
System Designation: _____

Engineer: _____
Architect: _____
Date: _____

FEATURES

Outdoor Unit: **LI036CO-180P432**
Outdoor Unit Cat Number: **Y6670**

Indoor Unit: **LI036CI-180P432**
Indoor Unit Cat Number: **Y6669**



- DC Inverter Compressor
- DC ODU Motor
- Golden Fin
- Electronic Expansion Valve
- Low Ambient Cooling
- Low Voltage Startup
- 4 Meter Copper Pipe Included

- Auto Restart
- DC IDU Motor
- Four Selectable Fan Speeds
- Hidden LED Display
- Wireless Remote Included
- Carbon Filter Included
- I Feel Function

PIPING

Line Set and Elevation Guidelines

Maximum Line Set Length ft. (m)	100 ft. (30 m)
Maximum Elevation - Outdoor Unit Below/Above Indoor Unit ft. (m)	32.8 ft. (10 m)
Liquid Line Set Diameter (in.)	1/4"
Gas Line Set Diameter (in.)	5/8"

PRODUCT WARRANTY

5 Year Limited Warranty*

OPTIONAL ACCESORIES

Wifi Module(Y9840, WSBTC04)
Programmable Wired Control(19F47, XK76)
Non Programmable Wired Control(19F49, XE71-44/G)



NOTE – Due to Lennox’ ongoing commitment to quality, Specifications, Ratings, and Dimensions are subject to change without notice and without incurring liability. Improper installation, adjustment, alteration, service or maintenance can cause property damage or personal injury. Installation and service must be performed by a qualified installer and servicing agency



**SUBMITTAL DATA – WALL-MOUNTED
LI036CO-180P432 - LI036CI-180P432
SINGLE ZONE INVERTER MINI-SPLIT COOLING ONLY**

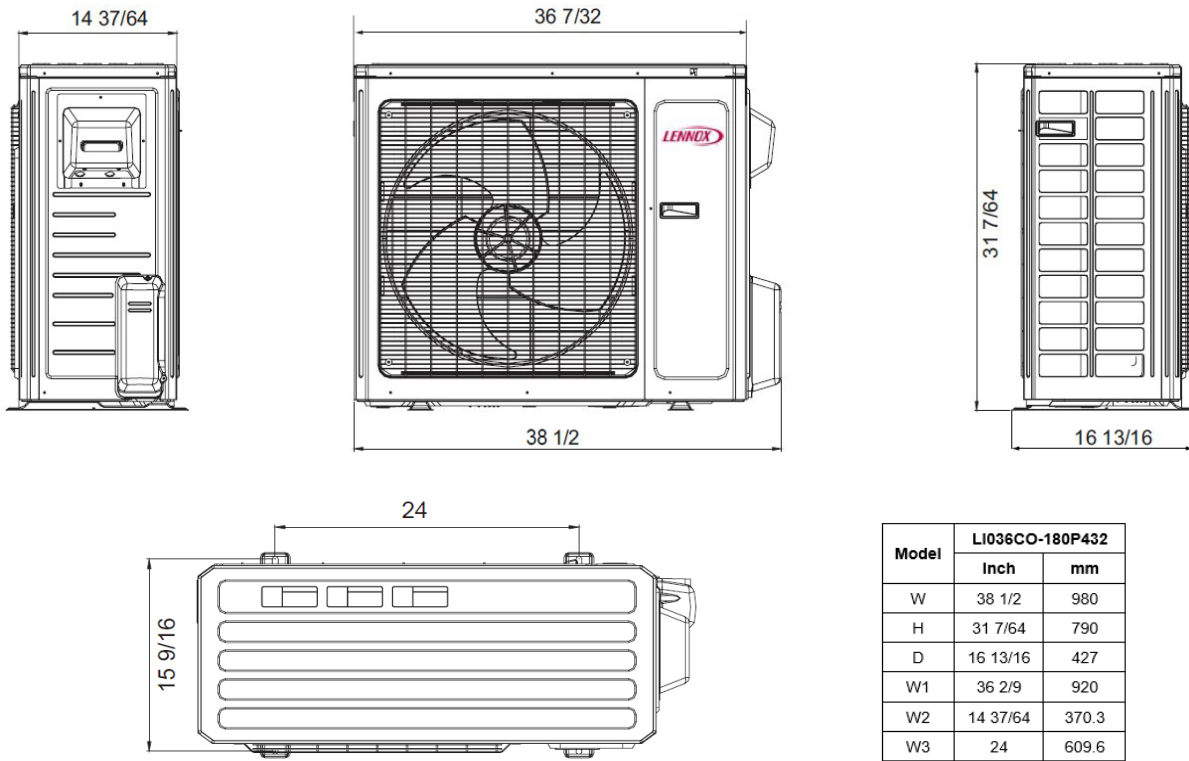
OUTDOOR SPECIFICATIONS

PERFORMANCE		GENERAL DATA	
Cooling Capacity (Btu/h)	33,600	Connection Ratio (%)	100%
EER(W/W)	2.4	Max. # of Indoor Units	1
SEER(BTUH/W)	18	Sound Data (dBA) - Cooling/Heating	65
Heating Capacity (Btu/h)	/	Refrigerant type	R-410A
COP	/	Factory refrigerant charge	5.29 lbs. 84.66 oz.

DIMENSIONS	
Outdoor Fan Total Air Volume (CFM)	2,588
Ambient Temperature Operating Range	
Cooling	0°F(-18°C) - 109°F(43°C)
Heating	/
Unit Dimensions (in)	Height 31-7/64
	Width 38-1/2
	Depth 16-13/16

ELECTRICAL DATA		NOTES	
Power Supply (V/Hz/ϕ)	208-230/60/1	1. Cooling and Heating Capacity data is rated at the following conditions:	
Minimum Circuit Ampacity (A)	24	Cooling: 80°FDB / 67°FWB Indoor, 95°FDB/75°FWB Outdoor	
Maximum Overcurrent Protection (A)	40	Heating: 70°FDB / 60°FWB Indoor, 19.94°FDB/ 19.04°FWB Outdoor	
Outdoor Fan Motor RLA (A)	.73		
Compressor RLA (A)	17.5		
No. of Compressors	1		

OUTDOOR DIMENSIONAL DRAWINGS - INCHES (MM)



Model	LI036CO-180P432	
	Inch	mm
W	38 1/2	980
H	31 7/64	790
D	16 13/16	427
W1	36 2/9	920
W2	14 37/64	370.3
W3	24	609.6
W4	15 9/16	395.3

NOTE – Due to Lennox’ ongoing commitment to quality, Specifications, Ratings, and Dimensions are subject to change without notice and without incurring liability. Improper installation, adjustment, alteration, service or maintenance can cause property damage or personal injury. Installation and service must be performed by a qualified installer and servicing agency



**SUBMITTAL DATA – WALL-MOUNTED
LI036CO-180P432 - LI036CI-180P432
SINGLE ZONE INVERTER MINI-SPLIT COOLING ONLY**

INDOOR SPECIFICATIONS

PERFORMANCE

Airflow (CFM)	Turbo	736
	High	647
	Medium	530
	Low	412
External Static Pressure (in. w.g.)		-
Sound Pressure (dBA)	Turbo	54
	High	49
	Medium	44
	Low	37

ELECTRICAL DATA

Power Supply (V/Hz/ϕ)	Supplied by ODU
Rated load amps (RLA)	.4
Power Output (W)	70

DIMENSIONS

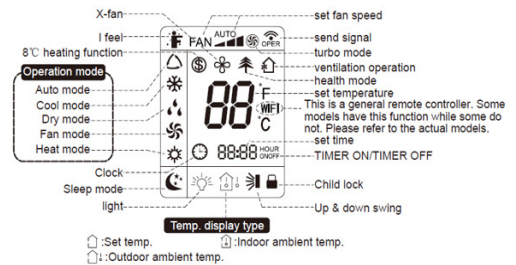
Unit Dimensions (in)	Height	12-53/64
	Width	53-9/64
	Depth	10
Unit Net/Shipping Weight (lb)		41.9/51.8

WIRELESS REMOTE CONTROLLER SPECIFICATIONS

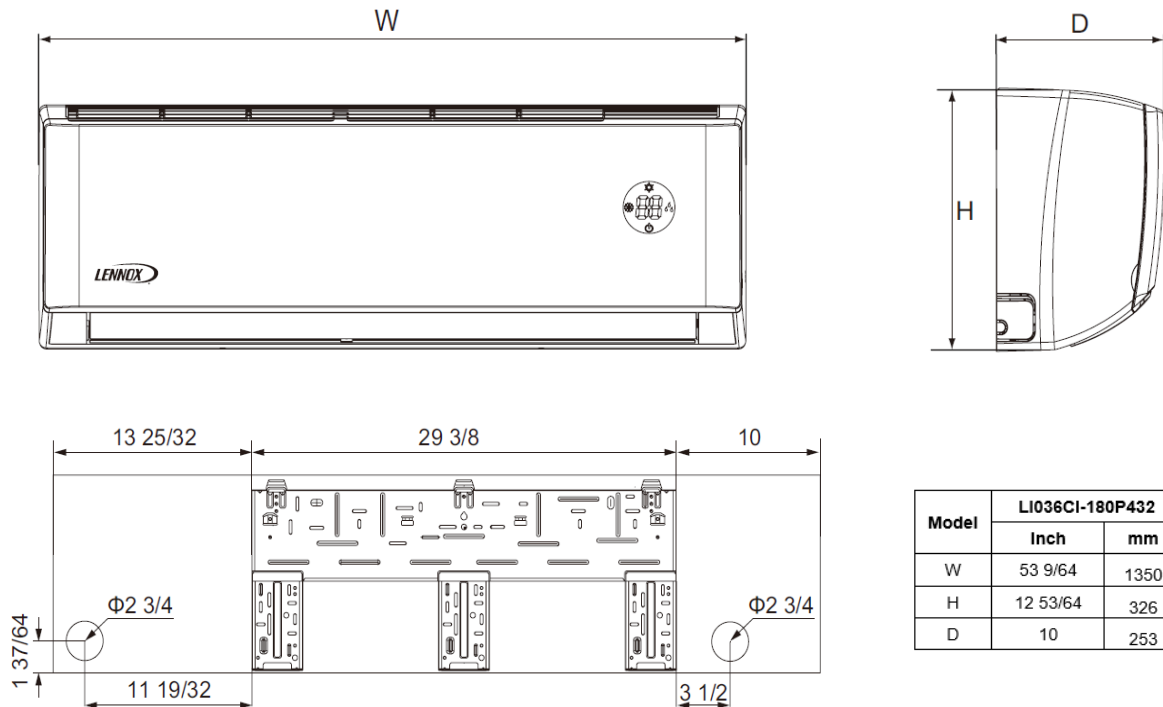
Y6334

Power Supply	2 AAA Batteries (Included)
Setpoint Range	61°F(16°C) - 86°F(30°C)
Effective Receiving Range	26 ft.(8m)

DISPLAY



INDOOR DIMENSIONAL DRAWINGS - INCHES (MM)



NOTE – Due to Lennox’ ongoing commitment to quality, Specifications, Ratings, and Dimensions are subject to change without notice and without incurring liability. Improper installation, adjustment, alteration, service or maintenance can cause property damage or personal injury. Installation and service must be performed by a qualified installer and servicing agency