



**SUBMITTAL DATA – WALL-MOUNTED
LI036HO-180P432 - LI036HI-180P432
SINGLE ZONE INVERTER MINI-SPLIT HEAT PUMP**

Job: _____
 Location: _____
 Schedule No.: _____
 System Designation: _____

Engineer: _____
 Architect: _____
 Date: _____

FEATURES

Outdoor Unit: **LI036HO-180P432**
 Outdoor Unit Cat Number: **Y6686**

Indoor Unit: **LI036HI-180P432**
 Indoor Unit Cat Number: **Y6685**



- DC Inverter Compressor
- DC ODU Motor
- Golden Fin
- Low Ambient Cooling
- Low Ambient Heating
- Low Voltage Startup
- 4 Meter Copper Pipe Included

- Auto Restart
- Four Selectable Fan Speeds
- Hidden LED Display
- Wireless Remote Included
- Carbon Filter Included
- I Feel Function

PIPING

Line Set and Elevation Guidelines

Maximum Line Set Length ft. (m)	100 ft. (30 m)
Maximum Elevation - Outdoor Unit Below/Above Indoor Unit ft. (m)	32.8 ft. (10 m)
Liquid Line Set Diameter (in.)	1/4"
Gas Line Set Diameter (in.)	5/8"

PRODUCT WARRANTY

5 Year Limited Warranty*

OPTIONAL ACCESORIES

- Wifi Module(Y9840, WSBTC04)
- Programmable Wired Control(19F47, XK76)
- Non Programmable Wired Control(19F49, XE71-44/G)



NOTE – Due to Lennox' ongoing commitment to quality, Specifications, Ratings, and Dimensions are subject to change without notice and without incurring liability. Improper installation, adjustment, alteration, service or maintenance can cause property damage or personal injury. Installation and service must be performed by a qualified installer and servicing agency



**SUBMITTAL DATA – WALL-MOUNTED
LI036HO-180P432 - LI036HI-180P432
SINGLE ZONE INVERTER MINI-SPLIT HEAT PUMP**

OUTDOOR SPECIFICATIONS

PERFORMANCE

Cooling Capacity (Btu/h)	33,600
EER(W/W)	2.4
SEER(BTUH/W)	18
Heating Capacity (Btu/h)	34,600
HSPF	9

Outdoor Fan Total Air Volume (CFM)	2,588
Ambient Temperature Operating Range	
Cooling	0°F(-18°C) - 109°F(43°C)
Heating	-4°F(-20°C) - 75°F(24°C)

ELECTRICAL DATA

Power Supply (V/Hz/ϕ)	208-230/60/1
Minimum Circuit Ampacity (A)	24
Maximum Overcurrent Protection (A)	40
Outdoor Fan Motor RLA (A)	.73
Compressor RLA (A)	17.5
No. of Compressors	1

GENERAL DATA

Connection Ratio (%)	100%
Max. # of Indoor Units	1
Sound Data (dBA) - Cooling/Heating	65
Refrigerant type	R-410A
Factory refrigerant charge	5.73 lbs. 91.71 oz.

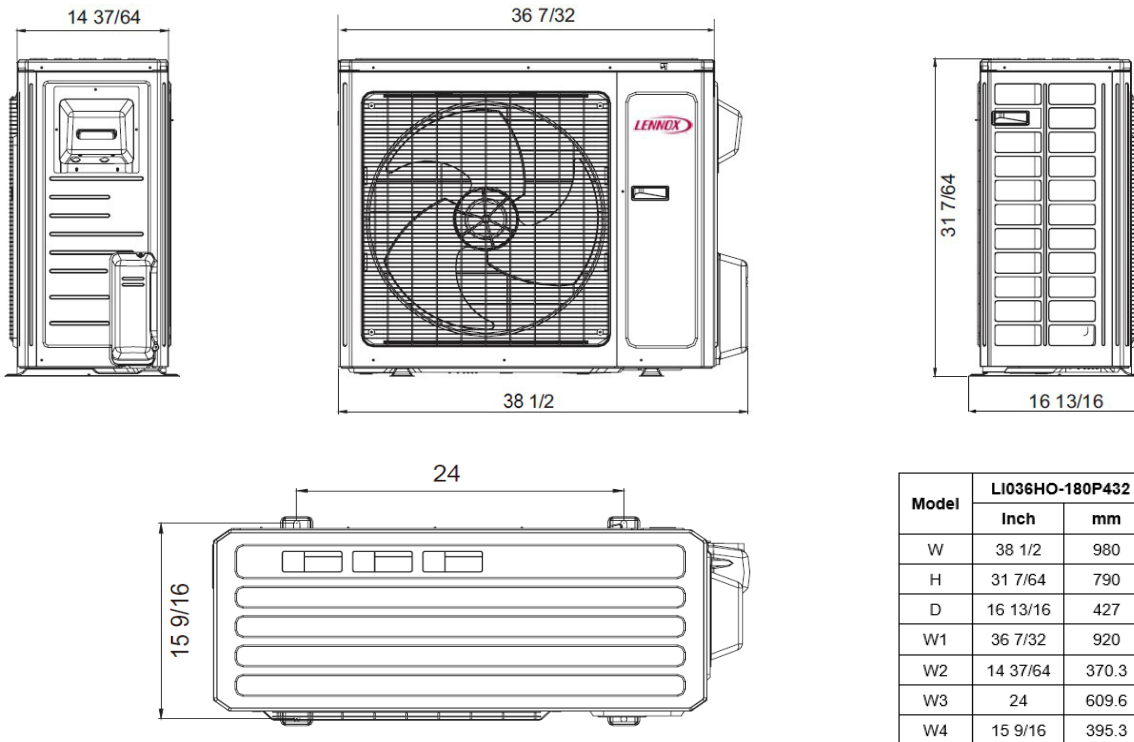
DIMENSIONS

Unit Dimensions (in)	Height	31-7/64
	Width	38 1/2
	Depth	16-13/16
Shipping Weight (lb)		172
Net Weight (lb)		161

NOTES

1. Cooling and Heating Capacity data is rated at the following conditions:
Cooling: 80°FDB / 67°F WB Indoor, 95°FDB/75°F WB Outdoor
Heating: 70°FDB / 60°F WB Indoor, 19.94°FDB/ 19.04°F WB

OUTDOOR DIMENSIONAL DRAWINGS - INCHES (MM)



NOTE – Due to Lennox’ ongoing commitment to quality, Specifications, Ratings, and Dimensions are subject to change without notice and without incurring liability. Improper installation, adjustment, alteration, service or maintenance can cause property damage or personal injury. Installation and service must be performed by a qualified installer and servicing agency



**SUBMITTAL DATA – WALL-MOUNTED
LI036HO-180P432 - LI036HI-180P432
SINGLE ZONE INVERTER MINI-SPLIT HEAT PUMP**

INDOOR SPECIFICATIONS

PERFORMANCE

Airflow (CFM)	Turbo	736
	High	647
	Medium	530
	Low	412
External Static Pressure (in. w.g.)		-
Sound Pressure (dBA)	Turbo	54
	High	49
	Medium	44
	Low	37

ELECTRICAL DATA

Power Supply (V/Hz/φ)	Supplied by ODU
Rated load amps (RLA)	.4
Power Output (W)	70

DIMENSIONS

Unit Dimensions (in)	Height	12-53/64
	Width	53-9/64
	Depth	10
Unit Net/Shipping Weight (lb)		41.9/51.8

WIRELESS REMOTE CONTROLLER SPECIFICATIO

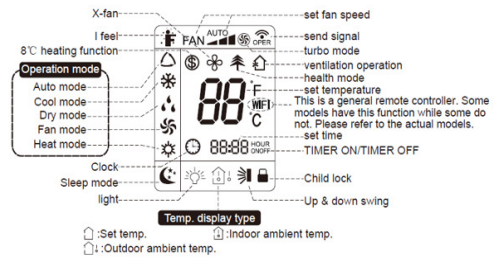
Y6334

Power Supply	2 AAA Batteries (Included)
--------------	-------------------------------

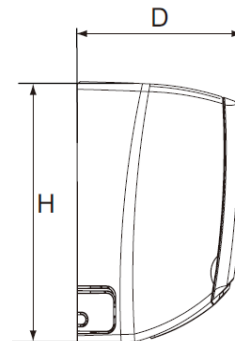
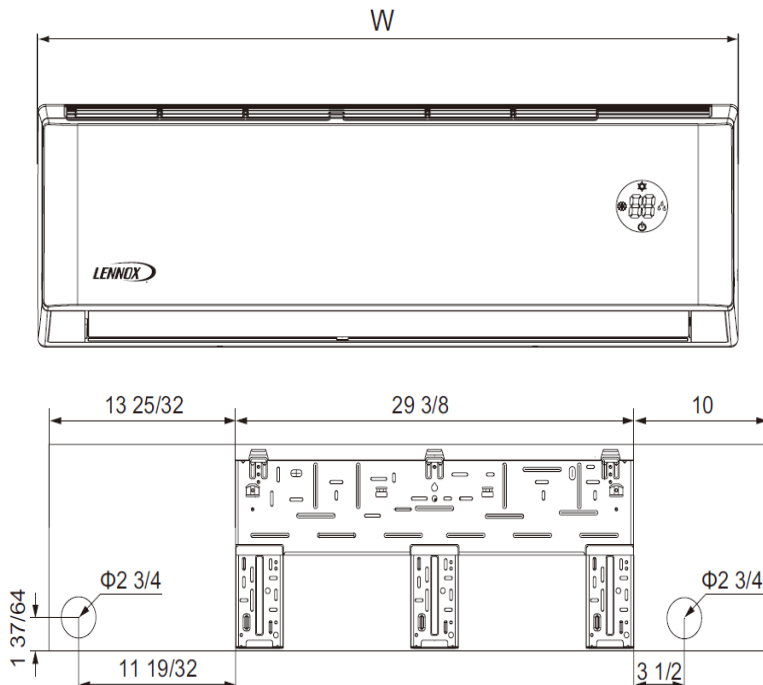
Setpoint Range	61 °F(16°C) - 86 °F(30°C)
----------------	-----------------------------

Effective Receiving Range	26 ft.(8m)
---------------------------	------------

DISPLAY



INDOOR DIMENSIONAL DRAWINGS - INCHES (MM)



Model	LI036HI-180P432	
	Inch	mm
W	53 9/64	1350
H	12 53/64	326
D	10	253

NOTE – Due to Lennox' ongoing commitment to quality, Specifications, Ratings, and Dimensions are subject to change without notice and without incurring liability. Improper installation, adjustment, alteration, service or maintenance can cause property damage or personal injury. Installation and service must be performed by a qualified installer and servicing agency