



**SUBMITTAL DATA – WALL-MOUNTED  
LI009HO-180V432 - LI009HI-180V432  
SINGLE ZONE INVERTER MINI-SPLIT HEAT PUMP**

Job: \_\_\_\_\_  
Location: \_\_\_\_\_  
Schedule No.: \_\_\_\_\_  
System Designation: \_\_\_\_\_

Engineer: \_\_\_\_\_  
Architect: \_\_\_\_\_  
Date: \_\_\_\_\_

**FEATURES**

Outdoor Unit: **LI009HO-180V432**  
Outdoor Unit Cat Number: **Y8376**

Indoor Unit: **LI009HI-180V432**  
Indoor Unit Cat Number: **Y8375**



- DC Inverter Compressor
- DC ODU Motor
- Golden Fin
- Low Ambient Cooling
- Low Ambient Heating
- Low Voltage Startup
- 3 Meter Copper Pipe Included

- Auto Restart
- Four Selectable Fan Speeds
- Hidden LED Display
- Wireless Remote Included
- Carbon Filter Included
- I Feel Function

**PIPING**

Line Set and Elevation Guidelines

Maximum Line Set Length ft. (m)	65.6 ft. (20 m)
Maximum Elevation - Outdoor Unit Below/Above Indoor Unit ft. (m)	32.8 ft. (10 m)
Liquid Line Set Diameter (in.)	1/4"
Gas Line Set Diameter (in.)	3/8"

**PRODUCT WARRANTY**

5 Year Limited Warranty\*

**OPTIONAL ACCESORIES**

- Wifi Module(Y9841, WSBTE05)
- Programmable Wired Control(19F47, XK76)
- Non Programmable Wired Control(19F49, XE71-44/G)



**NOTE** – Due to Lennox’ ongoing commitment to quality, Specifications, Ratings, and Dimensions are subject to change without notice and without incurring liability. Improper installation, adjustment, alteration, service or maintenance can cause property damage or personal injury. Installation and service must be performed by a qualified installer and servicing agency



**SUBMITTAL DATA – WALL-MOUNTED  
LI009HO-180V432 - LI009HI-180V432  
SINGLE ZONE INVERTER MINI-SPLIT HEAT PUMP**

**OUTDOOR SPECIFICATIONS**

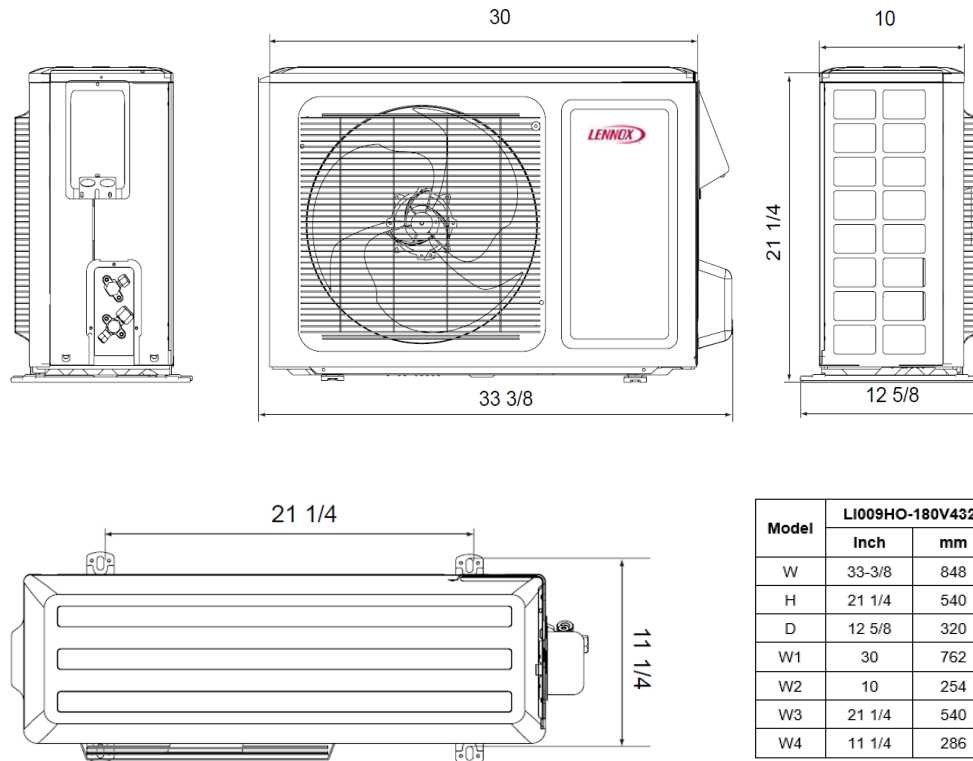
PERFORMANCE	
Cooling Capacity (Btu/h)	9,000
EER(W/W)	2.95
SEER(BTUH/W)	18
Heating Capacity (Btu/h)	9,601
HSPF	9
Outdoor Fan Total Air Volume (CFM)	1,059
Ambient Temperature Operating Range	
Cooling	0°F(-18°C) - 115°F(46°C)
Heating	-4°F(-20°C) - 75°F(24°C)
ELECTRICAL DATA	
Power Supply (V/Hz/ϕ)	115/60/1
Minimum Circuit Ampacity (A)	17
Maximum Overcurrent Protection (A)	25
Outdoor Fan Motor RLA (A)	.24
Compressor RLA (A)	12.62
No. of Compressors	1

GENERAL DATA	
Connection Ratio (%)	100%
Max. # of Indoor Units	1
Sound Data (dBA) - Cooling/Heating	53
Refrigerant type	R-410A
Factory refrigerant charge	1.54 lbs. 24.7 oz.

DIMENSIONS		
Unit Dimensions (in)	Height	21-1/4
	Width	33-3/8
	Depth	12-5/8
Shipping Weight (lb)		68.4
Net Weight (lb)		62.8

**NOTES**  
1. Cooling and Heating Capacity data is rated at the following conditions:  
Cooling: 80°FDB / 67°FWB Indoor, 95°FDB/75°FWB Outdoor  
Heating: 70°FDB / 60°FWB Indoor, 19.94°FDB/ 19.04°FWB Outdoor

**OUTDOOR DIMENSIONAL DRAWINGS - INCHES (MM)**



Model	LI009HO-180V432	
	Inch	mm
W	33-3/8	848
H	21 1/4	540
D	12 5/8	320
W1	30	762
W2	10	254
W3	21 1/4	540
W4	11 1/4	286

**NOTE** – Due to Lennox' ongoing commitment to quality, Specifications, Ratings, and Dimensions are subject to change without notice and without incurring liability. Improper installation, adjustment, alteration, service or maintenance can cause property damage or personal injury. Installation and service must be performed by a qualified installer and servicing agency



**SUBMITTAL DATA – WALL-MOUNTED  
LI009HO-180V432 - LI009HI-180V432  
SINGLE ZONE INVERTER MINI-SPLIT HEAT PUMP**

**INDOOR SPECIFICATIONS**

**PERFORMANCE**

Airflow (CFM)	Turbo	318
	High	288
	Medium	241
	Low	171
External Static Pressure (in. w.g.)		-
Sound Pressure (dBA)	Turbo	42
	High	38
	Medium	34
	Low	28

**ELECTRICAL DATA**

Power Supply (V/Hz/φ)	Supplied by ODU
Rated load amps (RLA)	.24
Power Output (W)	20

**DIMENSIONS**

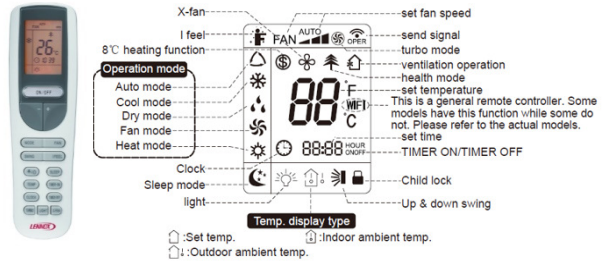
Unit Dimensions (in)	Height	10-53/64
	Width	31-7/64
	Depth	7-7/8
Unit Net/Shipping Weight (lb)		20.9/25.4

**WIRELESS REMOTE CONTROLLER SPECIFICATION**

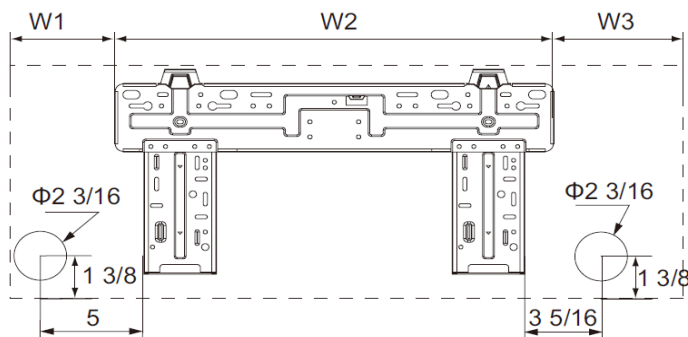
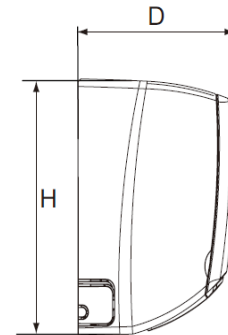
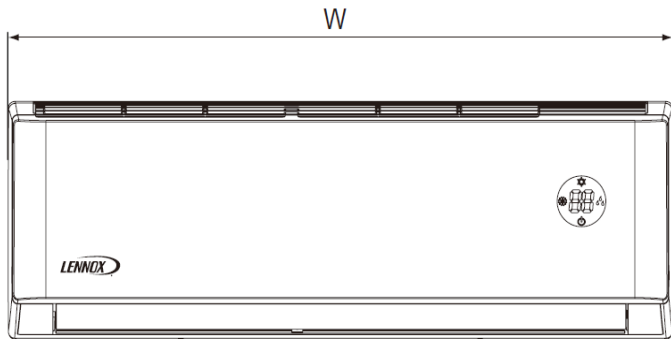
**Y6334**

Power Supply	2 AAA Batteries (Included)
Setpoint Range	61°F(16°C) - 86°F(30°C)
Effective Receiving Range	26 ft.(8m)

**DISPLAY**



**INDOOR DIMENSIONAL DRAWINGS - INCHES (MM)**



Model	LI009HI-180V432	
	Inch	mm
W	31-7/64	790
H	10-53/64	275
D	7-7/8	200

**NOTE** – Due to Lennox' ongoing commitment to quality, Specifications, Ratings, and Dimensions are subject to change without notice and without incurring liability. Improper installation, adjustment, alteration, service or maintenance can cause property damage or personal injury. Installation and service must be performed by a qualified installer and servicing agency