



**SUBMITTAL DATA – WALL-MOUNTED
LI018CO-210P432 - LI018CI-210P432
SINGLE ZONE INVERTER MINI-SPLIT COOLING ONLY**

Job: _____
 Location: _____
 Schedule No.: _____
 System Designation: _____

Engineer: _____
 Architect: _____
 Date: _____

FEATURES

Outdoor Unit: **LI018CO-210P432**
 Outdoor Unit Cat Number: **18J06**

Indoor Unit: **LI018CI-210P432**
 Indoor Unit Cat Number: **18J05**



- DC Inverter Compressor
- DC ODU Motor
- Golden Fin
- Electronic Expansion Valve
- Low Ambient Cooling
- Low Voltage Startup
- 3 Meter Copper Pipe Included

- Auto Restart
- Four Selectable Fan Speeds
- Hidden LED Display
- Wireless Remote Included
- Photocatalytic Filter Included
- I Feel Function

PIPING

Line Set and Elevation Guidelines	
Maximum Line Set Length ft. (m)	100 ft. (30 m)
Maximum Elevation - Outdoor Unit Below/Above Indoor Unit ft. (m)	50 ft. (15 m)
Liquid Line Set Diameter (in.)	1/4"
Gas Line Set Diameter (in.)	1/2"

PRODUCT WARRANTY

5 Year Limited Warranty*

OPTIONAL ACCESORIES

- Wifi Module(Y9840, WSBTC04)
- Programmable Wired Control(19F47, XK76)
- Non Programmable Wired Control(19F49, XE71-44/G)



NOTE – Due to Lennox' ongoing commitment to quality, Specifications, Ratings, and Dimensions are subject to change without notice and without incurring liability. Improper installation, adjustment, alteration, service or maintenance can cause property damage or personal injury. Installation and service must be performed by a qualified installer and servicing agency



**SUBMITTAL DATA – WALL-MOUNTED
LI018CO-210P432 - LI018CI-210P432
SINGLE ZONE INVERTER MINI-SPLIT COOLING ONLY**

OUTDOOR SPECIFICATIONS

PERFORMANCE	
Cooling Capacity (Btu/h)	17,400
EER(W/W)	2.95
SEER(BTUH/W)	20
Heating Capacity (Btu/h)	/
COP	/

Outdoor Fan Total Air Volume (CFM)	1,412
Ambient Temperature Operating Range	
Cooling	-4°F(-20°C) - 115°F(46°C)
Heating	/

ELECTRICAL DATA	
Power Supply (V/Hz/ϕ)	208-230/60/1
Minimum Circuit Ampacity (A)	12
Maximum Overcurrent Protection (A)	20
Outdoor Fan Motor RLA (A)	.62
Compressor RLA (A)	8.5
No. of Compressors	1

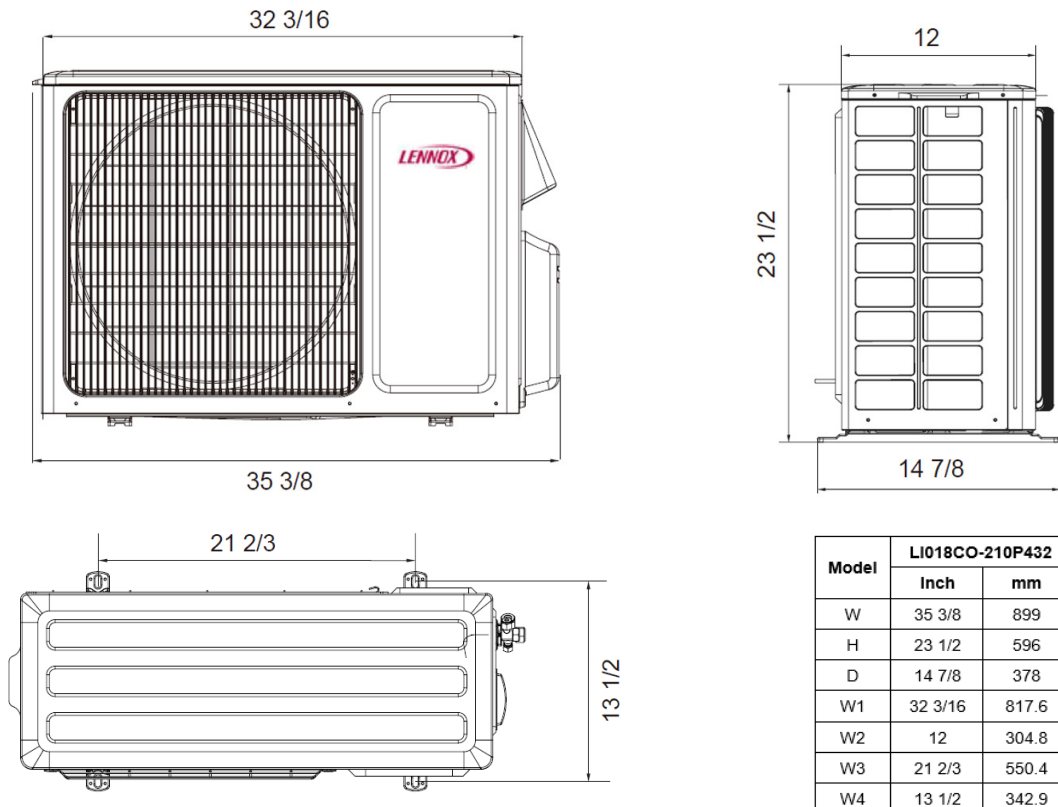
GENERAL DATA	
Connection Ratio (%)	100%
Max. # of Indoor Units	1
Sound Data (dBA) - Cooling/Heating	52
Refrigerant type	R-410A
Factory refrigerant charge	2.31 lbs. 37 oz.

DIMENSIONS		
Unit Dimensions (in)	Height	23-1/2
	Width	35-3/8
	Depth	14-7/8
Shipping Weight (lb)		87.1
Net Weight (lb)		80.5

NOTES

1. Cooling and Heating Capacity data is rated at the following conditions:
Cooling: 80°FDB / 67°FWB Indoor, 95°FDB/75°FWB Outdoor
Heating: 70°FDB / 60°FWB Indoor, 19.94°FDB/ 19.04°FWB Outdoor

OUTDOOR DIMENSIONAL DRAWINGS - INCHES (MM)



NOTE – Due to Lennox' ongoing commitment to quality, Specifications, Ratings, and Dimensions are subject to change without notice and without incurring liability. Improper installation, adjustment, alteration, service or maintenance can cause property damage or personal injury. Installation and service must be performed by a qualified installer and servicing agency



**SUBMITTAL DATA – WALL-MOUNTED
LI018CO-210P432 - LI018CI-210P432
SINGLE ZONE INVERTER MINI-SPLIT COOLING ONLY**

INDOOR SPECIFICATIONS

PERFORMANCE

Airflow (CFM)	Turbo	530
	High	441
	Medium	412
	Low	335
External Static Pressure (in. w.g.)		-
Sound Pressure (dBA)	Turbo	47
	High	42
	Medium	38
	Low	31

ELECTRICAL DATA

Power Supply (V/Hz/φ)	Supplied by ODU
Rated load amps (RLA)	.3
Power Output (W)	60

DIMENSIONS

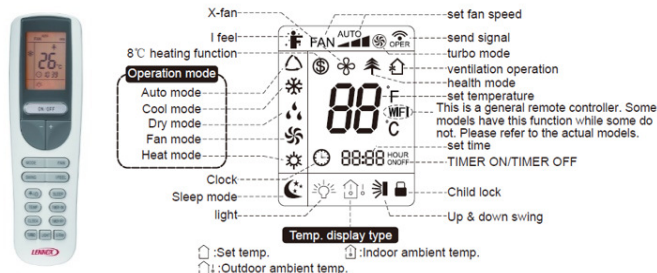
Unit Dimensions (in)	Height	12
	Width	40
	Depth	8-45/64
Unit Net/Shipping Weight (lb)		29.8/36.4

WIRELESS REMOTE CONTROLLER SPECIFICATIONS

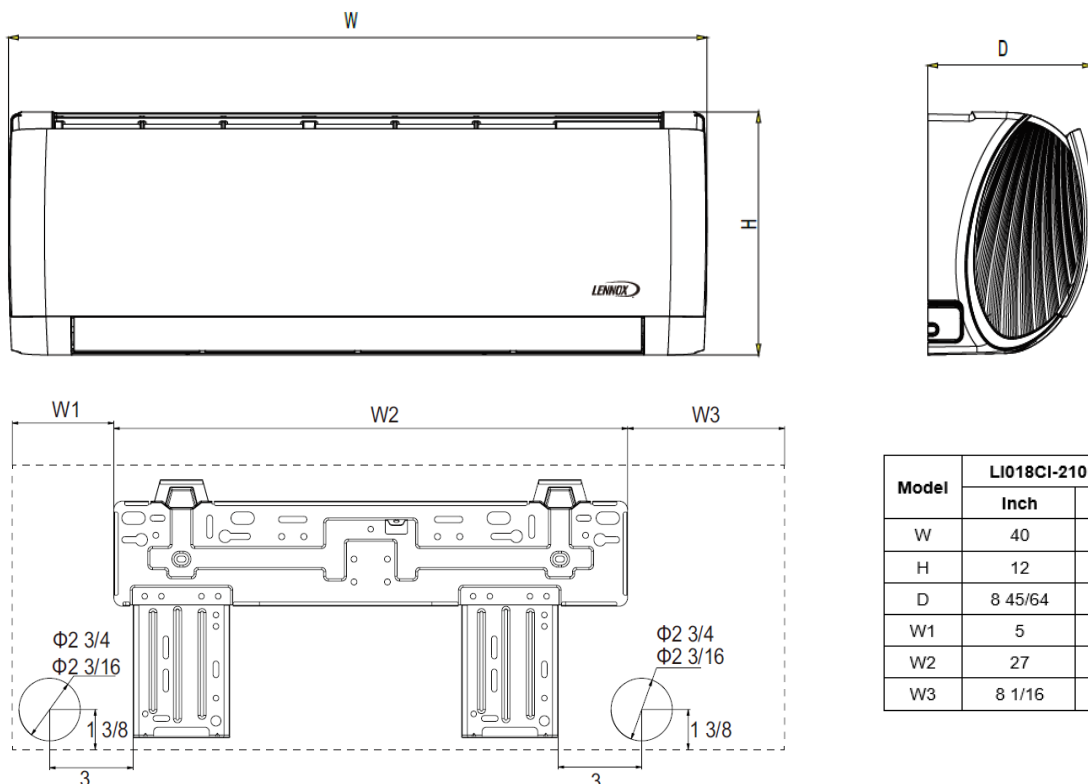
Y6334

Power Supply	2 AAA Batteries (Included)
Setpoint Range	61 °F(16°C) - 86 °F(30°C)
Effective Receiving Range	26 ft.(8m)

DISPLAY



INDOOR DIMENSIONAL DRAWINGS - INCHES (MM)



Model	LI018CI-210P432	
	Inch	mm
W	40	1017
H	12	304
D	8 45/64	221
W1	5	127
W2	27	685.8
W3	8 1/16	204.8

NOTE – Due to Lennox’ ongoing commitment to quality, Specifications, Ratings, and Dimensions are subject to change without notice and without incurring liability. Improper installation, adjustment, alteration, service or maintenance can cause property damage or personal injury. Installation and service must be performed by a qualified installer and servicing agency