



**SUBMITTAL DATA – WALL-MOUNTED
LI018HO-210P432 - LI018HI-210P432
SINGLE ZONE INVERTER MINI-SPLIT HEAT PUMP**

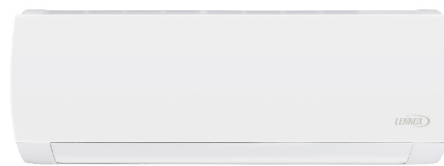
Job: _____
 Location: _____
 Schedule No.: _____
 System Designation: _____

Engineer: _____
 Architect: _____
 Date: _____

FEATURES

Outdoor Unit: **LI018HO-210P432**
 Outdoor Unit Cat Number: **18J23**

Indoor Unit: **LI018HI-210P432**
 Indoor Unit Cat Number: **18J22**



- DC Inverter Compressor
- DC ODU Motor
- Golden Fin
- Electronic Expansion Valve
- Low Ambient Cooling
- Low Ambient Heating
- Low Voltage Startup
- 3 Meter Copper Pipe Included

- Auto Restart
- Four Selectable Fan Speeds
- Hidden LED Display
- Wireless Remote Included
- Photocatalytic Filter Included
- I Feel Function

PIPING

Line Set and Elevation Guidelines	
Maximum Line Set Length ft. (m)	100 ft. (30 m)
Maximum Elevation - Outdoor Unit Below/Above Indoor Unit ft. (m)	50 ft. (15 m)
Liquid Line Set Diameter (in.)	1/4"
Gas Line Set Diameter (in.)	1/2"

PRODUCT WARRANTY

5 Year Limited Warranty*

OPTIONAL ACCESORIES

Wifi Module(Y9840, WSBTC04)
 Programmable Wired Control(19F47, XK76)
 Non Programmable Wired Control(19F49, XE71-44/G)



NOTE – Due to Lennox' ongoing commitment to quality, Specifications, Ratings, and Dimensions are subject to change without notice and without incurring liability. Improper installation, adjustment, alteration, service or maintenance can cause property damage or personal injury. Installation and service must be performed by a qualified installer and servicing agency



**SUBMITTAL DATA – WALL-MOUNTED
LI018HO-210P432 - LI018HI-210P432
SINGLE ZONE INVERTER MINI-SPLIT HEAT PUMP**

OUTDOOR SPECIFICATIONS

PERFORMANCE

Cooling Capacity (Btu/h)	18,000
EER(W/W)	3.1
SEER(BTUH/W)	20
Heating Capacity (Btu/h)	18,000
HSPF	10

Outdoor Fan Total Air Volume (CFM)	1,882
Ambient Temperature Operating Range	
Cooling	-4°F(-20°C) - 115°F(46°C)
Heating	-17°F(-25°C) - 75°F(24°C)

ELECTRICAL DATA

Power Supply (V/Hz/ϕ)	208-230/60/1
Minimum Circuit Ampacity (A)	13
Maximum Overcurrent Protection (A)	20
Outdoor Fan Motor RLA (A)	.65
Compressor RLA (A)	9.5
No. of Compressors	1

GENERAL DATA

Connection Ratio (%)	100%
Max. # of Indoor Units	1
Sound Data (dBA) - Cooling/Heating	58
Refrigerant type	R-410A
Factory refrigerant charge	3.087 lbs. 49.4 oz.

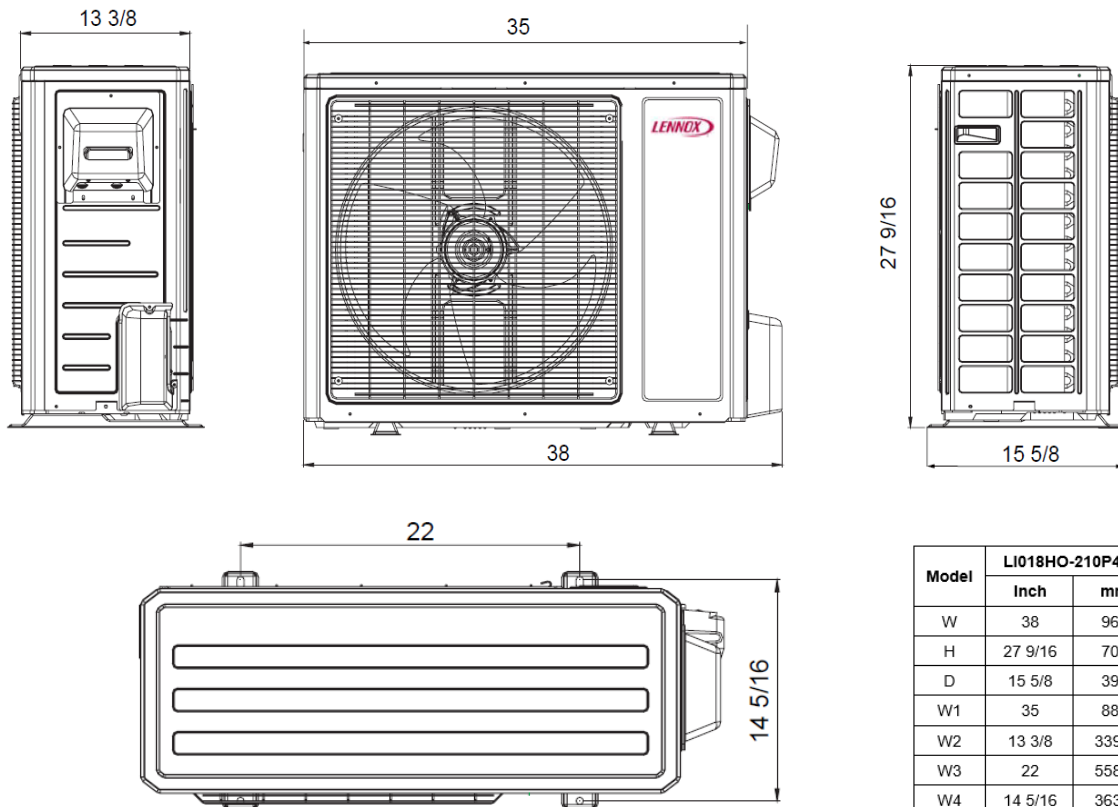
DIMENSIONS

Unit Dimensions (in)	Height	27-9/16
	Width	38
	Depth	15-5/8
Shipping Weight (lb)		111.4
Net Weight (lb)		104.7

NOTES

1. Cooling and Heating Capacity data is rated at the following conditions:
Cooling: 80°FDB / 67°FWB Indoor, 95°FDB/75°FWB Outdoor
Heating: 70°FDB / 60°FWB Indoor, 19.94°FDB/ 19.04°FWB Outdoor

OUTDOOR DIMENSIONAL DRAWINGS - INCHES (MM)



Model	LI018HO-210P432	
	Inch	mm
W	38	965
H	27 9/16	700
D	15 5/8	396
W1	35	889
W2	13 3/8	339.7
W3	22	558.8
W4	14 5/16	363.5

NOTE – Due to Lennox' ongoing commitment to quality, Specifications, Ratings, and Dimensions are subject to change without notice and without incurring liability. Improper installation, adjustment, alteration, service or maintenance can cause property damage or personal injury. Installation and service must be performed by a qualified installer and servicing agency



**SUBMITTAL DATA – WALL-MOUNTED
LI018HO-210P432 - LI018HI-210P432
SINGLE ZONE INVERTER MINI-SPLIT HEAT PUMP**

INDOOR SPECIFICATIONS

PERFORMANCE			
Airflow (CFM)	Turbo		530
	High		441
	Medium		412
	Low		335
External Static Pressure (in. w.g.)			-
Sound Pressure (dBA)	Turbo		47
	High		42
	Medium		38
	Low		31

ELECTRICAL DATA

Power Supply (V/Hz/φ)	Supplied by ODU		
Rated load amps (RLA)	.3		
Power Output (W)	60		

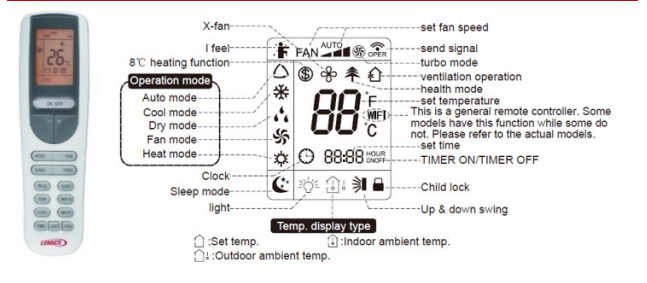
DIMENSIONS

Unit Dimensions (in)	Height	12	
	Width	40	
	Depth	8-45/64	
Unit Net/Shipping Weight (lb)		29.8/36.4	

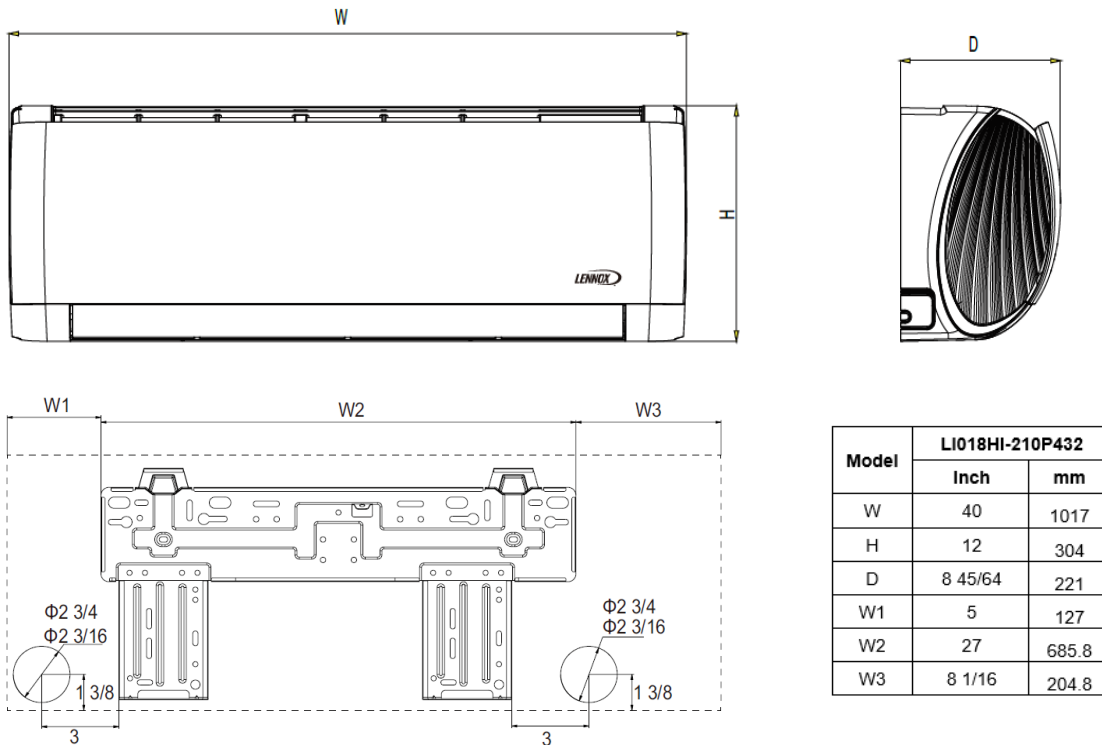
WIRELESS REMOTE CONTROLLER SPECIFICATION

Y6334	
Power Supply	2 AAA Batteries (Included)
Setpoint Range	61 °F(16°C) - 86 °F(30°C)
Effective Receiving Range	26 ft.(8m)

DISPLAY



INDOOR DIMENSIONAL DRAWINGS - INCHES (MM)



Model	LI018HI-210P432	
	Inch	mm
W	40	1017
H	12	304
D	8 45/64	221
W1	5	127
W2	27	685.8
W3	8 1/16	204.8

NOTE – Due to Lennox’ ongoing commitment to quality, Specifications, Ratings, and Dimensions are subject to change without notice and without incurring liability. Improper installation, adjustment, alteration, service or maintenance can cause property damage or personal injury. Installation and service must be performed by a qualified installer and servicing agency