



SUBMITTAL DATA - INDOOR UNIT
VEAH024N432U
VRF AIR HANDLER TYPE EVAPORATOR

Job Name: _____
 Location: _____
 Schedule No.: _____
 System Designation: _____

Engineer: _____
 Architect: _____
 Date: _____
 For: Reference Approval Review Construction

FEATURES

- Auto Addressing installation
- Auto Restart
- Horizontal or Vertical Installation
- Built-in Electronic Expansion Valve
- Optional Ambient Temp Sensor
- Washable Filter
- Anti-Freezing Protection

PRODUCT WARRANTY

All covered components - Five year limited warranty

SPECIFICATIONS

PERFORMANCE

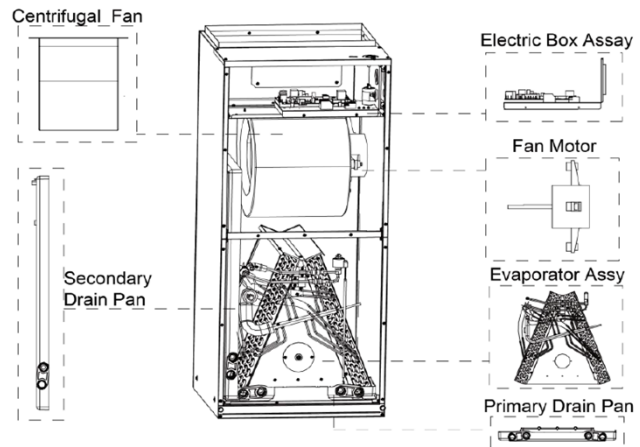
Cooling Capacity* (Btu/h)		24,225
Heating Capacity* (Btu/h)		27,296
Airflow (CFM)	High	941
	Medium	--
	Low	--
Sound Pressure Level (dBA)	H / M / L	50/-/-

ELECTRICAL DATA

Power Supply (V / Hz / Ph)		208-230/60/1
MOP (A)		6
Rated Current (A)	Cooling	1.52
	Heating	1.52

DIMENSIONS

Unit Dimensions (in)	Height	43 1/2
	Width	18 1/8
	Depth	21 1/4
Liquid Pipe Connection (in)		3/8
Gas Pipe Connection (in)		5/8
Shipping Weight (lb)		128.3
Net Weight (lb)		118.2



NOTES:

*Cooling and Heating Capacity data is rated at the following conditions:

Cooling: 80 °F DB / 67 °F WB Indoor, 95 °F DB Outdoor

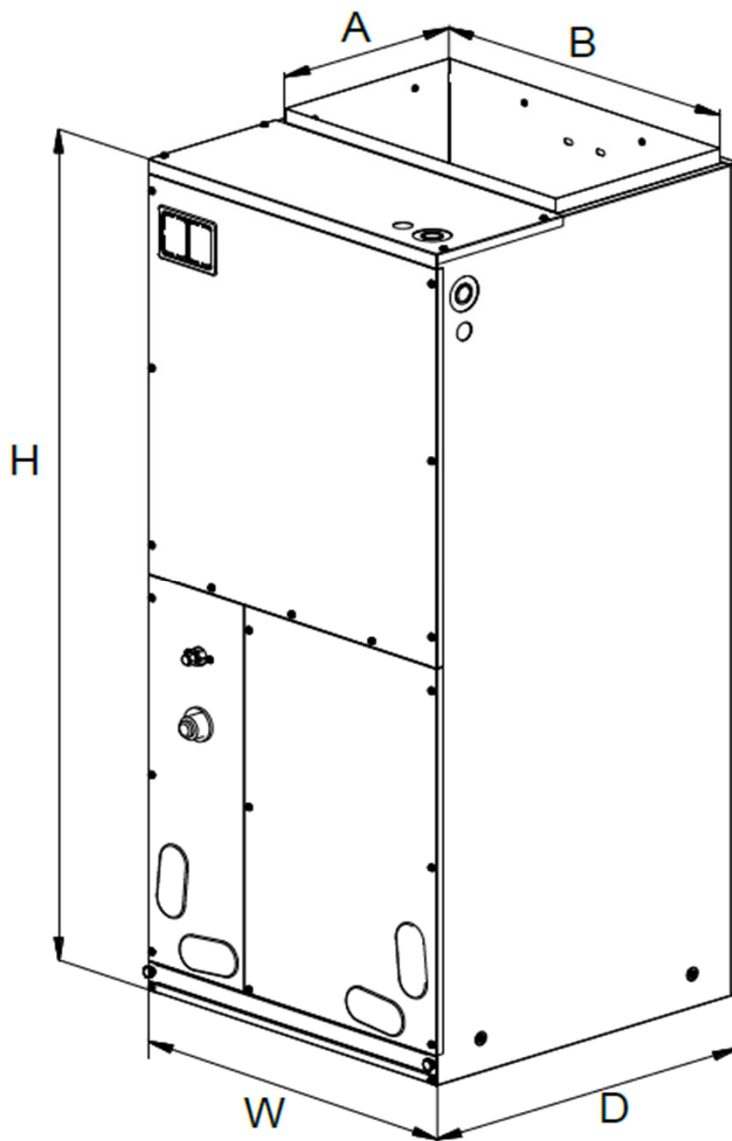
Heating: 70 °F DB Indoor, 47 °F DB

NOTE – Due to Lennox' ongoing commitment to quality, Specifications, Ratings and Dimensions subject to change without notice and without incurring liability. Improper installation, adjustment, alteration, service or maintenance can cause property damage or personal injury. Installation and service must be performed by a qualified installer and servicing agency. ©2017 Lennox Industries Inc.



SUBMITTAL DATA - INDOOR UNIT
VEAH024N432U
VRF AIR HANDLER TYPE EVAPORATOR

DIMENSIONAL DRAWINGS



	mm	in
Height	1105	43 1/2
Width	460	18 1/8
Depth	540	21 1/4
A	295	11 5/8
B	426	16 3/4

NOTE – Due to Lennox' ongoing commitment to quality, Specifications, Ratings and Dimensions subject to change without notice and without incurring liability. Improper installation, adjustment, alteration, service or maintenance can cause property damage or personal injury. Installation and service must be performed by a qualified installer and servicing agency. ©2017 Lennox Industries Inc.