



**SUBMITTAL DATA - INDOOR UNIT**

**VECC007C432P**

**VRF COMPACT 4-WAY CASSETTE TYPE EVAPORATOR**

**208-230/1/60**

Job Name: \_\_\_\_\_  
 Location: \_\_\_\_\_  
 Schedule No.: \_\_\_\_\_  
 System Designation: \_\_\_\_\_

Engineer: \_\_\_\_\_  
 Architect: \_\_\_\_\_  
 Date: \_\_\_\_\_  
 For: \_\_\_ Reference \_\_\_ Approval \_\_\_ Review \_\_\_ Construction

**FEATURES**

- Auto Addressing installation
- Auto Restart
- Replaceable Front Panel
- Integrated Condensate Pump
- Built-in Electronic Expansion Valve
- LED Display
- Washable Filter
- Water Overflow Protection
- Anti-Freezing Protection

**PRODUCT WARRANTY**

All covered components - one year limited warranty

**SPECIFICATIONS**

**PERFORMANCE**

Cooling Capacity* (Btu/h)		7,500
Heating Capacity* (Btu/h)		8,500
Airflow (CFM)	High	355
	Medium	295
	Low	235

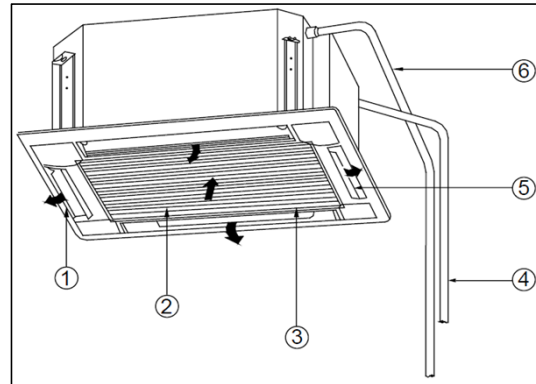
Sound Pressure Level (dBA)                      H / M / L    41/39/35

**ELECTRICAL DATA**

Power Supply (V / Ph / Hz)		208-230/1/60
MOP (A)		15
Circuit Breaker (A)		15
MCA (A)		2
Rated Current (A)	Cooling	<1
	Heating	<1

**DIMENSIONS**

Unit Dimensions (in)	Height	9 1/2
	Width	23 1/2
	Depth	23 1/2
Panel Unit Dimensions (in)	Height	2
	Width	23 3/8
	Depth	23 3/8
Liquid Pipe Connection (in)		1/4
Gas Pipe Connection (in)		3/8
Shipping Weight (lb)		49
Net Weight (lb)		60
Panel Shipping Weight (lb)		8
Panel Net Weight (lb)		11



1. Air Outlet
2. Air Filter
3. Grill
4. Refrigerant Piping
5. Louvers
6. Drain Pipe

**NOTES:**

\*Cooling and Heating Capacity data is rated at the following conditions:

Cooling: 80 °F DB / 67 °F WB Indoor, 95 °F DB Outdoor

Heating: 70 °F DB Indoor, 47 °F DB



NOTE – Due to Lennox' ongoing commitment to quality, Specifications, Ratings and Dimensions subject to change without notice and without incurring liability. Improper installation, adjustment, alteration, service or maintenance can cause property damage or personal injury. Installation and service must be performed by a qualified installer and servicing agency. ©2019 Lennox Industries Inc.



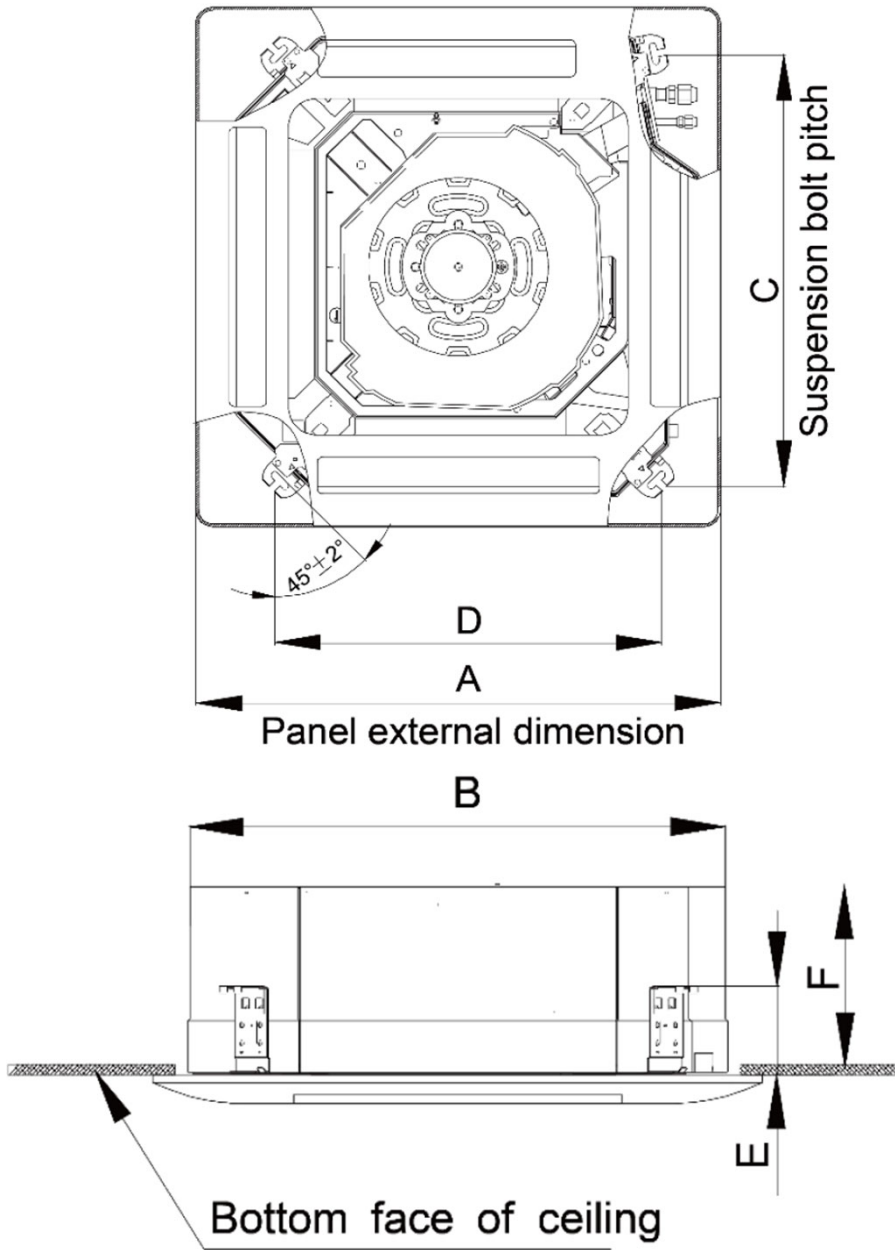
**SUBMITTAL DATA - INDOOR UNIT**

**VECC007C432P**

**VRF COMPACT 4-WAY CASSETTE TYPE EVAPORATOR**

**208-230/1/60**

**DIMENSIONAL DRAWINGS**



	mm	in
<b>A</b>	670	26 3/8
<b>B</b>	596	23 1/2
<b>C</b>	592	23 1/3
<b>D</b>	571	22 1/2
<b>E</b>	145	5 5/7
<b>F</b>	240	9 1/2

NOTE – Due to Lennox' ongoing commitment to quality, Specifications, Ratings and Dimensions subject to change without notice and without incurring liability. Improper installation, adjustment, alteration, service or maintenance can cause property damage or personal injury. Installation and service must be performed by a qualified installer and servicing agency. ©2019 Lennox Industries Inc.