



SUBMITTAL DATA - INDOOR UNIT
VEGD072C432P
VRF LARGE FAN COIL TYPE EVAPORATOR
208-230/1/60

Job Name: _____
Location: _____
Schedule No.: _____
System Designation: _____

Engineer: _____
Architect: _____
Date: _____
For: ___ Reference ___ Approval ___ Review ___ Construction

FEATURES

- Auto Addressing installation
- Auto Restart
- Adjustable ESP Setting
- Integrated Condensate Pump
- Built-in Electronic Expansion Valve
- LED Display Optional
- Brazed Connections
- Anti-Freezing Protection
- Steel Cabinet

PRODUCT WARRANTY

All covered components - one year limited warranty

SPECIFICATIONS

PERFORMANCE

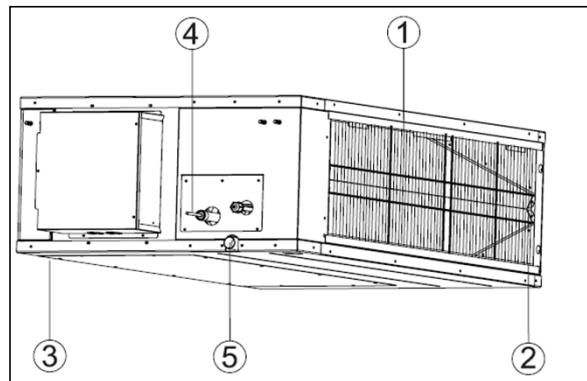
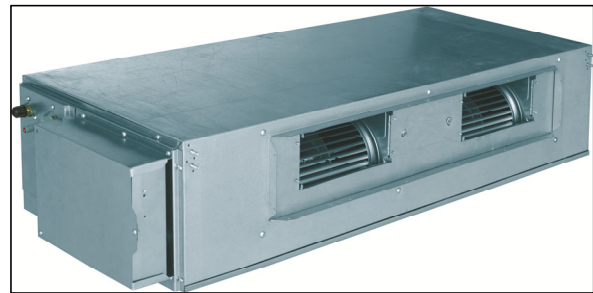
Cooling Capacity* (Btu/h)	69,000
Heating Capacity* (Btu/h)	77,000
Fan Type	Centrifugal
Fan Quantity	2
Airflow (CFM) - H / M / L	2355/2120/1885
External Static Pressure (Pa)	50 - 200
External Static Pressure (in WC)	0.2 - 0.8
Sound Pressure Level (dBA) - H / M / L	54/52/49

ELECTRICAL DATA

Power Supply (V / Ph / Hz)	208-230/1/60
Power consumption (W)	800
Rated Current Input (A)	5
MOCP (A)	15
MCA (A)	6.3

DIMENSIONS

Unit Dimensions (in)	Height	15 3/16
	Width	58 3/8
	Depth	31 1/4
Liquid Pipe Connection (in)		3/8
Gas Pipe Connection (in)		3/4
Drain Pipe Dimension (OD)		1 1/4
Shipping Weight (lb)		229
Net Weight (lb)		181
Loading Quantity	40' GP	52
	40' HQ	65



1. Air Filter
2. Air Inlet
3. Air Outlet
4. Refrigerant Ports
5. Drain Pipe

NOTES:

*Cooling and Heating Capacity data is rated at the following conditions:

Cooling: 80 °F DB / 67 °F WB Indoor, 95 °F DB Outdoor

Heating: 70 °F DB Indoor, 47 °F DB

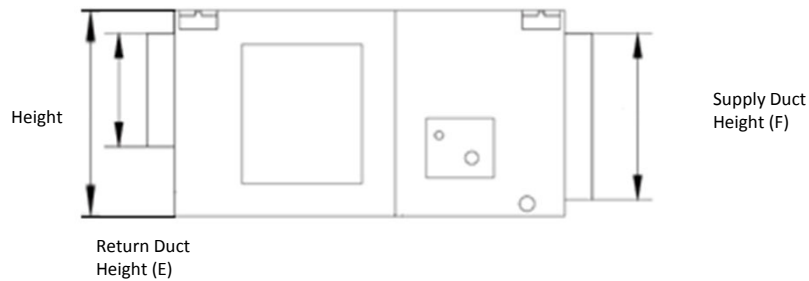
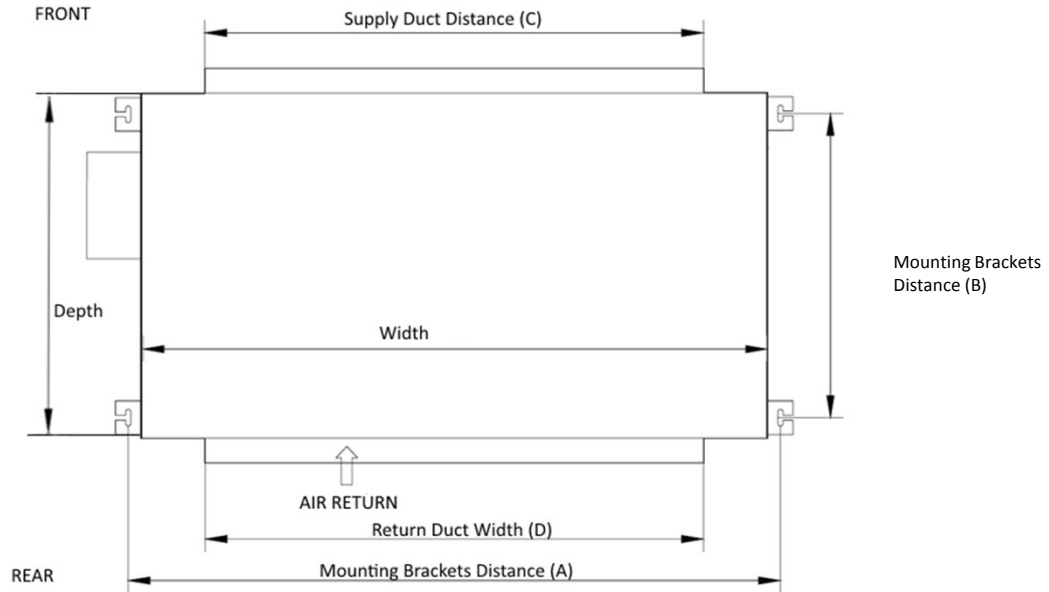


NOTE – Due to Lennox' ongoing commitment to quality, Specifications, Ratings and Dimensions subject to change without notice and without incurring liability. Improper installation, adjustment, alteration, service or maintenance can cause property damage or personal injury. Installation and service must be performed by a qualified installer and servicing agency. ©2014 Lennox Industries Inc.



SUBMITTAL DATA - INDOOR UNIT
VEGD072C432P
VRF LARGE FAN COIL TYPE EVAPORATOR
208-230/1/60

DIMENSIONAL DRAWINGS



	mm	in
H	385	15.16
W	1483	58.39
D	385	15.16
A	1563	61.54
B	706	27.80
C	992	39.06
D	1350	53.15
E	192	7.56
F	402	15.83

NOTE – Due to Lennox' ongoing commitment to quality, Specifications, Ratings and Dimensions subject to change without notice and without incurring liability. Improper installation, adjustment, alteration, service or maintenance can cause property damage or personal injury. Installation and service must be performed by a qualified installer and servicing agency. ©2014 Lennox Industries Inc.