



SUBMITTAL DATA - INDOOR UNIT
VEGD095N432U
VRF LARGE FAN COIL TYPE EVAPORATOR

Job Name: _____
Location: _____
Schedule No.: _____
System Designation: _____

Engineer: _____
Architect: _____
Date: _____
For: ___ Reference ___ Approval ___ Review ___ Construction

FEATURES

- Auto Addressing installation
- Auto Restart
- Quiet Blower Motor
- Fan Motor Overload Protection
- Built-in Electronic Expansion Valve
- Washable Filter
- Water Overflow Protection
- Anti-Freezing Protection

PRODUCT WARRANTY

All covered components - Five year limited warranty

SPECIFICATIONS

PERFORMANCE

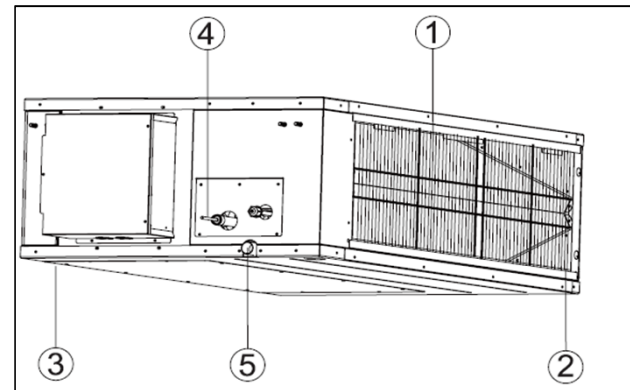
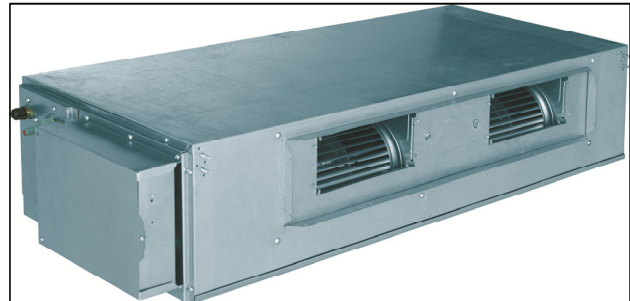
Cooling Capacity* (Btu/h)		95,540
Heating Capacity* (Btu/h)		105,770
Airflow (CFM)	High	2590
	Medium	2354
	Low	2119
External Static Pressure	Pa	0 - 200
	in. WC	0 - 0.8
Sound Pressure Level (dBA)	H / M / L	55/52/50

ELECTRICAL DATA

Power Supply (V / Hz / Ph)	220-240/50/1 - 208-230/60/1
MOP (A)	16
Rated Current (A)	Cooling 6
	Heating 6

DIMENSIONS

Unit Dimensions (in)	Height	17 3/4
	Width	66 1/4
	Depth	34 1/4
Liquid Pipe Connection (in)		3/8
Gas Pipe Connection (in)		7/8
Shipping Weight (lb)		308.7
Net Weight (lb)		231.5



1. Air Filter
2. Air Inlet
3. Air Outlet
4. Refrigerant Ports
5. Drain Pipe

NOTES:

*Cooling and Heating Capacity data is rated at the following conditions:

Cooling: 80 °F DB / 67 °F WB Indoor, 95 °F DB Outdoor

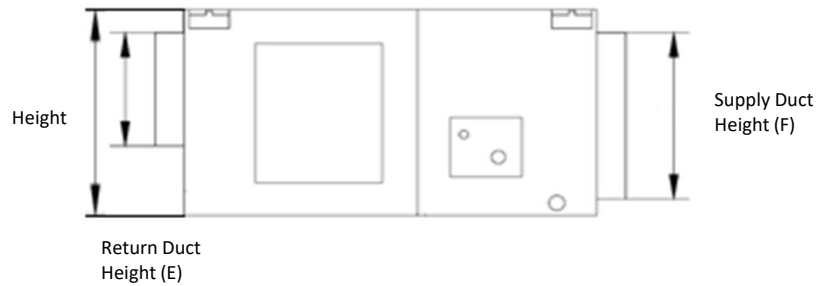
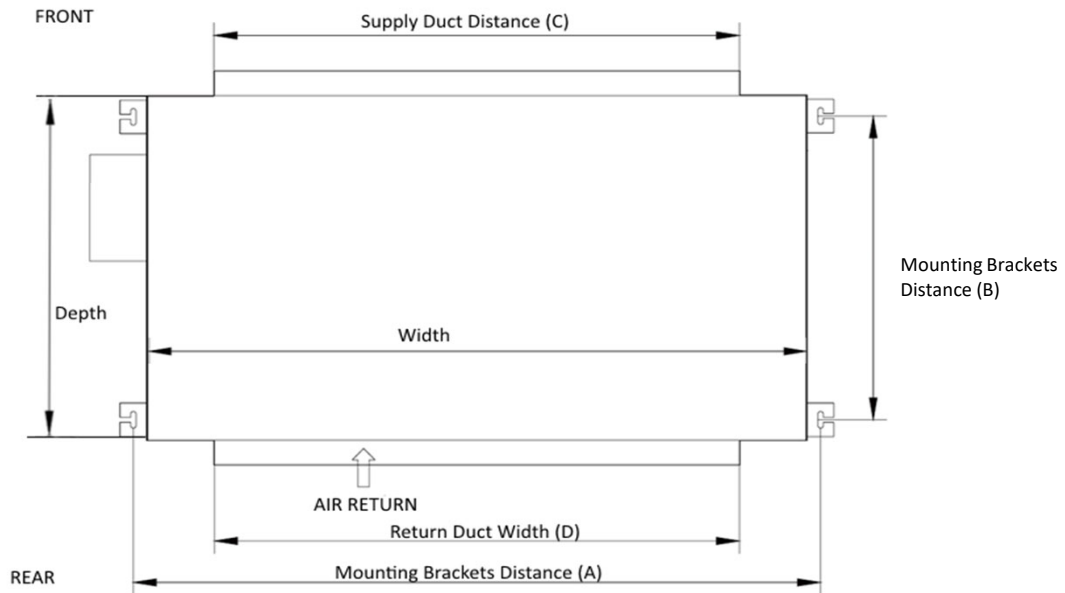
Heating: 70 °F DB Indoor, 47 °F DB

NOTE – Due to Lennox' ongoing commitment to quality, Specifications, Ratings and Dimensions subject to change without notice and without incurring liability. Improper installation, adjustment, alteration, service or maintenance can cause property damage or personal injury. Installation and service must be performed by a qualified installer and servicing agency. ©2019 Lennox Industries Inc.



SUBMITTAL DATA - INDOOR UNIT
VEGD095N432U
VRF LARGE FAN COIL TYPE EVAPORATOR

DIMENSIONAL DRAWINGS



	mm	in
H	450	17.72
W	1686	66.38
D	870	34.25
A	1563	61.54
B	706	27.80
C	992	39.06
D	1350	53.15
E	192	7.56
F	402	15.83

NOTE – Due to Lennox' ongoing commitment to quality, Specifications, Ratings and Dimensions subject to change without notice and without incurring liability. Improper installation, adjustment, alteration, service or maintenance can cause property damage or personal injury. Installation and service must be performed by a qualified installer and servicing agency. ©2019 Lennox Industries Inc.