



SUBMITTAL DATA - INDOOR UNIT
VEHD019N432U
VRF HIGH STATIC FAN COIL EVAPORATOR

Job Name: _____
Location: _____
Schedule No.: _____
System Designation: _____

Engineer: _____
Architect: _____
Date: _____
For: ___ Reference ___ Approval ___ Review ___ Construction

FEATURES

- Auto Addressing installation
- Auto Restart
- Adjustable ESP Setting
- Integrated Condensate Pump
- Built-in Electronic Expansion Valve
- LED Display
- Flare Connections
- Anti-Freezing Protection

PRODUCT WARRANTY

All covered components - one year limited warranty

SPECIFICATIONS

PERFORMANCE

Cooling Capacity* (Btu/h)		19,107
Heating Capacity* (Btu/h)		21,496
Airflow (CFM)	High	590
	Medium	471
	Low	355
External Static Pressure	Pa	0 - 100
	in. WC	0 - 0.4
Sound Pressure Level (dBA)	H / M / L	44/40/36

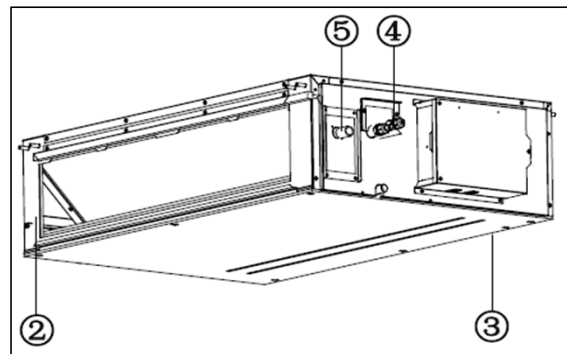


ELECTRICAL DATA

Power Supply (V / Hz / Ph)	220-240/50/1 - 208-230/60/1
MOP (A)	6
Rated Current (A)	Cooling 0.6
	Heating 0.6

DIMENSIONS

Unit Dimensions (in)	Height	10 1/2
	Width	50
	Depth	22
Liquid Pipe Connection (in)		3/8
Gas Pipe Connection (in)		5/8
Shipping Weight (lb)		88.2
Net Weight (lb)		77.2



1. Air Filter
2. Air Inlet
3. Air Outlet
4. Fittings
5. Drain Pipe

NOTES:

*Cooling and Heating Capacity data is rated at the following conditions:

Cooling: 80 °F DB / 67 °F WB Indoor, 95 °F DB Outdoor

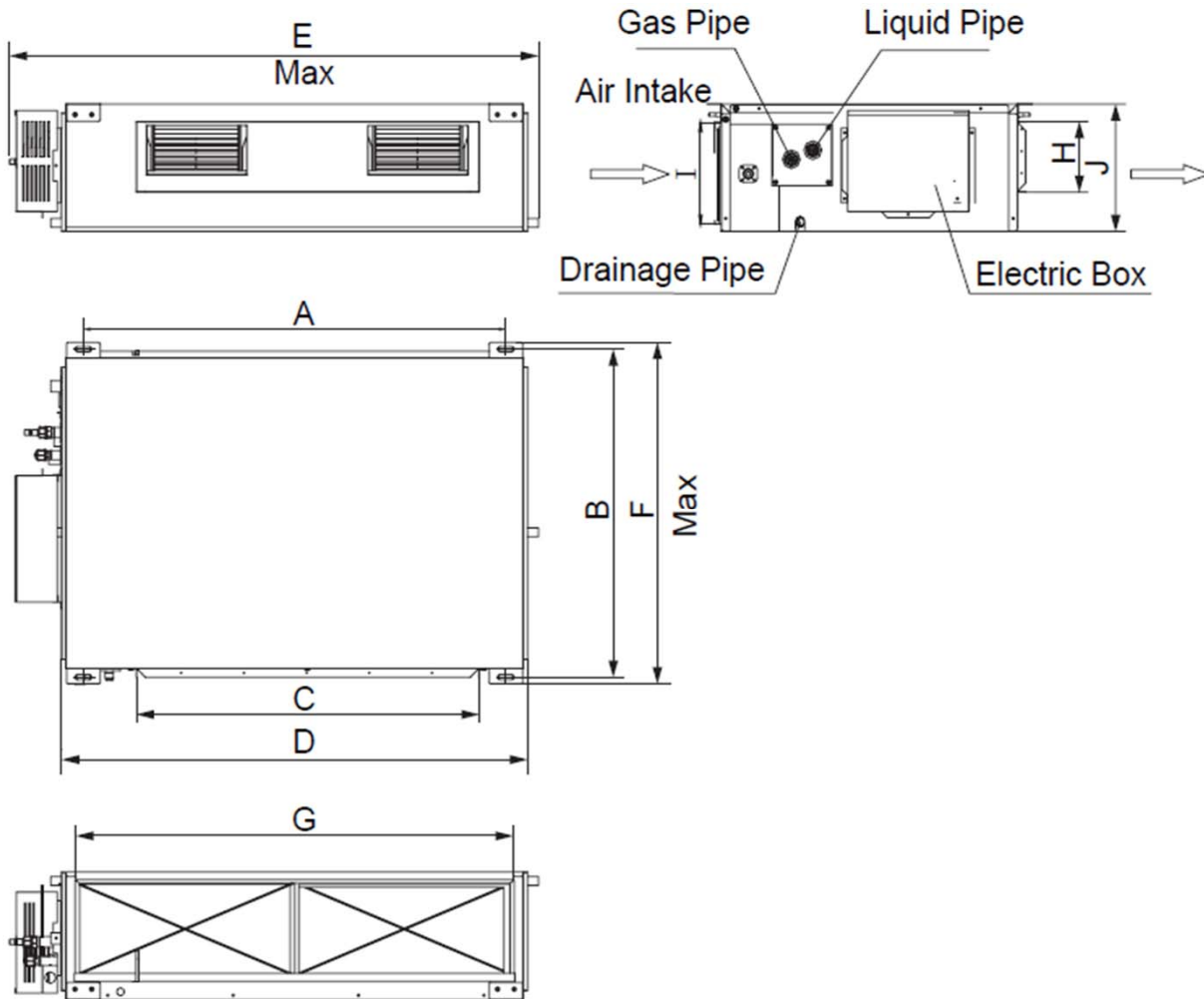
Heating: 70 °F DB Indoor, 47 °F DB

NOTE – Due to Lennox' ongoing commitment to quality, Specifications, Ratings and Dimensions subject to change without notice and without incurring liability. Improper installation, adjustment, alteration, service or maintenance can cause property damage or personal injury. Installation and service must be performed by a qualified installer and servicing agency. ©2014 Lennox Industries Inc.



SUBMITTAL DATA - INDOOR UNIT
VEHD019N432U
VRF HIGH STATIC FAN COIL EVAPORATOR

DIMENSIONAL DRAWINGS



	mm	in
A	1101	43.34
B	517	20.35
C	820	32.28
D	1159	45.63
E	1271	50
F	558	22
G	1002	39.44
H	160	6.3
I	235	9.25
J	268	10.5

NOTE – Due to Lennox' ongoing commitment to quality, Specifications, Ratings and Dimensions subject to change without notice and without incurring liability. Improper installation, adjustment, alteration, service or maintenance can cause property damage or personal injury. Installation and service must be performed by a qualified installer and servicing agency. ©2014 Lennox Industries Inc.