



## SUBMITTAL DATA - INDOOR UNIT

VEOA096N432U

### VRF DEDICATED OUTDOOR AIR PROCESING UNIT

Job Name: \_\_\_\_\_  
 Location: \_\_\_\_\_  
 Schedule No.: \_\_\_\_\_  
 System Designation: \_\_\_\_\_

Engineer: \_\_\_\_\_  
 Architect: \_\_\_\_\_  
 Date: \_\_\_\_\_  
 For: \_\_\_ Reference \_\_\_ Approval \_\_\_ Review \_\_\_ Construction

### FEATURES

- Auto Addressing installation
- Auto Restart
- Quiet Blower Motor
- Fan Motor Overload Protection
- Built-in Electronic Expansion Valve
- Washable Filter
- Water Overflow Protection
- Anti-Freezing Protection

### PRODUCT WARRANTY

All covered components - one year limited warranty

### SPECIFICATIONS

#### PERFORMANCE

Cooling Capacity* (Btu/h)	95,540
Heating Capacity* (Btu/h)	68,240
Airflow (CFM)	1,500

External Static Pressure	Pa	0 - 280
	in. WC	0 - 1-1/8"
Sound Pressure Level (dBA)		51

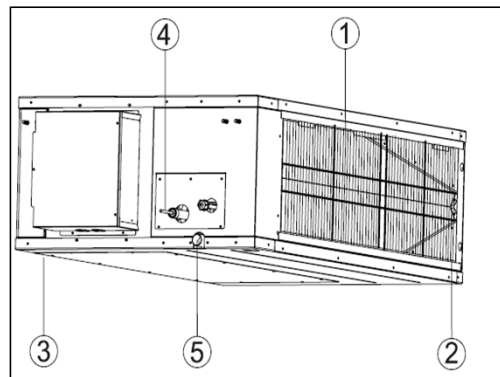
#### ELECTRICAL DATA

Power Supply (V / Ph / Hz)	220-240/1/50 - 208-230/1/60
MOP (A)	10
Rated Current (A)	Cooling 5
	Heating 5

#### DIMENSIONS

Unit Dimensions (in)	Height	15 1/5
	Width	58 1/4
	Depth	31 1/4

Liquid Pipe Connection (in)	3/8
Gas Pipe Connection (in)	7/8
Shipping Weight (lb)	229.3
Net Weight (lb)	180.8



1. Air Filter
2. Air Inlet
3. Air Outlet
4. Refrigerant Ports
5. Drain Pipe

#### NOTES:

\*Cooling and Heating Capacity data is rated at the following conditions:

Cooling: 80 °F DB / 67 °F WB Indoor, 95 °F DB Outdoor

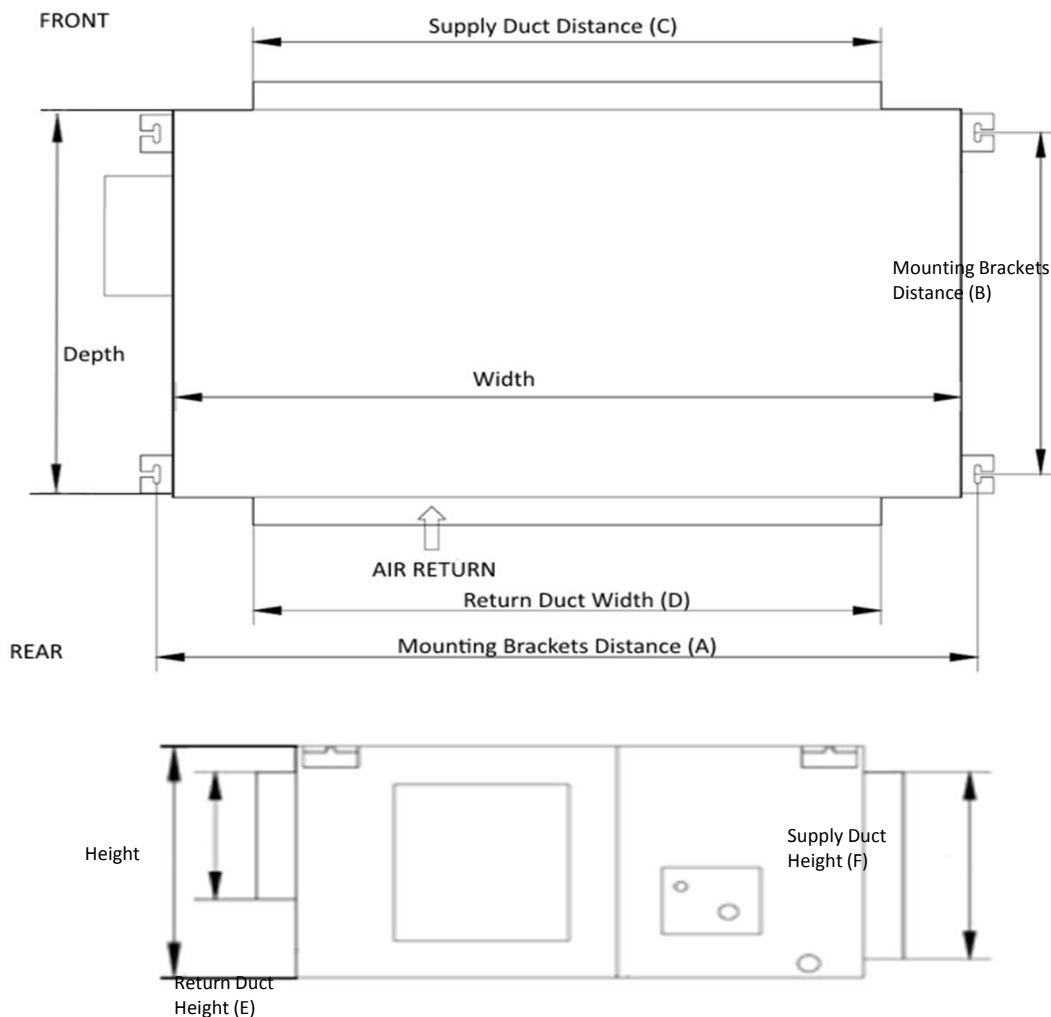
Heating: 70 °F DB Indoor, 47 °F DB

NOTE – Due to Lennox' ongoing commitment to quality, Specifications, Ratings and Dimensions subject to change without notice and without incurring liability. Improper installation, adjustment, alteration, service or maintenance can cause property damage or personal injury. Installation and service must be performed by a qualified installer and servicing agency. ©2017 Lennox Industries Inc.



**SUBMITTAL DATA - INDOOR UNIT**  
**VEOA096N432U**  
**VRF DEDICATED OUTDOOR AIR PROCESING UNIT**

**DIMENSIONAL DRAWINGS**



	mm	in
<b>H</b>	385	15.16
<b>W</b>	1483	58.39
<b>D</b>	385	15.16
<b>A</b>	1563	61.54
<b>B</b>	706	27.80
<b>C</b>	992	39.06
<b>D</b>	1350	53.15
<b>E</b>	192	7.56
<b>F</b>	402	15.83

NOTE – Due to Lennox' ongoing commitment to quality, Specifications, Ratings and Dimensions subject to change without notice and without incurring liability. Improper installation, adjustment, alteration, service or maintenance can cause property damage or personal injury. Installation and service must be performed by a qualified installer and servicing agency. ©2017 Lennox Industries Inc.