



SUBMITTAL DATA - OUTDOOR UNIT
VEP072C432Y
VRF HEAT PUMP
208-230/3/60

Job Name: _____
 Location: _____
 Schedule No.: _____
 System Designation: _____

Engineer: _____
 Architect: _____
 Date: _____
 For: ___ Reference ___ Approval ___ Review ___ Construction

FEATURES

- Two-pipe heat pump
- Accelerated complete coil defrost
- ECM Motors
- Thermal and Current Protection
- Access to electrical box for ease of maintenance
- Compressor mounted on vibration isolation pads
- Intelligent duty cycle operation
- Two stages oil separation
- Electronic Expansion Valves
- Brazed Connections
- Subcooling Control Technology
- Automatic Oil Balance

PRODUCT WARRANTY

Compressor - Seven year limited warranty
 All other components - Five year limited warranty

SPECIFICATIONS

PERFORMANCE

Cooling Capacity* (Btu/h)		69,000	
EER	(W/W)	Ducted	3.25
		Non Ducted	3.31
		Mixed	3.28
	(Btu/h)/W	Ducted	11.10
		Non Ducted	11.30
		Mixed	11.20
IEER	(Btu/h)/W	Ducted	21.50
		Non Ducted	23.00
		Mixed	22.25
Cooling Power Input (W)		5,450	
Heating Capacity(47°F)* (Btu/h)		77,000	
COP (47°F)	(W/W)	Ducted	3.40
		Non Ducted	3.70
		Mixed	3.55
Heating Capacity (17°F)* (Btu/h)		51,000	
COP (17°F)	(W/W)	Ducted	2.40
		Non Ducted	2.45
		Mixed	2.42
Heating Power Input (W)		5,800	

ELECTRICAL DATA

Power Supply (V/PH/Hz)	208-230/3/60
MOCP (A)	35
MCA (A)	31
Circuit Breaker Capacity (A)	35

GENERAL DATA

Combination Ratio Indoor / Outdoor	50% to 135%
Max. # of Indoor Units	13 units
Sound Pressure Level (dBA)	60
Refrigerant Type	R410a
Factory Refrigerant Charge (oz)	229.3
Compressor Type/Qty	Inverter Scroll / 1
Fan Type/Qty	Axial / 1

DIMENSIONS

Unit Dimensions (in)	Height	63 1/4
	Width	36 5/8
	Depth	30 1/8
Liquid Pipe Connection (in)	3/8	
Gas Pipe Connection (in)	3/4	
Oil Pipe Connection (in)	3/8	
Shipping Weight (lb)	518.2	
Net Weight (lb)	496.1	



NOTES:

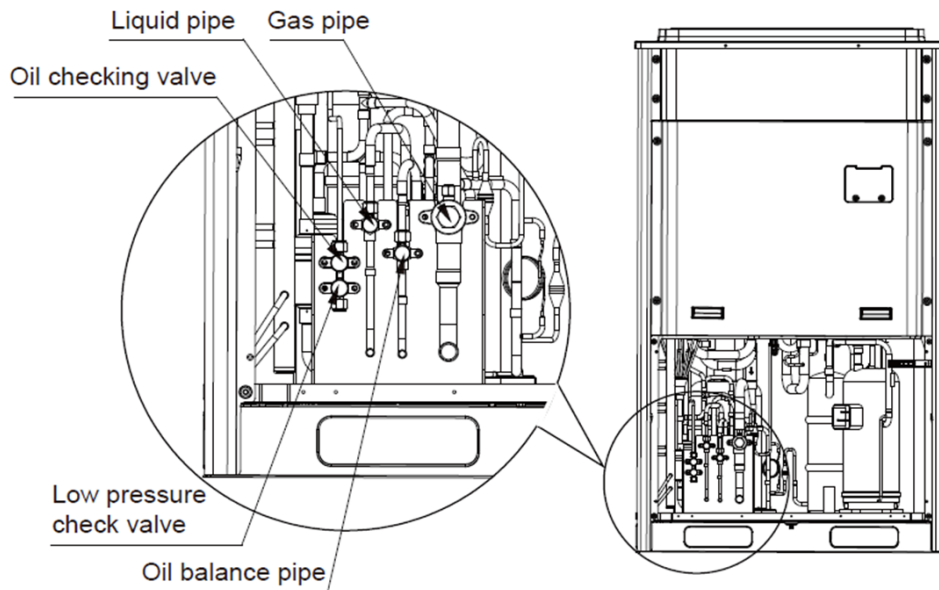
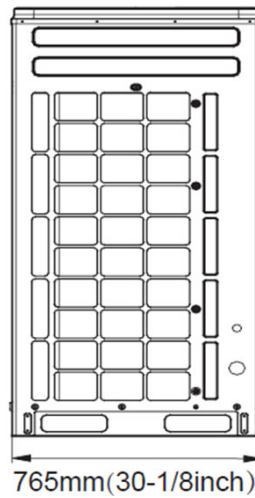
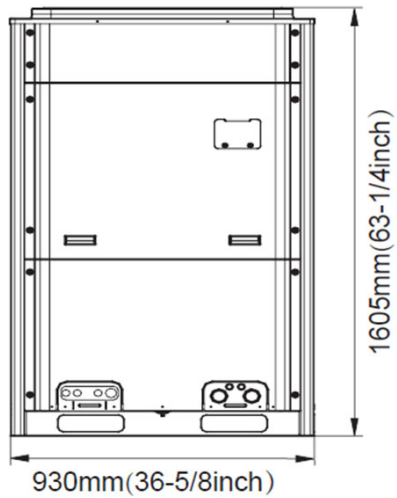
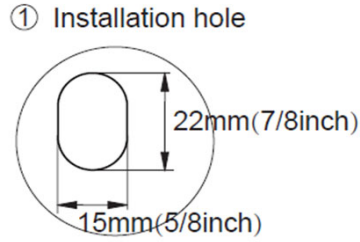
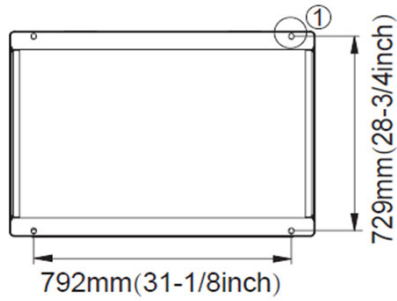
*Cooling and Heating Capacity data AHRI-1230-2010 conditions



NOTE – Due to Lennox' ongoing commitment to quality, Specifications, Ratings and Dimensions subject to change without notice and without incurring liability. Improper installation, adjustment, alteration, service or maintenance can cause property damage or personal injury. Installation and service must be performed by a qualified installer and servicing agency. ©2019 Lennox Industries Inc.



DIMENSIONAL DRAWINGS



NOTE – Due to Lennox' ongoing commitment to quality, Specifications, Ratings and Dimensions subject to change without notice and without incurring liability. Improper installation, adjustment, alteration, service or maintenance can cause property damage or personal injury. Installation and service must be performed by a qualified installer and servicing agency. ©2019 Lennox Industries Inc.