



SUBMITTAL DATA - OUTDOOR UNIT
VEP075N432N
VRF HEAT PUMP

Job Name: _____
 Location: _____
 Schedule No.: _____
 System Designation: _____

Engineer: _____
 Architect: _____
 Date: _____
 For: ___ Reference ___ Approval ___ Review ___ Construction

FEATURES

- Two-pipe heat pump
- Accelerated complete coil defrost
- Hermetically sealed compressor with crankcase heater
- Thermal and Current protection in Compressor
- Steel casing with baked enameled finish Compressor
- Access to electrical box for ease of maintenance
- High efficiency DC Inverter Scroll compressor
- Compressor mounted on vibration isolation pads
- Subcooling Control Technology
- Plastic Fan Blade
- Intelligent duty cycle operation
- Hydrophilic Aluminum Gold Fin

PRODUCT WARRANTY

Compressor - Seven year limited warranty
 All other components - Five year limited warranty

SPECIFICATIONS

PERFORMANCE

Cooling Capacity* (Btu/h)		76,430
EER (W/W)		4.31
IEER (Btu/W)	Ducted	23.50
	Non ducted	25.50
Cooling Power Input (W)		5,197
Heating Capacity* (Btu/h)		85,300
COP (W/W)		4.55
Heating Power Input (W)		5,495

ELECTRICAL DATA

Power Supply (V / Ph / Hz)	380-415 / 3 / 50-60
MOCP (A)	30
MCA (A)	21
No. of Compressors	1
No. of Fans	1

GENERAL DATA

Combination Ratio Indoor / Outdoor	50% to 125%
Max. # of Indoor Units	13 units
Sound Pressure Level (dBA)	60
Refrigerant Type	R410a
Factory Refrigerant Charge (oz)	208.2

DIMENSIONS

Unit Dimensions (in)	Height	63 1/4
	Width	36 1/2
	Depth	30 1/8

Liquid Pipe Connection (in)	1/4
Gas Pipe Connection (in)	3/4
Shipping Weight (lb)	518.2
Net Weight (lb)	496.1

NOTES:

*Cooling and Heating Capacity data is rated at the following conditions:

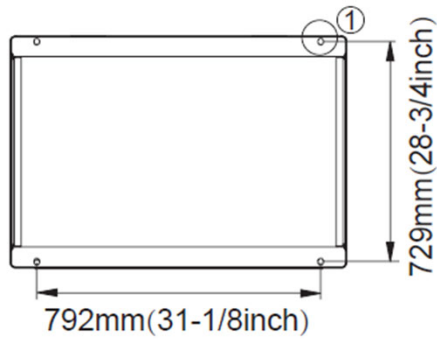
Cooling: 80 °F DB / 67 °F WB Indoor; 95 °F DB / 75 °F WB Outdoor
 Heating: 70 °F DB, 70 °F WB Indoor; 47 °F DB, 43 °F WB Outdoor

NOTE – Due to Lennox' ongoing commitment to quality, Specifications, Ratings and Dimensions subject to change without notice and without incurring liability. Improper installation, adjustment, alteration, service or maintenance can cause property damage or personal injury. Installation and service must be performed by a qualified installer and servicing agency. ©2017 Lennox Industries Inc.

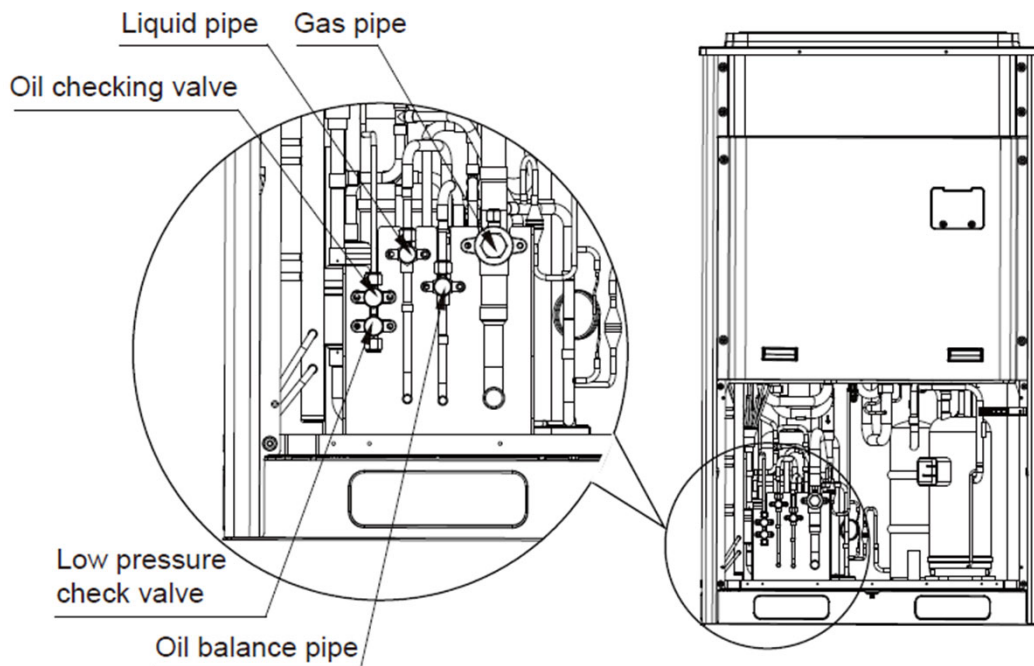
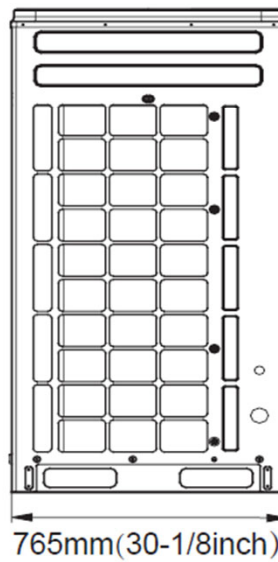
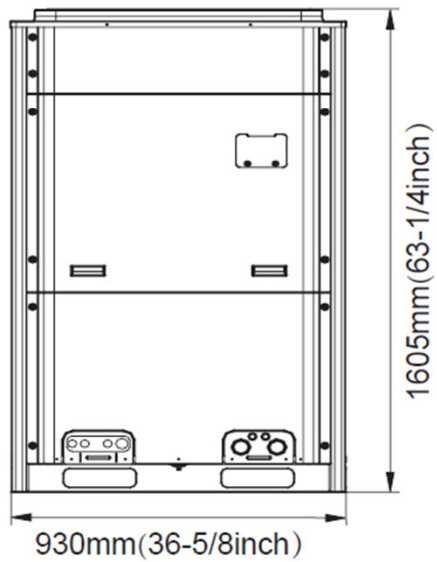
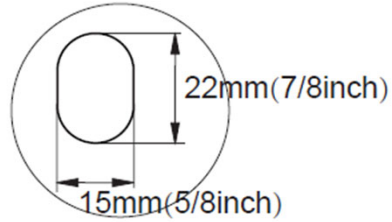




DIMENSIONAL DRAWINGS



① Installation hole



NOTE – Due to Lennox' ongoing commitment to quality, Specifications, Ratings and Dimensions subject to change without notice and without incurring liability. Improper installation, adjustment, alteration, service or maintenance can cause property damage or personal injury. Installation and service must be performed by a qualified installer and servicing agency. ©2017 Lennox Industries Inc.