



# SUBMITTAL DATA - OUTDOOR UNIT

## VEP096N432N

## VRF HEAT PUMP

Job Name: \_\_\_\_\_  
 Location: \_\_\_\_\_  
 Schedule No.: \_\_\_\_\_  
 System Designation: \_\_\_\_\_

Engineer: \_\_\_\_\_  
 Architect: \_\_\_\_\_  
 Date: \_\_\_\_\_  
 For:  Reference  Approval  Review  Construction

### FEATURES

- Two-pipe heat pump
- Accelerated complete coil defrost
- Hermetically sealed compressor with crankcase heater
- Thermal and Current protection in Compressor
- Steel casing with baked enameled finish Compressor
- Access to electrical box for ease of maintenance
- High efficiency DC Inverter Scroll compressor
- Compressor mounted on vibration isolation pads
- Subcooling Control Technology
- Plastic Fan Blade
- Intelligent duty cycle operation
- Hydrophilic Aluminum Gold Fin

### PRODUCT WARRANTY

Compressor - Seven year limited warranty  
 All other components - Five year limited warranty

### SPECIFICATIONS

#### PERFORMANCE

Cooling Capacity* (Btu/h)		95,540
EER (W/W)		4.00
IEER (Btu/W)	Ducted	22.00
	Non ducted	24.50
Cooling Power Input (W)		7,000
Heating Capacity* (Btu/h)		107,480
COP (W/W)		4.32
Heating Power Input (W)		7,292

#### ELECTRICAL DATA

Power Supply (V / Ph / Hz)	380-415 / 3 / 50-60
MOCP (A)	35
MCA (A)	23
No. of Compressors	1
No. of Fans	1

#### GENERAL DATA

Combination Ratio Indoor / Outdoor	50% to 125%
Max. # of Indoor Units	16 units
Sound Pressure Level (dBA)	61
Refrigerant Type	R410a
Factory Refrigerant Charge (oz)	236.4

#### DIMENSIONS

Unit Dimensions (in)	Height	63 1/4
	Width	36 1/2
	Depth	30 1/8
Liquid Pipe Connection (in)		1/4
Gas Pipe Connection (in)		1
Shipping Weight (lb)		518.2
Net Weight (lb)		496.1

#### NOTES:

\*Cooling and Heating Capacity data is rated at the following conditions:  
 Cooling: 80 °F DB / 67 °F WB Indoor; 95 °F DB / 75 °F WB Outdoor  
 Heating: 70 °F DB, 70 °F WB Indoor; 47 °F DB, 43 °F WB Outdoor

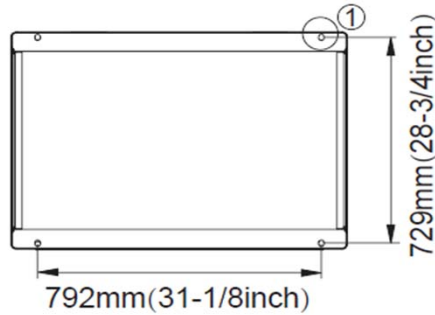
NOTE – Due to Lennox' ongoing commitment to quality, Specifications, Ratings and Dimensions subject to change without notice and without incurring liability. Improper installation, adjustment, alteration, service or maintenance can cause property damage or personal injury. Installation and service must be performed by a qualified installer and servicing agency. ©2017 Lennox Industries Inc.



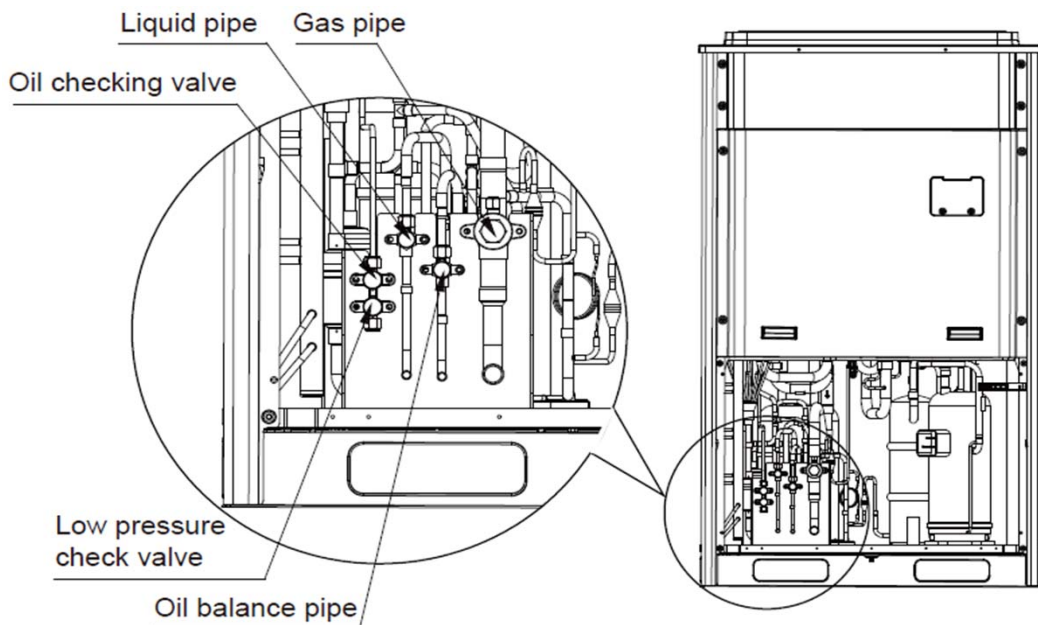
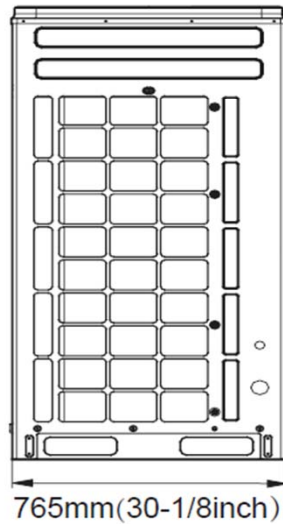
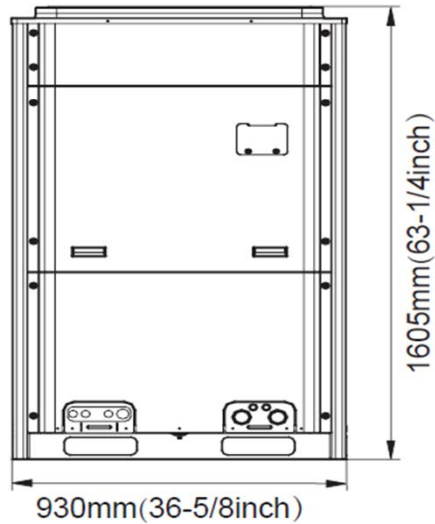
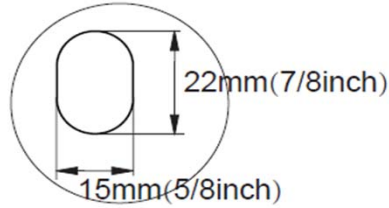


**SUBMITTAL DATA - OUTDOOR UNIT**  
**VEP096N432N**  
**VRF HEAT PUMP**

**DIMENSIONAL DRAWINGS**



① Installation hole



NOTE – Due to Lennox' ongoing commitment to quality, Specifications, Ratings and Dimensions subject to change without notice and without incurring liability. Improper installation, adjustment, alteration, service or maintenance can cause property damage or personal injury. Installation and service must be performed by a qualified installer and servicing agency. ©2017 Lennox Industries Inc.