



**SUBMITTAL DATA - OUTDOOR UNIT**  
**VEP216C432G**  
**VRF HEAT PUMP**  
**440-460 / 3 / 60**

**Job Name:** \_\_\_\_\_  
**Location:** \_\_\_\_\_  
**Schedule No.:** \_\_\_\_\_  
**System Designation:** \_\_\_\_\_

**Engineer:** \_\_\_\_\_  
**Architect:** \_\_\_\_\_  
**Date:** \_\_\_\_\_  
**For:**  Reference  Approval  Review  Construction

**FEATURES**

- Two-pipe heat pump
- Accelerated complete coil defrost
- ECM Motors
- Thermal and Current Protection
- Access to electrical box for ease of maintenance
- Compressor mounted on vibration isolation pads
- Intelligent duty cycle operation
- Two stages oil separation
- Electronic Expansion Valves
- Brazed Connections
- Subcooling Control Technology
- Automatic Oil Balance

**PRODUCT WARRANTY**

Compressor - Seven year limited warranty  
 All other components - Five year limited warranty

**SPECIFICATIONS**

**PERFORMANCE**

Cooling Capacity* (Btu/h)		206,000	
EER	(W/W)	Ducted	3.11
		Non Ducted	3.22
		Mixed	3.17
	(Btu/h)/W	Ducted	10.60
		Non Ducted	11.00
		Mixed	10.80
IEER	(Btu/h)/W	Ducted	20.00
		Non Ducted	23.00
		Mixed	21.50
Cooling Power Input (W)		7,300 + 9,580	
Heating Capacity(47°F)* (Btu/h)		230,000	
COP (47°F)	(W/W)	Ducted	3.25
		Non Ducted	3.52
		Mixed	3.38
Heating Capacity (17°F)* (Btu/h)		150,000	
COP (17°F)	(W/W)	Ducted	2.23
		Non Ducted	2.25
		Mixed	2.24
Heating Power Input (W)			



**ELECTRICAL DATA**

Power Supply	440-460 / 3 / 60
MOCP (A)	25 + 30
MCA (A)	18 + 25
Circuit Breaker Capacity (A)	25 + 30

**GENERAL DATA**

Combination Ratio Indoor / Outdoor	50% to 135%
Max. # of Indoor Units	35
Sound Pressure Level (dBA)	65
Refrigerant Type	R410a
Factory Refrigerant Charge (oz)	345.7 + 398.7
Compressor Type/Qty	Inverter Scroll / 1 + 2
Fan Type/Qty	Axial / 2 + 2

**DIMENSIONS**

Unit Dimensions (in)	Height	63 1/4 + 63 1/4
	Width	52 3/4 + 52 3/4
	Depth	30 1/8 + 30 1/8
Liquid Pipe Connection (in)		3/8 - 1/2
Gas Pipe Connection (in)		7/8 - 1
Oil Pipe Connection (in)		3/8
Shipping Weight (lb)		705 + 826.9
Net Weight (lb)		672 + 793.8

NOTES:  
 \*Cooling and Heating Capacity data AHRI-1230-2010 conditions

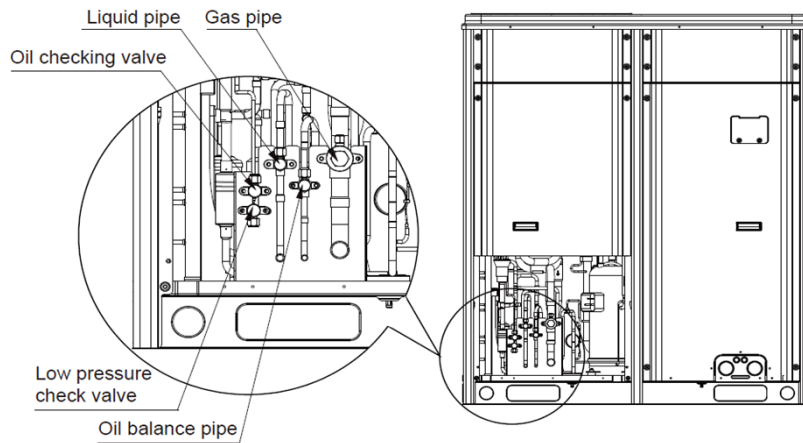
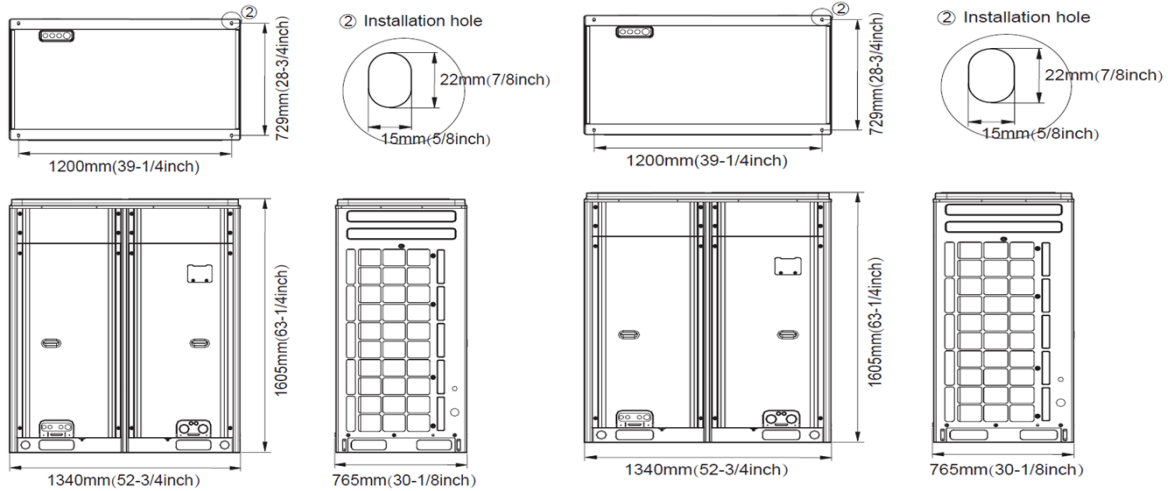


NOTE – Due to Lennox' ongoing commitment to quality, Specifications, Ratings and Dimensions subject to change without notice and without incurring liability. Improper installation, adjustment, alteration, service or maintenance can cause property damage or personal injury. Installation and service must be performed by a qualified installer and servicing agency. ©2019 Lennox Industries Inc.



**SUBMITTAL DATA - OUTDOOR UNIT**  
**VEP216C432G**  
**VRF HEAT PUMP**  
**440-460 / 3 / 60**

**DIMENSIONAL DRAWINGS**



NOTE – Due to Lennox' ongoing commitment to quality, Specifications, Ratings and Dimensions subject to change without notice and without incurring liability. Improper installation, adjustment, alteration, service or maintenance can cause property damage or personal injury. Installation and service must be performed by a qualified installer and servicing agency. ©2019 Lennox Industries Inc.