



SUBMITTAL DATA - INDOOR UNIT
VEUM048C432P
VRF UNIVERSAL MOUNTED TYPE EVAPORATOR
208-230/60/1

Job Name: _____
Location: _____
Schedule No.: _____
System Designation: _____

Engineer: _____
Architect: _____
Date: _____
For: ___ Reference ___ Approval ___ Review ___ Construction

FEATURES

- Auto Addressing installation
- Auto Restart
- Auto Swing Louvers
- Built-in Electronic Expansion Valve
- LED Display
- Washable Filter
- Anti-Freezing Protection
- Enameled finish

PRODUCT WARRANTY

All covered components - one year limited warranty

SPECIFICATIONS

PERFORMANCE

Cooling Capacity* (Btu/h)		47,770
Heating Capacity* (Btu/h)		54,590
Airflow (CFM)	High	1180
	Medium	1065
	Low	855

Sound Pressure Level (dBA)	H / M / L	52/49/45
----------------------------	-----------	----------

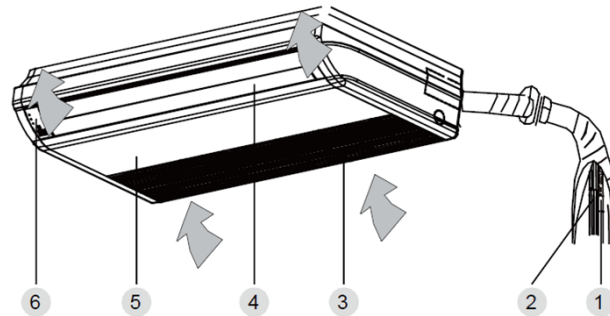
ELECTRICAL DATA

Power Supply (V / Ph / Hz)		208-230/60/1
MOCP (A)		15
Circuit Breaker (A)		15
MCA (A)		1
Rated Current (A)	Cooling	0.7
	Heating	0.7

DIMENSIONS

Unit Dimensions (in)	Height	27 1/2
	Width	67
	Depth	9 5/8

Liquid Pipe Connection (in)	3/8
Gas Pipe Connection (in)	5/8
Drain Pipe Connection (in)	5/8
Shipping Weight (lb)	149.6
Net Weight (lb)	132



1. Drain Hose
2. Pipe Connection
3. Air Inlet Grill (Air Filter inside)
4. Swing Louvers
5. Front Panel
6. Display LED

NOTES:

*Cooling and Heating Capacity data is rated at the following conditions:

Cooling: 80 °F DB / 67 °F WB Indoor, 95 °F DB Outdoor

Heating: 70 °F DB Indoor, 47 °F DB

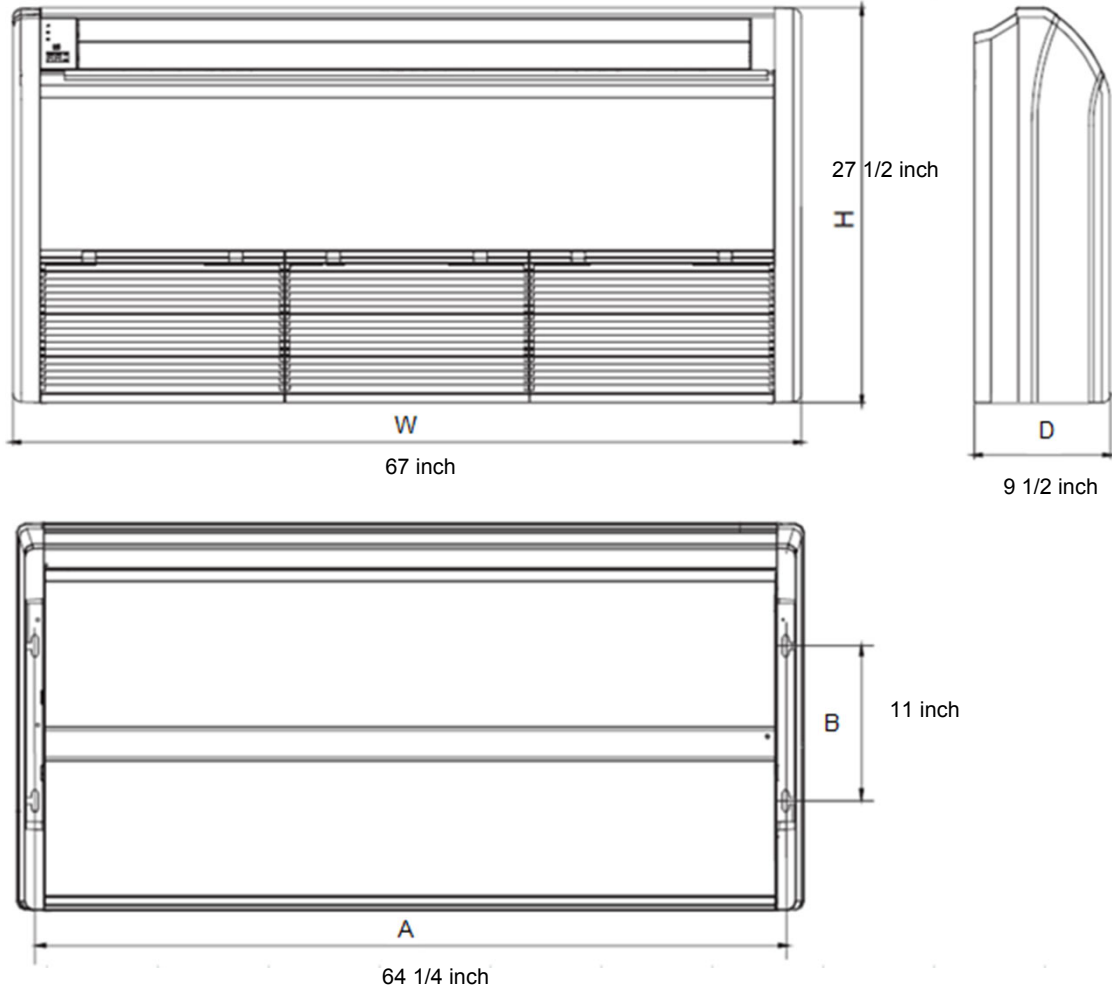


NOTE – Due to Lennox' ongoing commitment to quality, Specifications, Ratings and Dimensions subject to change without notice and without incurring liability. Improper installation, adjustment, alteration, service or maintenance can cause property damage or personal injury. Installation and service must be performed by a qualified installer and servicing agency. ©2019 Lennox Industries Inc.



SUBMITTAL DATA - INDOOR UNIT
VEUM048C432P
VRF UNIVERSAL MOUNTED TYPE EVAPORATOR
208-230/60/1

DIMENSIONAL DRAWINGS



NOTE – Due to Lennox' ongoing commitment to quality, Specifications, Ratings and Dimensions subject to change without notice and without incurring liability. Improper installation, adjustment, alteration, service or maintenance can cause property damage or personal injury. Installation and service must be performed by a qualified installer and servicing agency. ©2019 Lennox Industries Inc.