



Submittal:

Models:

LICHC024160P431 / LIHP024000P431
LICHC036160P431 / LIHP036000P431
LICHC048160P431 / LIHP048000P431
(Refrigerant R410A)

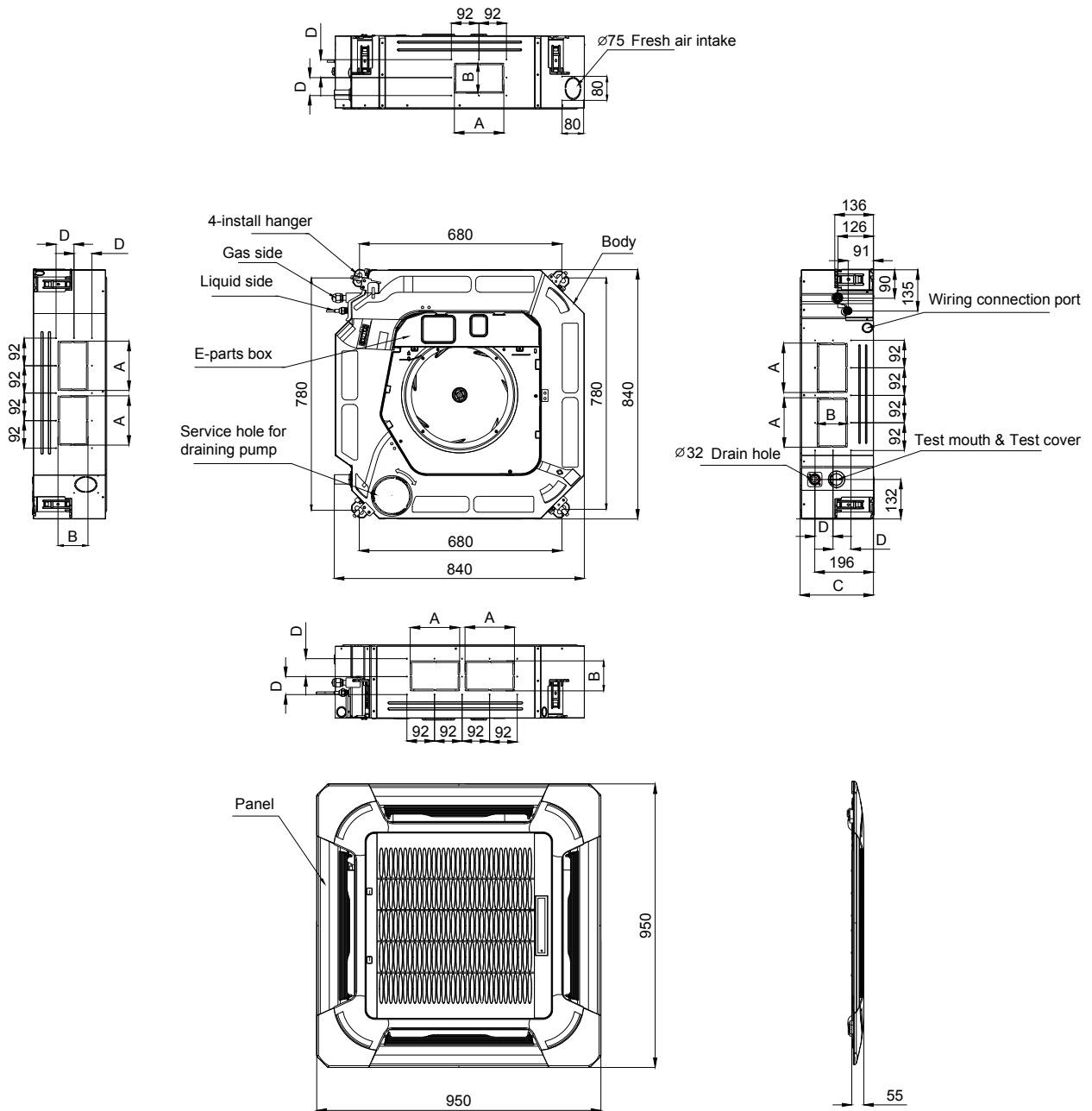
Thank you for selecting LENNOX air conditioners.

1. Specifications

Indoor Model			LICH4024160P431	LICH4036160P431	LICH4048160P431	
Power supply			V-ph-Hz	208~230-1-60	208~230-1-60	208~230-1-60
Cooling	Capacity	Btu/h	23800	36000	46000	
	EER	Btu/W	9.8	8	8.8	
	SEER		15.8	15	15.5	
Heating	Capacity	Btu/h	23800	36000	47000	
	HSPF4		9.5	9.0	9.0	
	HSPF5		7.2	7.5	7.9	
Minimum circuit ampacity		A	2.5	1.9	2.0	
Max.fuse		A	15	15	15	
Indoor fan motor	Model		WZDK42-38G	WZDK124-38G	WZDK124-38G	
	Qty		1	1	1	
	Input	w	42	124	124	
	Capacitor	uF	/	/	/	
	Speed(hi/mi/lo)	r/min	600/520/450	720/630/560	720/630/560	
Indoor air flow (Hi/Med/Lo)		m ³ /h	1400/1250/1000	1800/1600/1400	2020/1700/1450	
Indoor air flow (Hi/Med/Lo)		CFM	820/740/590	1060/940/820	1190/1000/850	
Indoor noise level (sound pressure) (Hi/Mid/Lo)		dB(A)	51/47/43	52/47/44	52/48/44	
Throttle type			/	/	/	
Indoor unit	Dimension (W x Dx H)(body)	mm	840x840x205	840x840x245	840x840x287	
	Dimension (W x Dx H)(body)	inch	33.07x33.07x8.07	33.07x33.07x9.65	33.07x33.07x11.3	
	Packing (W x Dx H)(body)	mm	900x900x225	900x900x265	900x900x292	
	Packing (W x Dx H)(body)	inch	35.43x35.43x8.86	35.43x35.43x10.43	35.43x35.43x11.5	
	Dimension (W x Dx H)(panel)	mm	950x950x55	950x950x55	950x950x55	
	Dimension (W x Dx H)(panel)	inch	37.4x37.4x2.17	37.4x37.4x2.17	37.4x37.4x2.17	
	Packing (W x Dx H)(panel)	mm	1035x1035x90	1035x1035x90	1035x1035x90	
	Packing (W x Dx H)(panel)	inch	40.75x40.75x3.54	40.75x40.75x3.54	40.75x40.75x3.54	
	Net/Gross weight(body)	kg	20.5/24	25/28.5	29/33.5	
	Net/Gross weight(body)	lbs.	45.19/52.91	55.12/62.83	63.93/73.85	
	Net/Gross weight(panel)	kg	5/8	5/8	5/8	
Net/Gross weight(panel)	lbs.	11.02/17.64	11.02/17.64	11.02/17.64		
Design pressure		PSIG	550/340 PSIG	550/340 PSIG	550/340 PSIG	
Drainage water pipe dia.		mm	ODΦ32	ODΦ32	ODΦ32	
Refrigerant piping	Liquid side/ Gas side	mm	Φ9.52/Φ15.9(3/8"/5/8")	Φ9.52/Φ15.9(3/8"/5/8")	Φ9.52/Φ15.9(3/8"/5/8")	
Controller			RG05F2/BGEU1	RG05F2/BGEU1	RG05F2/BGEU1	
Room temperature	Cooling	°C	17~32	17~32	17~32	
	Cooling	°F	62~90	62~90	62~90	
	Heating	°C	0~30	0~30	0~30	
	Heating	°F	32~86	32~86	32~86	
Operation temperature		°C	17~30	17~30	17~30	
		°F	62~86	62~86	62~86	
Outdoor Model			LIHP024000P431	LIHP036000P431	LIHP048000P431	
Max. fuse		A	30	50	55	
Minimum circuit ampacity		A	20	30	35	
Low temperature heating capacity (2°C)		Btu/h	16815	20615	34175	
Low temperature heating capacity (-7°C)		Btu/h	17495	18230	28595	
Compressor	Model		DA250S2C-30MT	TNB306FPGMC-L	MNB36FAAMC-L	
	Type		Twin-rotary	Twin-rotary	Twin-rotary	
	Brand		GMCC	Mitsubishi	Mitsubishi	
	Capacity	Btu/h	26289	33711	40603	
	Input	W	2120	3010	3520	
	Rated current (RLA)	A	13.9	22	23.5	
	Locked rotor Amp(LRA)	A	/	/	/	
Refrigerant oil	ml	820	1070	1400		
Outdoor fan motor	Model		WZDK72-38G	WZDK180-38G	WZDK85-38G	
	Qty		1	1	2	
	Input	W	72	180	85	
	Capacitor		/	/	/	
	Speed	r/min	850	860	1000	
Outdoor air flow (Max.)		m ³ /h	3500	5500	7200	
Outdoor air flow (Max.)		CFM	2060	3240	4240	
Outdoor noise level		dB(A)	61.5	66	64	
Throttle type			Capillary +EXV	Capillary +EXV	Capillary +EXV	
Outdoor unit	Dimension (W×D×H)	mm	900x315x860	990x345x965	938x392x1369	
	Dimension (W×D×H)	inch	35.43x12.4x33.86	38.98x13.58x37.99	36.93x15.43x53.9	
	Packing (W×D×H)	mm	1043x395x915	1120x435x1100	1095x495x1505	
	Packing (W×D×H)	inch	41.06x15.55x36.02	44.09x17.13x43.31	43.11x19.49x59.25	
	Net/ Gross weight	kg	61/65	73/83	100/114	
	Net/ Gross weight	lbs.	134.48/143.3	160.94/182.98	220.46/251.33	
Refrigerant type/Quantity	Type		R410A	R410A	R410A	
	Charged volume	Oz	86.5	97.00	152.00	
Refrigerant precharge		ft	25	25	25	
Additional charge for each ft		oz	0.32	0.32	0.32	
Design pressure		PSIG	550/340	550/340	550/340	
Refrigerant piping	Liquid side/ Gas side	mm(inch)	Φ9.52/Φ15.9(3/8"/5/8")	Φ9.52/Φ15.9(3/8"/5/8")	Φ9.52/Φ15.9(3/8"/5/8")	
	Max. pipe length	m	50	65	65	
	Max. pipe length	ft	164	213	213	
	Max. difference in level	m	25	30	30	
	Max. difference in level	ft	82	98	98	
Ambient temperature	Cooling	°C	-15~50	-15~50	-15~50	
	Cooling	°F	5~122	5~122	5~122	
	Heating	°C	-15~24	-15~24	-15~24	
	Heating	°F	5~76	5~76	5~76	

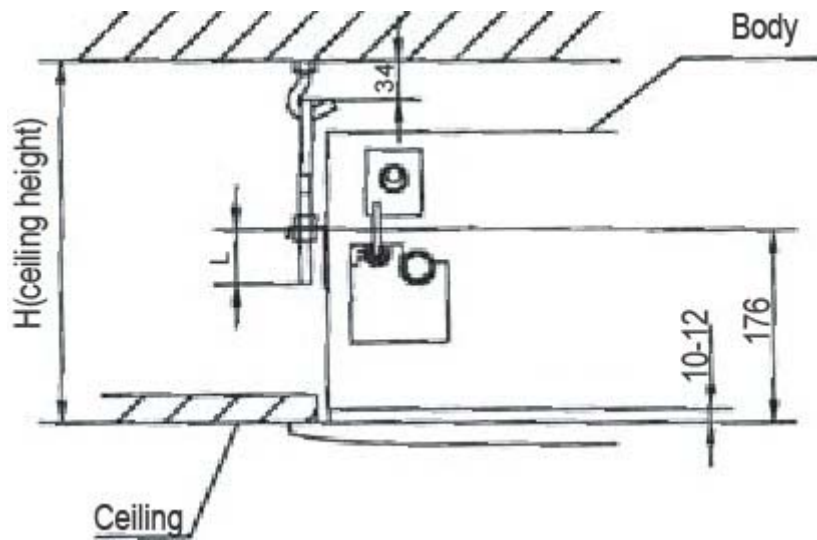
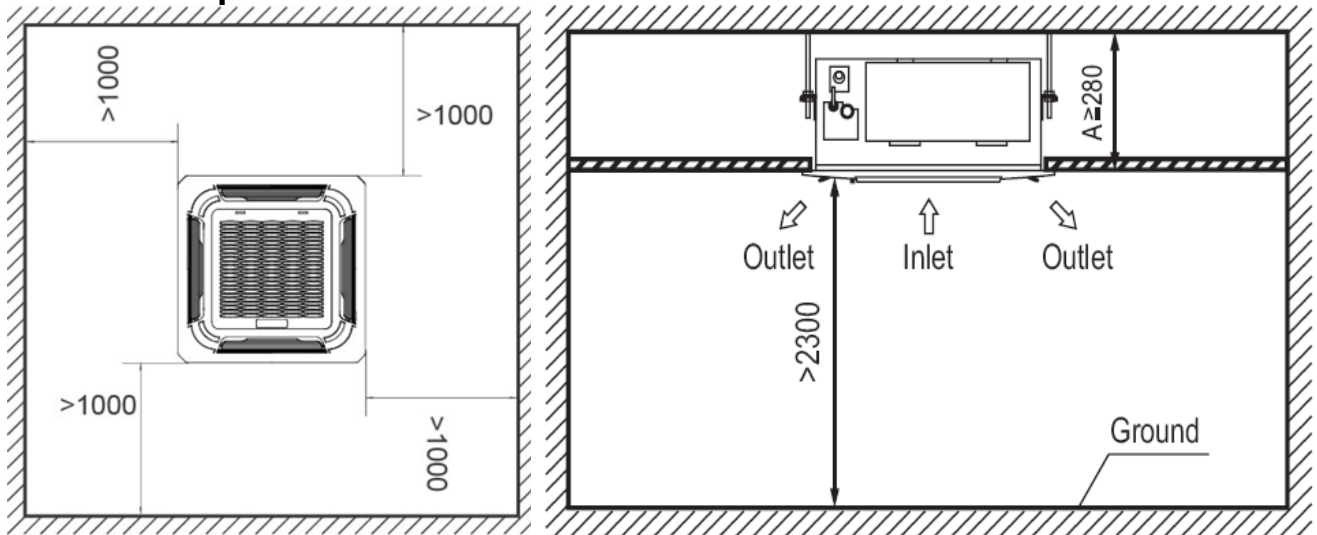
2. Dimensions.

24K,36K,48K



Unit: mm				
Capacity(KBtu/h)	A	B	C	D
24	160	75	205	50
36	160	95	245	60
48	160	95	287	60

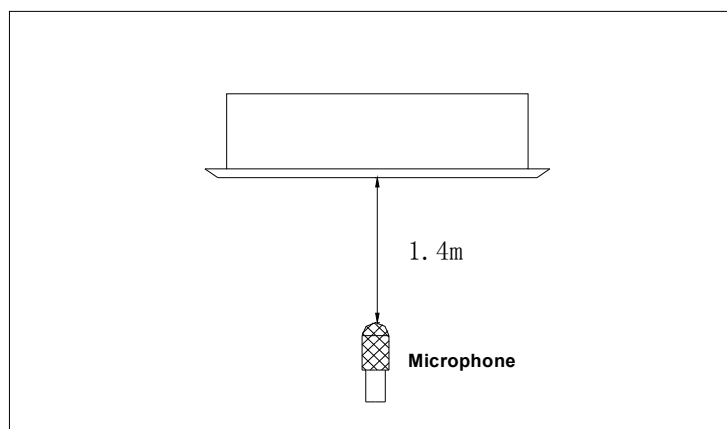
3. Service Space.



5. Electric Characteristics

Model	Indoor Unit			
	Hz	Voltage	Min	Max
LICH4024160P431	60	208-230V	187V	253V
LICH4036160P431	60	208-230V	187V	253V
LICH4048160P431	60	208-230V	187V	253V

6. Sound Levels



Model	Noise level dB(A)		
	H	M	L
LICH4024	51	47	43
LICH4036	52	47	44
LICH4048	52	48	44

7. The Specification of Power

Model		LICH4024160P431	LICH4036160P431	LICH4048160P431
Power	Phase	1-phase	1-phase	1-phase
	Frequency and Voltage	208-230V, 60Hz	208-230V, 60Hz	208-230V, 60Hz
Circuit Breaker/ Fuse (A)		40/30	60/40	70/55
Indoor Unit Power Wiring (mm ²)		—————	—————	—————
Indoor/Outdoor Connecting Wiring	Ground Wiring	4.0	4.0	4.0
	Outdoor Unit Power Wiring	3×4.0	3×4.0	3×4.0
	Strong Electric Signal	3×1.5	3×1.5	3×1.5
	Weak Electric Signal	3×0.5	3×0.5	3×0.5

8. Field Wiring

LICH4024, LICH4036, LICH4048

