



# Submittal:

Models:

LIUH024170P431 / LIHP024000P431  
LIUH036170P431 / LIHP036000P431  
LIUH048170P431 / LIHP048000P431  
(Refrigerant R410A)

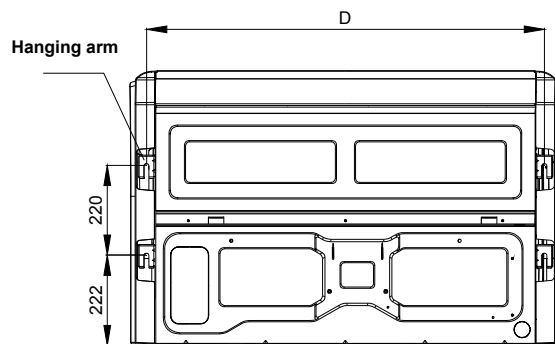
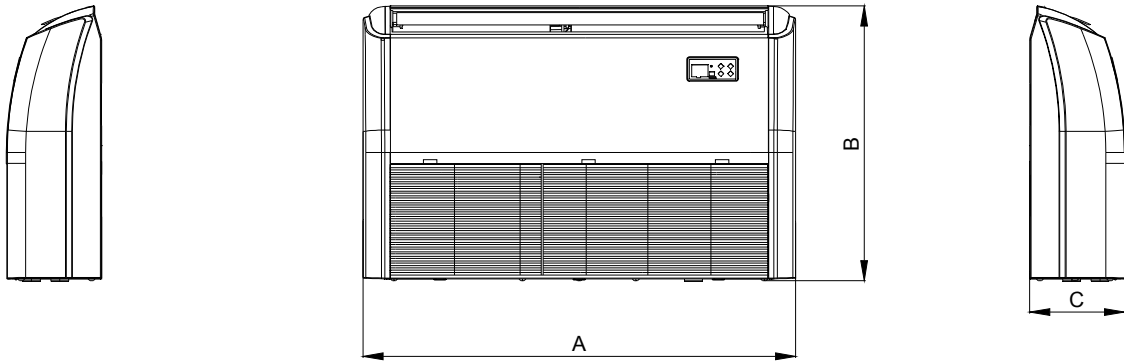
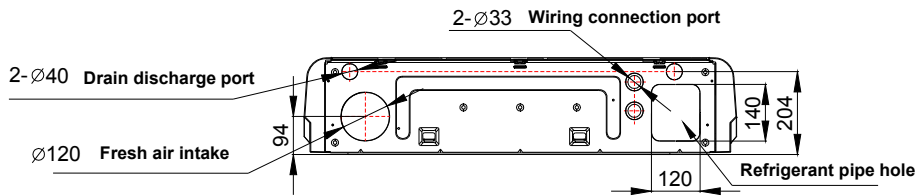
Thank you for selecting LENNOX air conditioners.

# 1. Specification

Indoor Model			LIUHC024170P431	LIUHC036170P431	LIUHC048170P431
Power supply			V-ph-Hz	208~230-1-60	208~230-1-60
Cooling	Capacity	Btu/h	25000	36000	48000
	EER	Btu/W	10.8	8.0	8.4
	SEER		17	15	16
Heating	Capacity	Btu/h	26000	36000	49000
	HSPF4		8.9	9.0	10.0
	HSPF5		7.2	7.5	8.5
Minimum circuit ampacity		A	2.5	1.9	2.3
Max.fuse		A	15	15	15
Indoor fan motor	Model		WZDK55-38GS-W	WZDK115-38GS-W	WZDK90-38GS-W
	Qty		1	1	2
	Input	W	55	115	90
	Capacitor	uF	\	\	\
	Speed(Hi/Med/Lo)	r/min	1350/1260/1120	1300/1150/800	1320/1200/1120
Indoor air flow(Hi/Med/Lo)		m <sup>3</sup> /h	1500/1300/1100	1650/1400/950	2300/1900/1700
Indoor air flow(Hi/Med/Lo)		CFM	880/770/650	970/820/560	1350/1120/1000
Indoor noise level (sound pressure) (Hi/Mid/Lo)		dB(A)	58.5/55/52	55/48/41	57/54/52
Throttle type			/	/	/
Indoor unit	Dimension (WxDxH)	mm	1068x675x235	1285x675x235	1650x675x235
	Dimension (WxDxH)	inch	42.05x26.57x9.25	50.59x26.57x9.25	64.96x26.57x9.25
	Packing (WxDxH)	mm	1145x755x313	1360x755x313	1725x755x313
	Packing (WxDxH)	inch	45.08x29.72x12.32	53.54x29.72x12.32	67.91x29.72x12.32
	Net/Gross weight	kg	25/30	30/35	38/44
	Net/Gross weight	lbs.	55.12/66.14	66.14/77.16	83.78/97
Design pressure		PSIG	550/340 PSIG	550/340 PSIG	550/340 PSIG
Drainage water pipe diameter		mm	ODΦ25	ODΦ25	ODΦ25
Refrigerant piping		Liquid side/Gas side	mm(inch)	Φ9.52/Φ15.9(3/8"/5/8")	Φ9.52/Φ15.9(3/8"/5/8")
Controller			Wireless	Wireless	Wireless
Room temperature	Cooling	°C	17~32	17~32	17~32
	Cooling	°F	62~90	62~90	62~90
	Heating	°C	0~30	0~30	0~30
	Heating	°F	32~86	32~86	32~86
Operation temperature		°C	17~30	17~30	17~30
		°F	62~86	62~86	62~86
<b>Outdoor Model</b>			<b>LIHP024000P431</b>	<b>LIHP036000P431</b>	<b>LIHP048000P431</b>
Max. fuse		A	30	50	55
Minimum circuit ampacity		A	20	30	35
Low temperature heating capacity ( 2°C )		Btu/h	16815	20615	34175
Low temperature heating capacity ( -7°C )		Btu/h	17495	18230	28595
Compressor	Model		DA250S2C-30MT	TNB306FPGMC-L	MNB36FAAMC-L
	Type		Twin-rotary	Twin-rotary	Twin-rotary
	Brand		GMCC	Mitsubishi	Mitsubishi
	Capacity	Btu/h	26289	33711	40603
	Input	W	2120	3010	3520
	Rated current (RLA)	A	13.9	22	23.5
	Locked rotor Amp(LRA)	A	/	/	/
	Refrigerant oil	ml	820	1070	1400
Outdoor fan motor	Model		WZDK72-38G	WZDK180-38G	WZDK85-38G
	Qty		1	1	2
	Input	W	72	180	85
	Capacitor		/	/	/
	Speed	r/min	850	860	1000
Outdoor air flow (Max.)		m <sup>3</sup> /h	3500	5500	7200
Outdoor air flow (Max.)		CFM	2060	3240	4240
Outdoor noise level		dB(A)	61.5	66	64
Throttle type			Capillary +EXV	Capillary +EXV	Capillary +EXV
Outdoor unit	Dimension (W×D×H)	mm	900x315x860	990x345x965	938x392x1369
	Dimension (W×D×H)	inch	35.43x12.4x33.86	38.98x13.58x37.99	36.93x15.43x53.9
	Packing (W×D×H)	mm	1043x395x915	1120x435x1100	1095x495x1505
	Packing (W×D×H)	inch	41.06x15.55x36.02	44.09x17.13x43.31	43.11x19.49x59.25
	Net/ Gross weight	kg	61/65	73/83	100/114
	Net/ Gross weight	lbs.	134.48/143.3	160.94/182.98	220.46/251.33
	Refrigerant type/Quantity		Type	R410A	R410A
		Charged volume	Oz	86.5	97.00
Refrigerant precharge		ft	25	25	25
Additional charge for each ft		oz	0.32	0.32	0.32
Design pressure		PSIG	550/340	550/340	550/340
Refrigerant piping	Liquid side/ Gas side	mm(inch)	Φ9.52/Φ15.9(3/8"/5/8")	Φ9.52/Φ15.9(3/8"/5/8")	Φ9.52/Φ15.9(3/8"/5/8")
	Max. pipe length	m	50	65	65
	Max. pipe length	ft	164	213	213
	Max. difference in level	m	25	30	30
	Max. difference in level	ft	82	98	98
Ambient temperature	Cooling	°C	-15~50	-15~50	-15~50
	Cooling	°F	5~122	5~122	5~122
	Heating	°C	-15~24	-15~24	-15~24
	Heating	°F	5~76	5~76	5~76

## 2. Dimensions

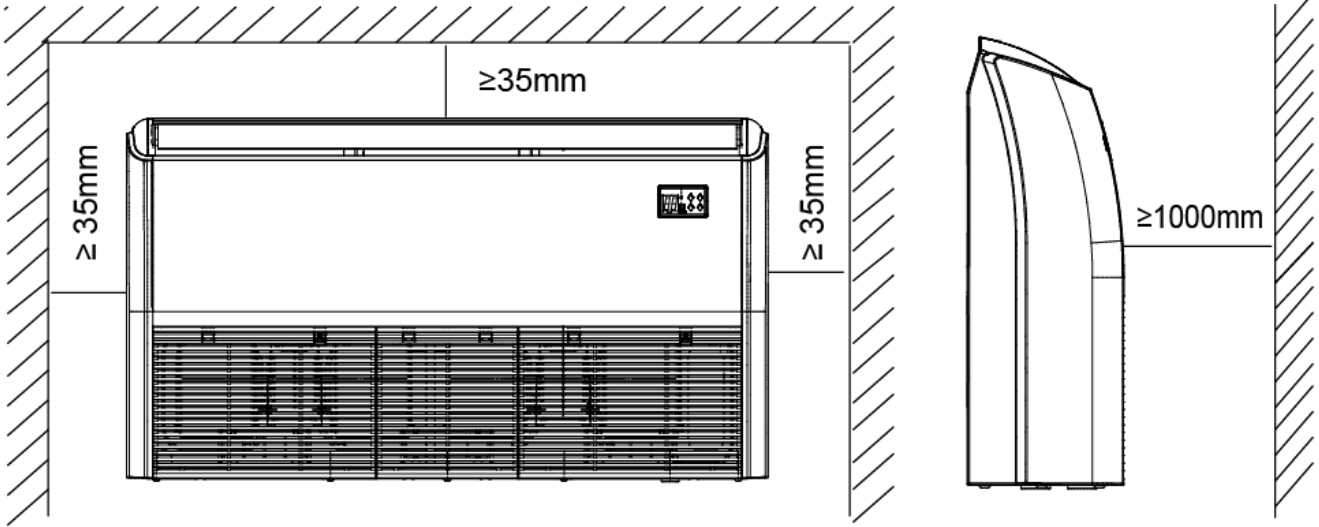
### 24K~48K



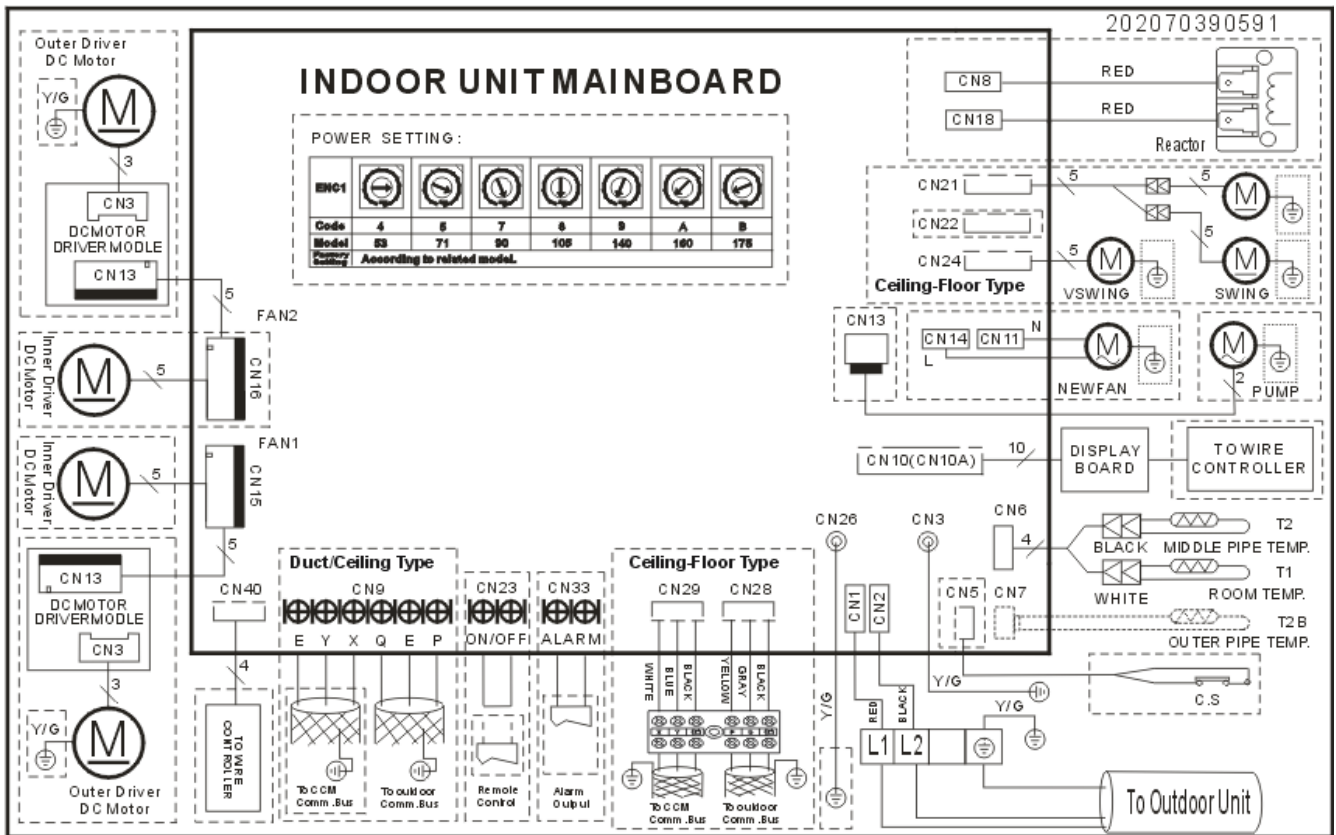
Capacity (Btu/h)	A	B	C	D
24K	1068	675	235	983
36K	1285	675	235	1200
48K	1650	675	235	1565

### 3. Service Space

24K~48K



LIUH024, LIUH036, LIUH048



### FUNCTION SETTING INDICATION

202070590737

**For Setting NETAddress**

S1+S2				
Code	0-F 00	0-F 01	0-F 10	0-F 11
NETAddress	0~15	16~31	32~47	48~63
Factory Setting	<input checked="" type="checkbox"/>			

**For Setting POWER**

ENC1							
Code	4	5	7	8	9	A	B
POWER	53	71	90	105	140	160	175
Factory Setting	According to related model.						

**For Setting static pressure**

ENC2					
Code	0	1	2	3	4
High static pressure	0~50	51~80	81~120	121~150	>150
Middle static pressure	0~25	26~37	38~50	51~100	>100
Factory Setting	<input checked="" type="checkbox"/>				

**For temp. compensation**

SW6				
TYPE	/	/	/	/
DUCTTYPE	3°C	4°C	6°C	According to E Function
CEILING/AND FLOOR TYPE	1°C	4°C	6°C	
Per Setting CEILING TYPE or FLOOR TYPE	FLOOR TYPE	CEILING TYPE		
Factory Setting	<input checked="" type="checkbox"/>			

**For Setting Fan Motor Control then No Power Request**

SW2		
Mode	Fan OFF	Fan ON
Factory Setting	<input checked="" type="checkbox"/>	

**For Setting Auto-Restart**

SW5		
Mode	ON	OFF
Factory Setting	<input checked="" type="checkbox"/>	

**For Setting Fan Quantity (optional)**

SW4		
Mode	Single Fan	Double Fan
Factory Setting	<input checked="" type="checkbox"/>	

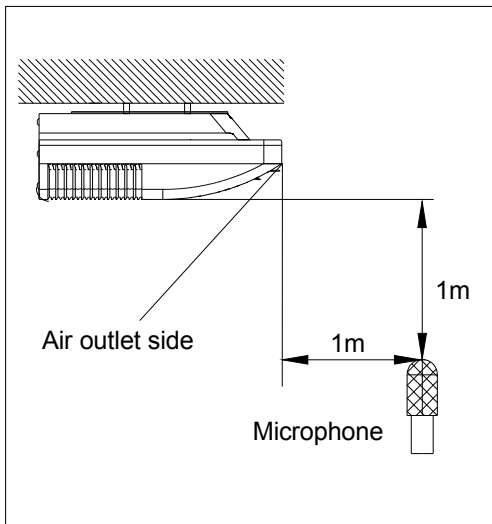
**For Setting Fan Motor Control then No Power Request**

SW1					
TE1	28	30	Fan motor do not stop.		According to E Function
TE2	30	32			
TE3	24	28			
TE4	15	24			
TE5	32	35			
TE6	30	32			
Factory Setting	<input checked="" type="checkbox"/>				

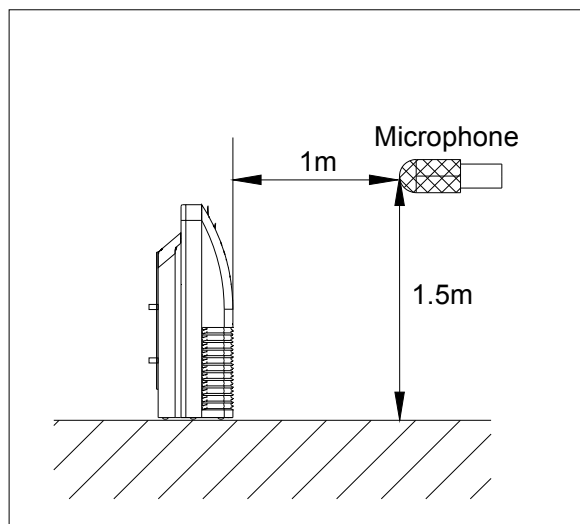
## 5. Electric Characteristics

Model	Indoor Units			
	Hz	Voltage	Min.	Max.
LIUH0541709431	60	208-230V	187V	253V
LIUH036170P431	60	208-230V	187V	253V
LIUH036170P431	60	208-230V	187V	253V

## 6. Sound Levels



**Ceiling**



**Floor**

Model	Noise level dB(A)		
	H	M	L
LIUH024170P431	58.5	55	52
LIUH0361709431	55	48	41
LIUH048170P431	57	54	52

## 7. The Specification of Power

Model		LIUH024170P431	LIUH036170P431	LIUH048170P431
Power	Phase	1-phase	1-phase	1-phase
	Frequency and Voltage	208-230V, 60Hz	208-230V, 60Hz	208-230V, 60Hz
Circuit Breaker/ Fuse (A)		40/30	60/40	70/55
Indoor Unit Power Wiring (mm <sup>2</sup> )		—————	—————	—————
Indoor/Outdoor Connecting Wiring	Ground Wiring	4.0	4.0	4.0
	Outdoor Unit Power Wiring	3×4.0	3×4.0	3×4.0
	Strong Electric Signal	3×1.5	3×1.5	3×1.5
	Weak Electric Signal	3×0.5	3×0.5	3×0.5

## 8. Field Wiring

LIUH024, LIUH06, LIUH048

