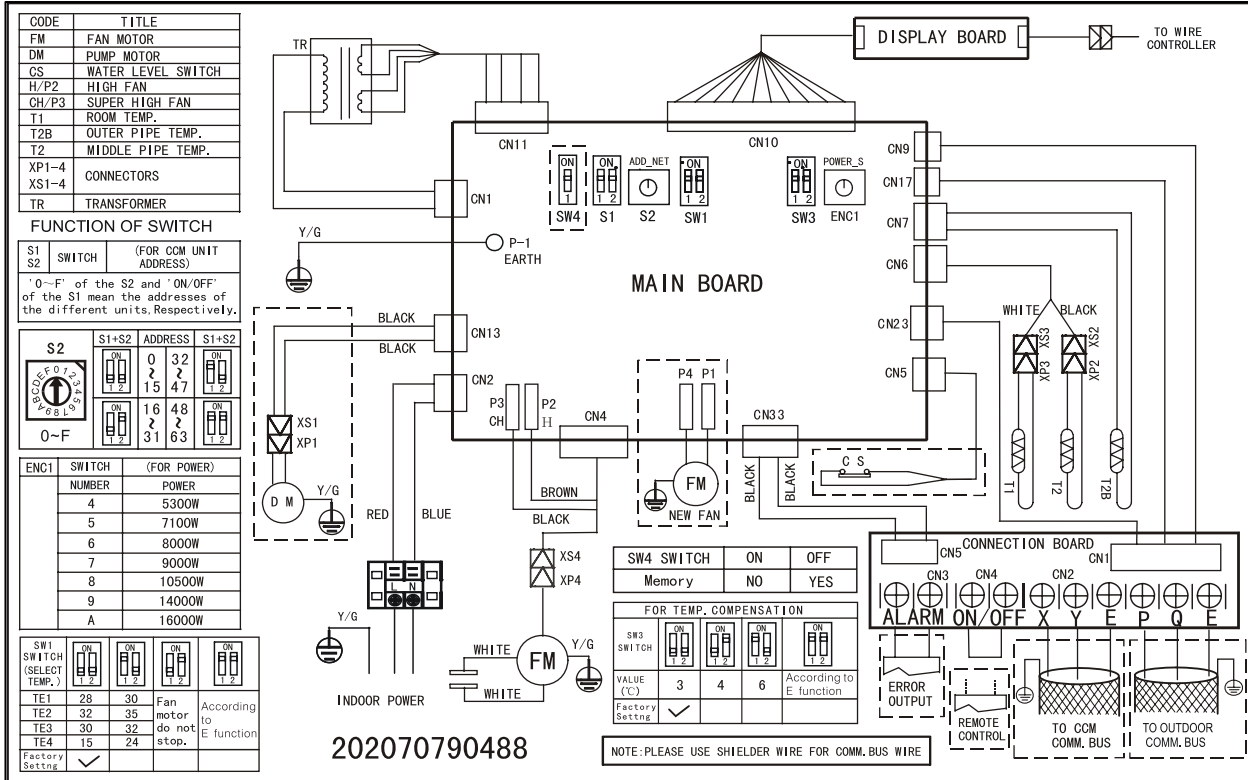
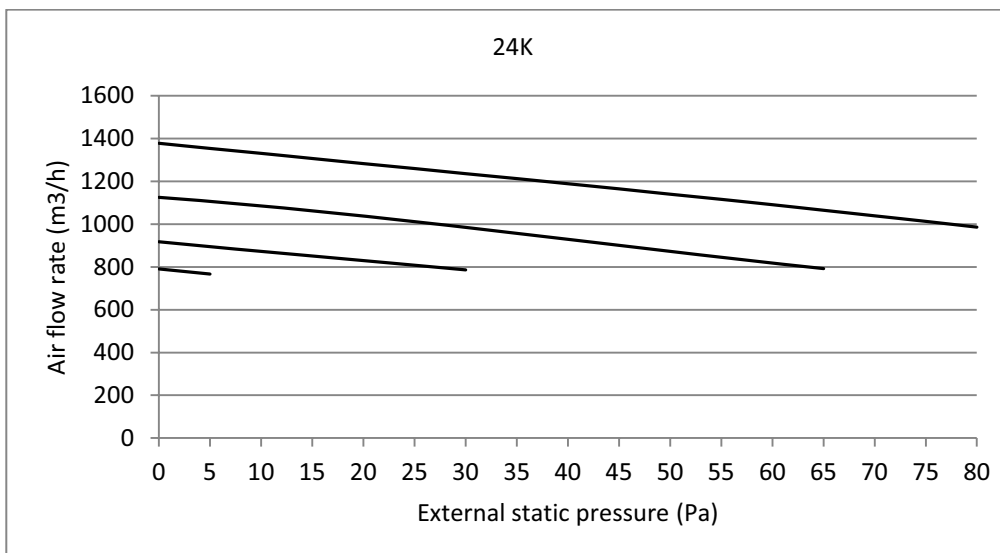
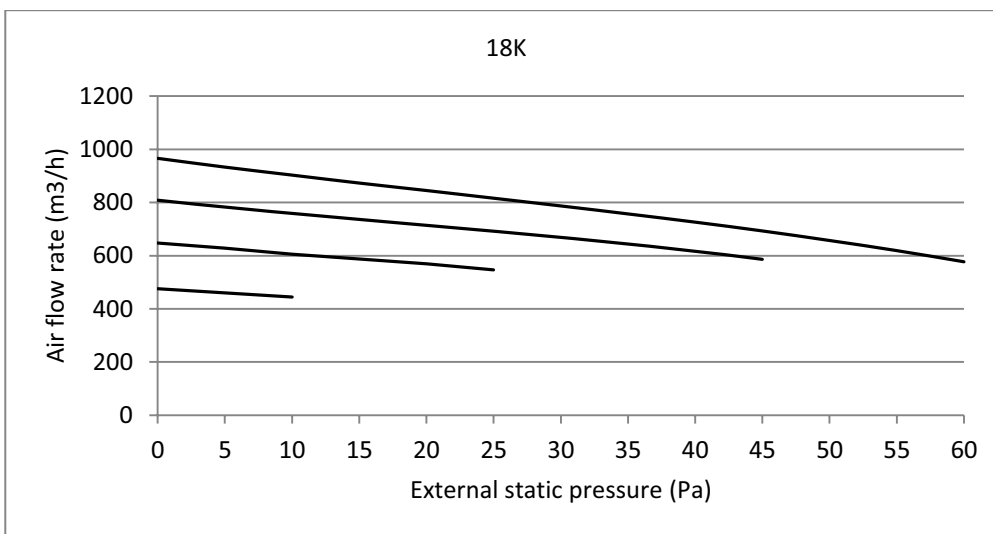
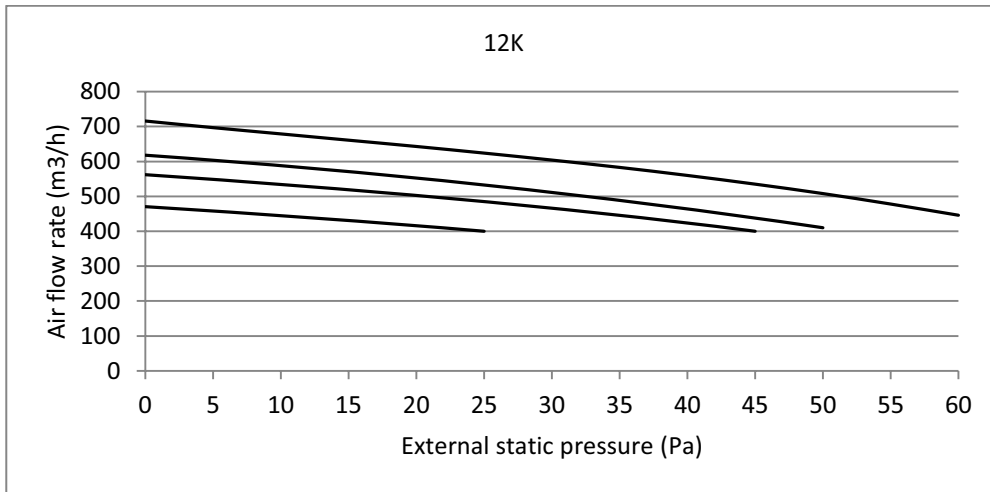
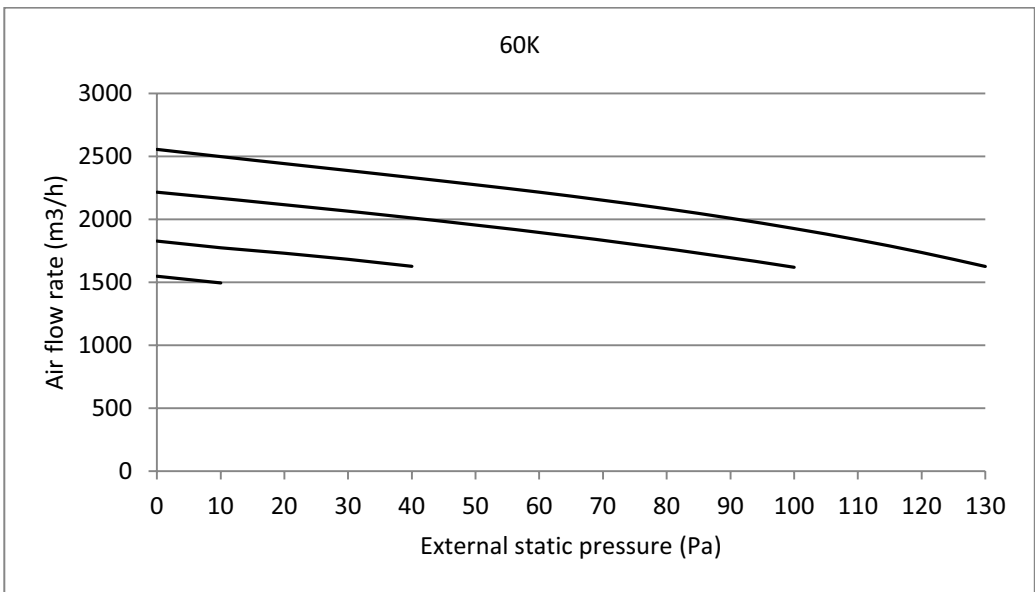
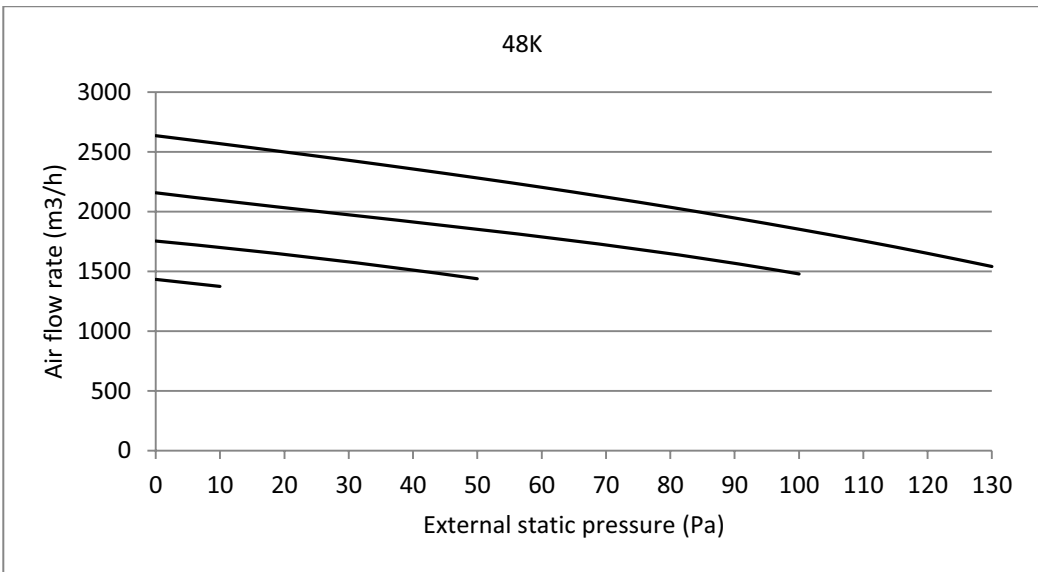
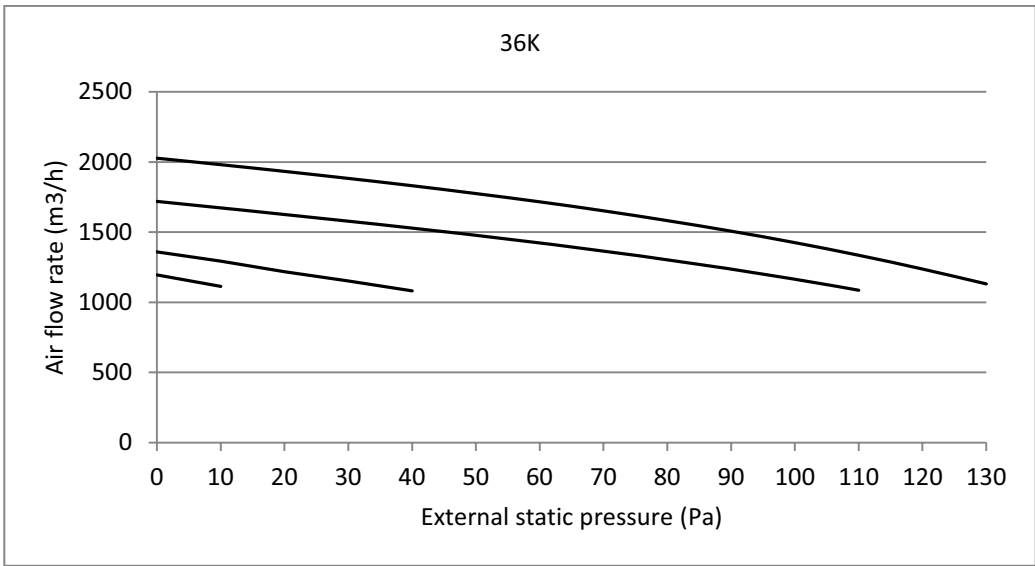


LXGIFHCMD03613T4, LXGIFHCMD04812T4, LXGIFHCMD06014M4



5. Static Pressure





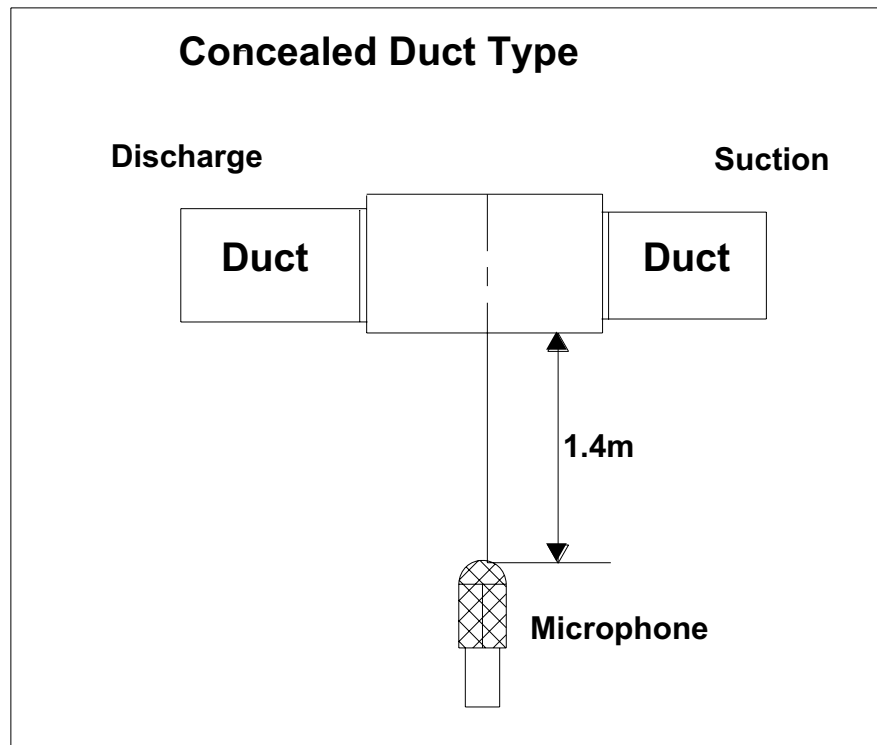
6. Electric Characteristics

Model	Indoor Unit				Power Supply
	Hz	Voltage	Min.	Max.	MFA
LXGIFHCMD01213T4	50	220-240	198	254	15
LXGIFHCMD01813T4	50	220-240	198	254	15
LXGIFHCMD02413T4	50	220-240	198	254	15
LXGIFHCMD03013T4	50	220-240	198	254	15
LXGIFHCMD03613T4	50	220-240	198	254	15
LXGIFHCMD04813T4	50	220-240	198	254	15
LXGIFHCMD06013M4	50	220-240	198	254	15

Note:









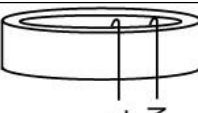
MFA: Max. Fuse Amps. (A)

7. Sound Levels



Model	Noise level dB(A)		
	H	M	L
MTB1-12HWDN1-Q	37	30	26
MTB-18HWDN1-Q	44	36	33
MTB-24HWDN1-Q	45	43	41
MTB-30HWDN1-Q	46	44	42
MTB-36HWDN1-Q	46	44	42
MTB-48HWDN1-Q	47	41	37
MTB-60HWDN1-R	47	45	43

8. Accessories

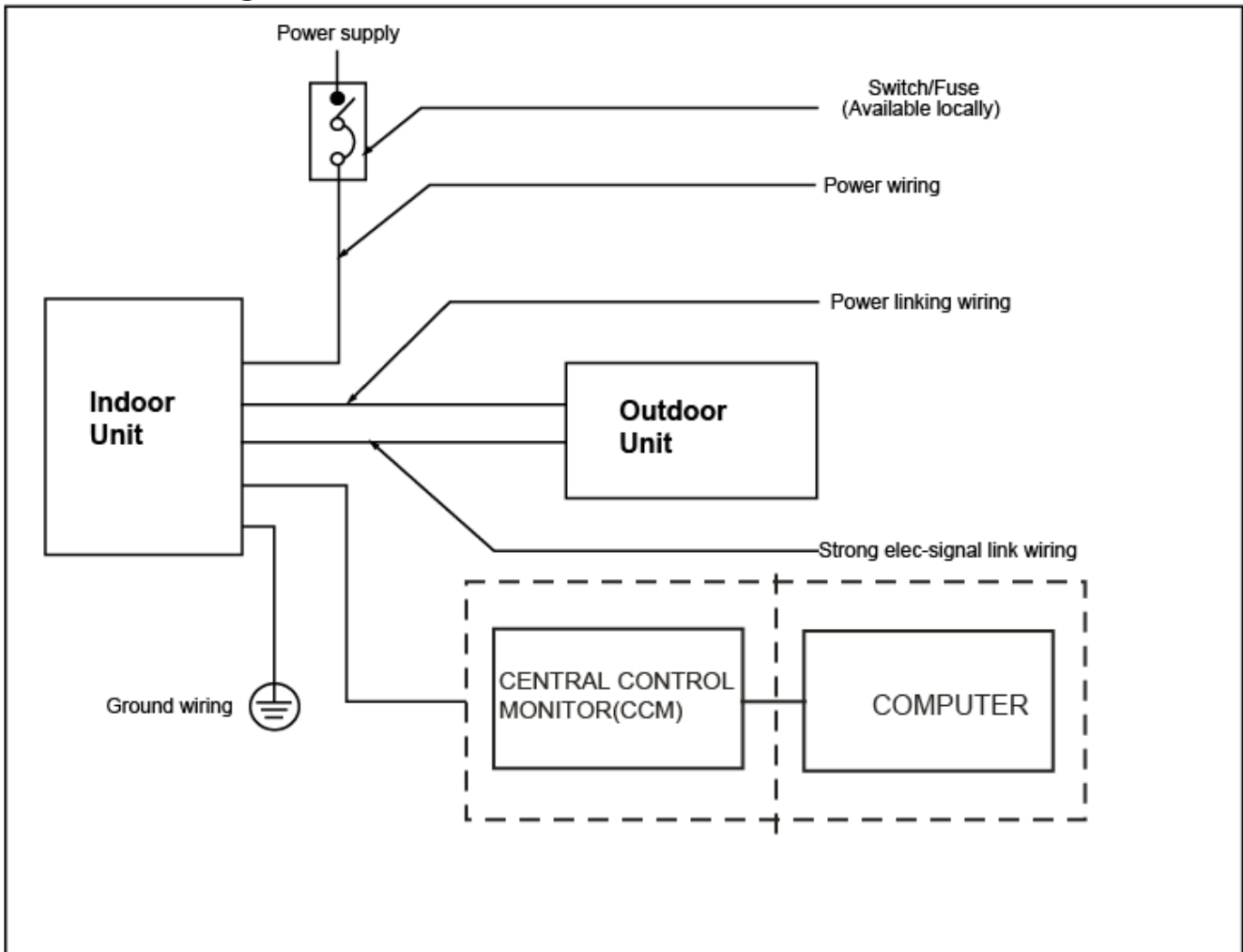
	Name	Shape	Quantity
Tubing & Fittings	Soundproof / insulation sheath		2
	Binding tape		1
	Seal sponge		1
Drainpipe Fittings (for cooling & heating)	Drain joint		1
	Seal ring		1
Wired controller & Its Frame	Wired controller		1
Others	Owner' s manual		1
	Installation manual		1
EMS & It's fitting	Magnetic ring (twist the electric wires L and N around it to five circles)		1

9. The Specification of Power

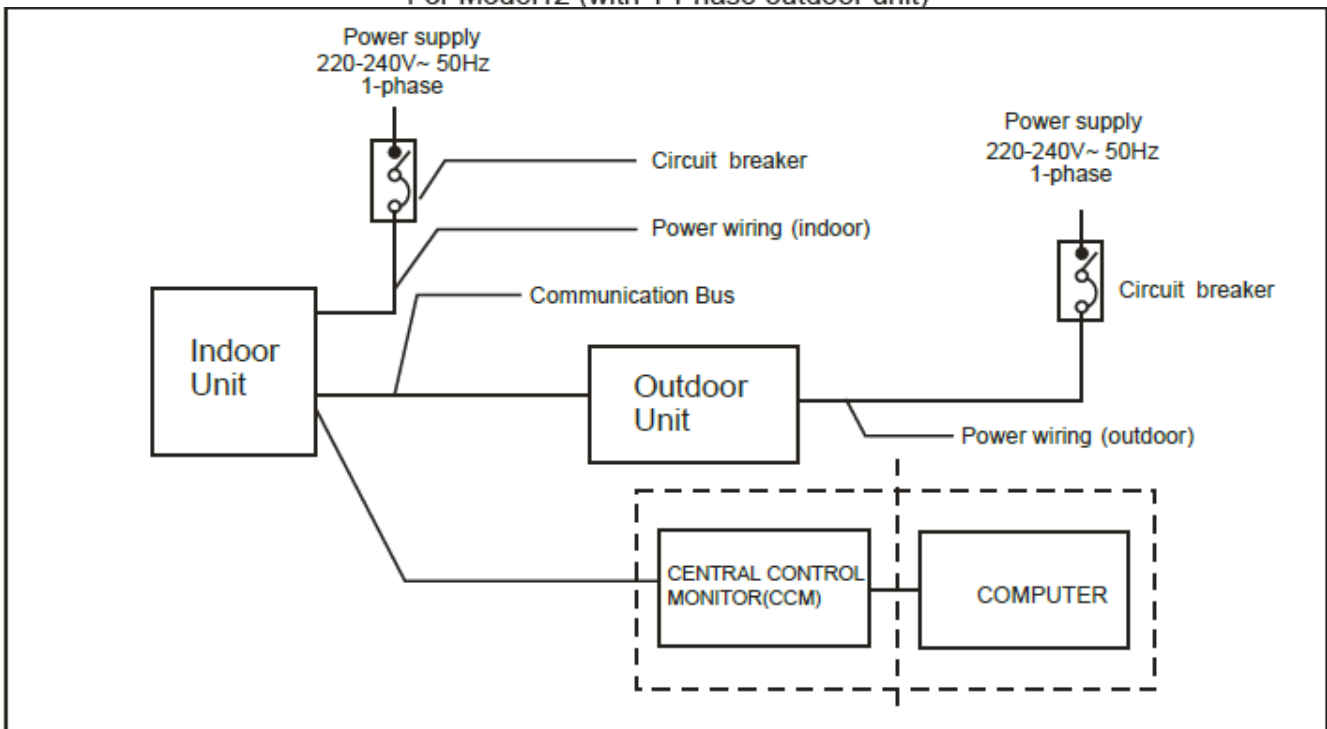
Model		12000Btu/h	18000-24000Btu/h	30000 Btu/h	36000Btu/h
INDOOR UNIT POWER	Phase	1-phase	1-phase	1-phase	1-phase
	Frequency and Voltage	220-240V, 50Hz	220-240V, 50Hz	220-240V, 50Hz	220-240V, 50Hz
	POWER WIRING (mm ²)	3×1.5	3×1.0	3×1.0	3×1.0
	CIRCUIT BREAKER /FUSE (A)	20	15/10	15/10	15/10
OUTDOOR UNIT POWER	Phase	—————	1-phase	1-phase	1-phase
	Frequency and Voltage	—————	220-240V, 50H	220-240V, 50H	220-240V, 50H
	POWER WIRING (mm ²)	—————	3×2.5	3×2.5	3×4.0
	CIRCUIT BREAKER /FUSE(A)	—————	30/20	40/30	40/30
Indoor/Outdoor Connecting Wiring(Weak Electric Signal) (mm ²)		4×1.5	3×0.5	3×0.5	3×0.5
Indoor/Outdoor Connecting Wiring(Strong Electric Signal) (mm ²)		—————	—————	—————	—————

Model		48000Btu/h	60000 Btu/h	36000Btu/h	48000-60000Btu/h
INDOOR UNIT POWER	Phase	1-phase	1-phase	1-phase	1-phase
	Frequency and Voltage	220-240V, 50Hz	220-240V, 50Hz	220-240V, 50Hz	220-240V, 50Hz
	POWER WIRING (mm ²)	3×1.0	3×1.0	3×1.0	3×1.0
	CIRCUIT BREAKER/FUSE (A)	15/10	15/10	15/10	15/10
OUTDOOR UNIT POWER	Phase	1-phase	1-phase	3-phase	3-phase
	Frequency and Voltage	220-240V, 50H	220-240V, 50H	380-415V, 50H	380-415V, 50H
	POWER WIRING (mm ²)	3×4.0	3×4.0	5×2.5	5×2.5
	CIRCUIT BREAKER /FUSE(A)	40/35	50/40	30/20	30/25
Indoor/Outdoor Connecting Wiring (Weak Electric Signal) (mm ²)		3×0.5	3×0.5	3×0.5	3×0.5
Indoor/Outdoor Connecting Wiring (Strong Electric Signal) (mm ²)		—————	—————	—————	—————

10. Field Wiring

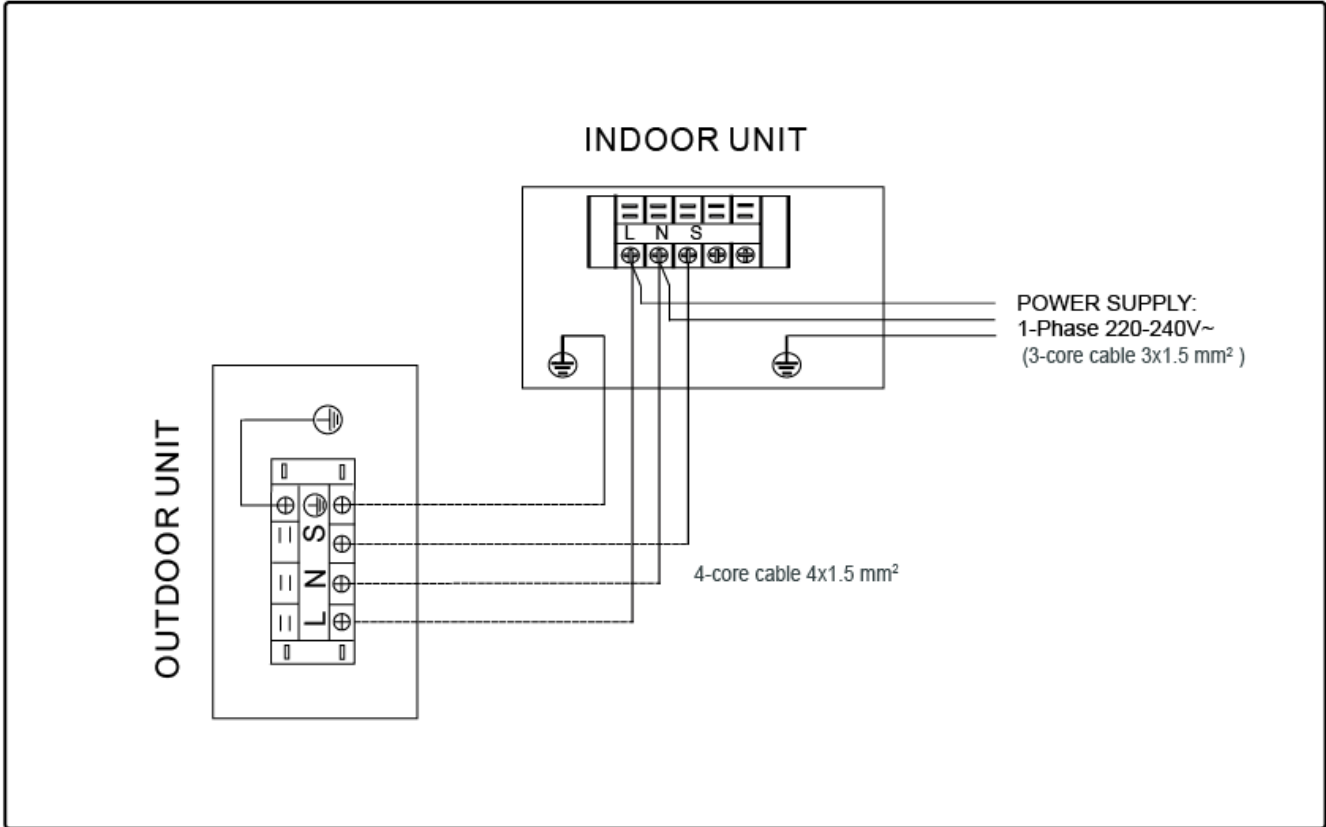


For Model12 (with 1-Phase outdoor unit)



For Model 18-60(with 1-Phase outdoor unit)

Air-conditioner link-circuit.
For model 12



For model 18-60

