



**SUBMITTAL DATA - INDOOR UNIT**  
**VEGD076N432U**  
**VRF LARGE FAN COIL TYPE EVAPORATOR**

**Job Name:** \_\_\_\_\_  
**Location:** \_\_\_\_\_  
**Schedule No.:** \_\_\_\_\_  
**System Designation:** \_\_\_\_\_

**Engineer:** \_\_\_\_\_  
**Architect:** \_\_\_\_\_  
**Date:** \_\_\_\_\_  
**For:** \_\_\_ Reference \_\_\_ Approval \_\_\_ Review \_\_\_ Construction

**FEATURES**

- Auto Addressing installation
- Auto Restart
- Quiet Blower Motor
- Fan Motor Overload Protection
- Built-in Electronic Expansion Valve
- Washable Filter
- Water Overflow Protection
- Anti-Freezing Protection

**PRODUCT WARRANTY**

All covered components - one year limited warranty

**SPECIFICATIONS**

**PERFORMANCE**

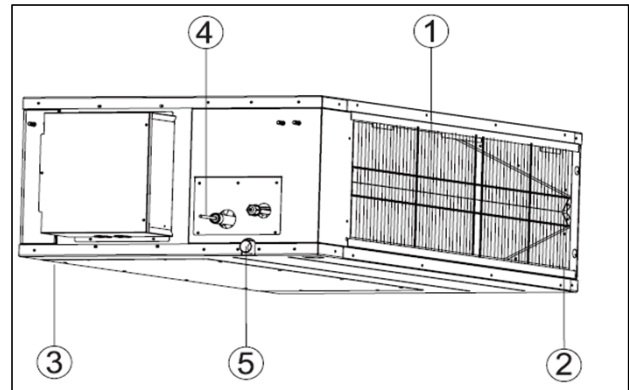
|                            |           |           |
|----------------------------|-----------|-----------|
| Cooling Capacity* (Btu/h)  |           | 76,430    |
| Heating Capacity* (Btu/h)  |           | 85,300    |
| Airflow (CFM)              | High      | 2355      |
|                            | Medium    | --        |
|                            | Low       | --        |
| External Static Pressure   | Pa        | 50 - 200  |
|                            | in. WC    | 0 - 0.8   |
| Sound Pressure Level (dBA) | H / M / L | 54/ - / - |

**ELECTRICAL DATA**

|                            |                             |
|----------------------------|-----------------------------|
| Power Supply (V / Hz / Ph) | 220-240/50/1 - 208-230/60/1 |
| MOP (A)                    | 10                          |
| Rated Current (A)          | Cooling 4.1                 |
|                            | Heating 4.1                 |

**DIMENSIONS**

|                             |        |        |
|-----------------------------|--------|--------|
| Unit Dimensions (in)        | Height | 15 1/5 |
|                             | Width  | 58 1/4 |
|                             | Depth  | 31 1/4 |
| Liquid Pipe Connection (in) |        | 3/8    |
| Gas Pipe Connection (in)    |        | 3/4    |
| Shipping Weight (lb)        |        | 229.3  |
| Net Weight (lb)             |        | 180.8  |



1. Air Filter
2. Air Inlet
3. Air Outlet
4. Refrigerant Ports
5. Drain Pipe

**NOTES:**

\*Cooling and Heating Capacity data is rated at the following conditions:

Cooling: 80 °F DB / 67 °F WB Indoor, 95 °F DB Outdoor

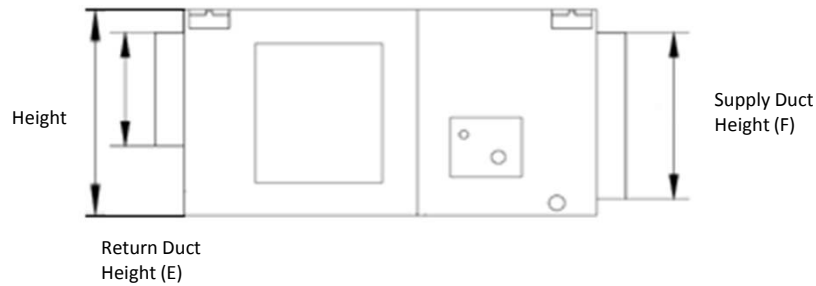
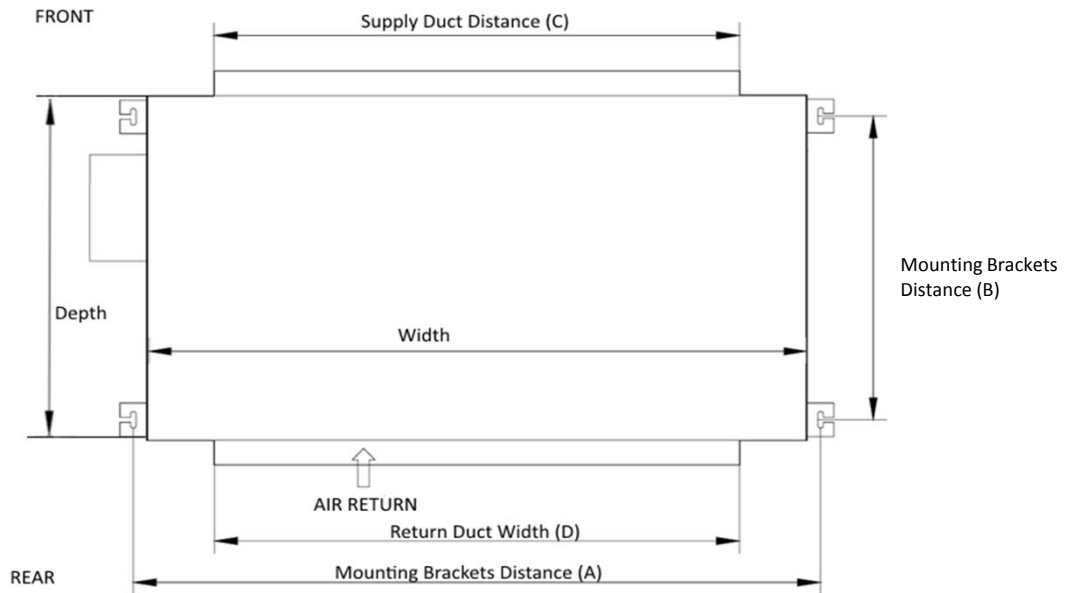
Heating: 70 °F DB Indoor, 47 °F DB

NOTE – Due to Lennox' ongoing commitment to quality, Specifications, Ratings and Dimensions subject to change without notice and without incurring liability. Improper installation, adjustment, alteration, service or maintenance can cause property damage or personal injury. Installation and service must be performed by a qualified installer and servicing agency. ©2014 Lennox Industries Inc.



**SUBMITTAL DATA - INDOOR UNIT**  
**VEGD076N432U**  
**VRF LARGE FAN COIL TYPE EVAPORATOR**

**DIMENSIONAL DRAWINGS**



|          | mm   | in    |
|----------|------|-------|
| <b>H</b> | 385  | 15.16 |
| <b>W</b> | 1483 | 58.39 |
| <b>D</b> | 385  | 15.16 |
| <b>A</b> | 1563 | 61.54 |
| <b>B</b> | 706  | 27.80 |
| <b>C</b> | 992  | 39.06 |
| <b>D</b> | 1350 | 53.15 |
| <b>E</b> | 192  | 7.56  |
| <b>F</b> | 402  | 15.83 |

NOTE – Due to Lennox' ongoing commitment to quality, Specifications, Ratings and Dimensions subject to change without notice and without incurring liability. Improper installation, adjustment, alteration, service or maintenance can cause property damage or personal injury. Installation and service must be performed by a qualified installer and servicing agency. ©2014 Lennox Industries Inc.



**SUBMITTAL DATA - INDOOR UNIT**  
**VEGD095N432U**  
**VRF LARGE FAN COIL TYPE EVAPORATOR**

**Job Name:** \_\_\_\_\_  
**Location:** \_\_\_\_\_  
**Schedule No.:** \_\_\_\_\_  
**System Designation:** \_\_\_\_\_

**Engineer:** \_\_\_\_\_  
**Architect:** \_\_\_\_\_  
**Date:** \_\_\_\_\_  
**For:** \_\_\_ Reference \_\_\_ Approval \_\_\_ Review \_\_\_ Construction

**FEATURES**

- Auto Addressing installation
- Auto Restart
- Quiet Blower Motor
- Fan Motor Overload Protection
- Built-in Electronic Expansion Valve
- Washable Filter
- Water Overflow Protection
- Anti-Freezing Protection

**PRODUCT WARRANTY**

All covered components - one year limited warranty

**SPECIFICATIONS**

**PERFORMANCE**

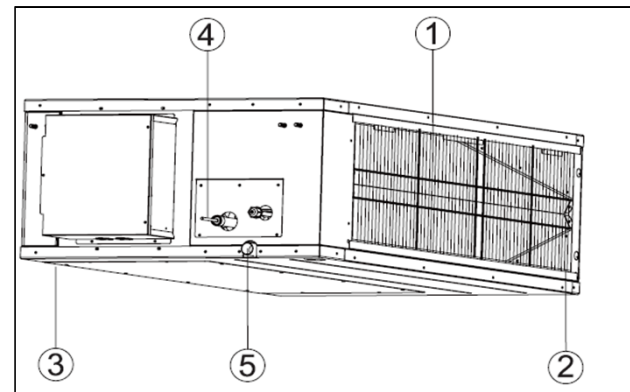
|                            |           |            |
|----------------------------|-----------|------------|
| Cooling Capacity* (Btu/h)  |           | 95,540     |
| Heating Capacity* (Btu/h)  |           | 105,770    |
| Airflow (CFM)              | High      | 2590       |
|                            | Medium    | --         |
|                            | Low       | --         |
| External Static Pressure   | Pa        | 50 - 200   |
|                            | in. WC    | 0 - 0.8    |
| Sound Pressure Level (dBA) | H / M / L | 55 / - / - |

**ELECTRICAL DATA**

|                            |                             |
|----------------------------|-----------------------------|
| Power Supply (V / Hz / Ph) | 220-240/50/1 - 208-230/60/1 |
| MOP (A)                    | 16                          |
| Rated Current (A)          | Cooling 4.6                 |
|                            | Heating 4.6                 |

**DIMENSIONS**

|                             |        |        |
|-----------------------------|--------|--------|
| Unit Dimensions (in)        | Height | 17 3/4 |
|                             | Width  | 66 1/4 |
|                             | Depth  | 34 1/4 |
| Liquid Pipe Connection (in) |        | 3/8    |
| Gas Pipe Connection (in)    |        | 7/8    |
| Shipping Weight (lb)        |        | 308.7  |
| Net Weight (lb)             |        | 231.5  |



1. Air Filter
2. Air Inlet
3. Air Outlet
4. Refrigerant Ports
5. Drain Pipe

**NOTES:**

\*Cooling and Heating Capacity data is rated at the following conditions:

Cooling: 80 °F DB / 67 °F WB Indoor, 95 °F DB Outdoor

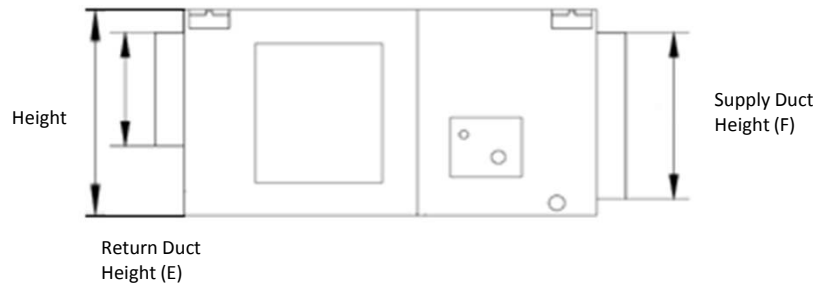
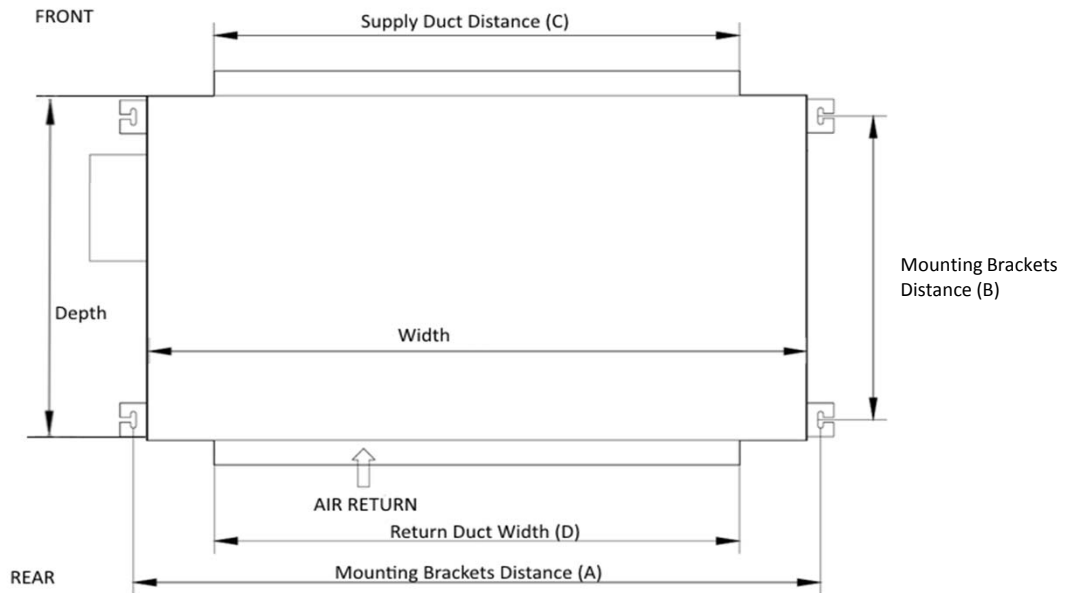
Heating: 70 °F DB Indoor, 47 °F DB

NOTE – Due to Lennox' ongoing commitment to quality, Specifications, Ratings and Dimensions subject to change without notice and without incurring liability. Improper installation, adjustment, alteration, service or maintenance can cause property damage or personal injury. Installation and service must be performed by a qualified installer and servicing agency. ©2014 Lennox Industries Inc.



**SUBMITTAL DATA - INDOOR UNIT**  
**VEGD095N432U**  
**VRF LARGE FAN COIL TYPE EVAPORATOR**

**DIMENSIONAL DRAWINGS**



|          | mm   | in    |
|----------|------|-------|
| <b>H</b> | 450  | 17.72 |
| <b>W</b> | 1686 | 66.38 |
| <b>D</b> | 870  | 34.25 |
| <b>A</b> | 1563 | 61.54 |
| <b>B</b> | 706  | 27.80 |
| <b>C</b> | 992  | 39.06 |
| <b>D</b> | 1350 | 53.15 |
| <b>E</b> | 192  | 7.56  |
| <b>F</b> | 402  | 15.83 |

NOTE – Due to Lennox' ongoing commitment to quality, Specifications, Ratings and Dimensions subject to change without notice and without incurring liability. Improper installation, adjustment, alteration, service or maintenance can cause property damage or personal injury. Installation and service must be performed by a qualified installer and servicing agency. ©2014 Lennox Industries Inc.