



**SUBMITTAL DATA - INDOOR UNIT**  
**VESD007N432U**  
**VRF SLIM FAN COIL TYPE EVAPORATOR**

**Job Name:** \_\_\_\_\_  
**Location:** \_\_\_\_\_  
**Schedule No.:** \_\_\_\_\_  
**System Designation:** \_\_\_\_\_

**Engineer:** \_\_\_\_\_  
**Architect:** \_\_\_\_\_  
**Date:** \_\_\_\_\_  
**For:** \_\_\_ Reference \_\_\_ Approval \_\_\_ Review \_\_\_ Construction

**FEATURES**

- Auto Addressing installation
- Auto Restart
- Ultra Quiet Blower Motor
- Integrated Condensate Pump
- Built-in Electronic Expansion Valve
- LED Display Optional
- Washable Filter
- Water Overflow Protection
- Anti-Freezing Protection

**PRODUCT WARRANTY**

All covered components - one year limited warranty

**SPECIFICATIONS**

**PERFORMANCE**

Cooling Capacity* (Btu/h)		7,506
Heating Capacity* (Btu/h)		8,530
Airflow (CFM)	High	265
	Medium	235
	Low	188
External Static Pressure	Pa	0 - 15
	in. WC	0 - 0.06
Sound Pressure Level (dBA)	H / M / L	30/28/22

**ELECTRICAL DATA**

Power Supply (V / Hz / Ph)	220-240/50/1 - 208-230/60/1
MOP (A)	6
Rated Current (A)	Cooling 0.2
	Heating 0.2

**DIMENSIONS**

Unit Dimensions (in)	Height	7 3/4
	Width	28
	Depth	17 3/4
Liquid Pipe Connection (in)		1/4
Gas Pipe Connection (in)		3/8
Shipping Weight (lb)		48.5
Net Weight (lb)		40.8



1. Drain Pipe
2. Electronics Compartment
3. Hanging Brackets
4. Supply Air Outlet
5. Return Air Inlet

**NOTES:**

\*Cooling and Heating Capacity data is rated at the following conditions:

Cooling: 80 °F DB / 67 °F WB Indoor, 95 °F DB Outdoor

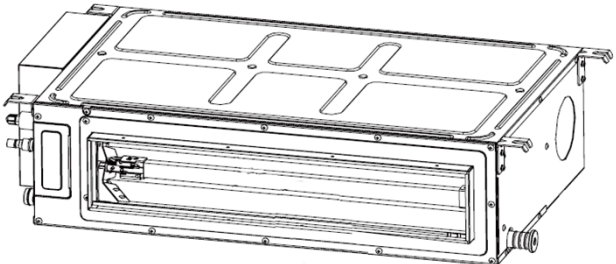
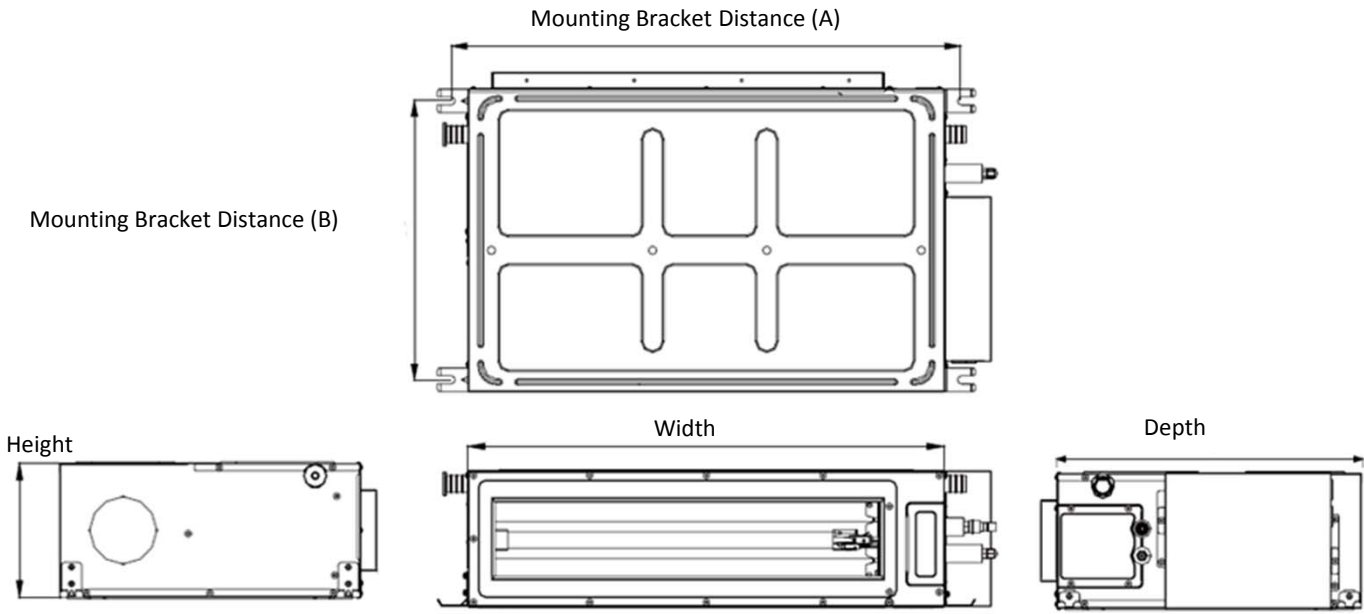
Heating: 70 °F DB Indoor, 47 °F DB

NOTE – Due to Lennox' ongoing commitment to quality, Specifications, Ratings and Dimensions subject to change without notice and without incurring liability. Improper installation, adjustment, alteration, service or maintenance can cause property damage or personal injury. Installation and service must be performed by a qualified installer and servicing agency. ©2015 Lennox Industries Inc.



**SUBMITTAL DATA - INDOOR UNIT**  
**VESD007N432U**  
**VRF SLIM FAN COIL TYPE EVAPORATOR**

**DIMENSIONAL DRAWINGS**



	mm	in
<b>H</b>	200	7.87
<b>W</b>	710	27.95
<b>D</b>	450	17.72
<b>A</b>	760	29.92
<b>B</b>	415	16.34

NOTE – Due to Lennox' ongoing commitment to quality, Specifications, Ratings and Dimensions subject to change without notice and without incurring liability. Improper installation, adjustment, alteration, service or maintenance can cause property damage or personal injury. Installation and service must be performed by a qualified installer and servicing agency. ©2015 Lennox Industries Inc.



**SUBMITTAL DATA - INDOOR UNIT**  
**VESD008N432U**  
**VRF SLIM FAN COIL TYPE EVAPORATOR**

**Job Name:** \_\_\_\_\_  
**Location:** \_\_\_\_\_  
**Schedule No.:** \_\_\_\_\_  
**System Designation:** \_\_\_\_\_

**Engineer:** \_\_\_\_\_  
**Architect:** \_\_\_\_\_  
**Date:** \_\_\_\_\_  
**For:** \_\_\_ Reference \_\_\_ Approval \_\_\_ Review \_\_\_ Construction

**FEATURES**

- Auto Addressing installation
- Auto Restart
- Ultra Quiet Blower Motor
- Integrated Condensate Pump
- Built-in Electronic Expansion Valve
- LED Display Optional
- Washable Filter
- Water Overflow Protection
- Anti-Freezing Protection

**PRODUCT WARRANTY**

All covered components - one year limited warranty

**SPECIFICATIONS**

**PERFORMANCE**

Cooling Capacity* (Btu/h)		8,530
Heating Capacity* (Btu/h)		9,554
Airflow (CFM)	High	265
	Medium	235
	Low	188
External Static Pressure	Pa	0 - 15
	in. WC	0 - 0.06
Sound Pressure Level (dBA)	H / M / L	30/28/22

**ELECTRICAL DATA**

Power Supply (V / Hz / Ph)	220-240/50/1 - 208-230/60/1
MOP (A)	6
Rated Current (A)	Cooling 0.2
	Heating 0.2

**DIMENSIONS**

Unit Dimensions (in)	Height	7 3/4
	Width	28
	Depth	17 3/4
Liquid Pipe Connection (in)		1/4
Gas Pipe Connection (in)		3/8
Shipping Weight (lb)		48.5
Net Weight (lb)		40.8



1. Drain Pipe
2. Electronics Compartment
3. Hanging Brackets
4. Supply Air Outlet
5. Return Air Inlet

**NOTES:**

\*Cooling and Heating Capacity data is rated at the following conditions:

Cooling: 80 °F DB / 67 °F WB Indoor, 95 °F DB Outdoor

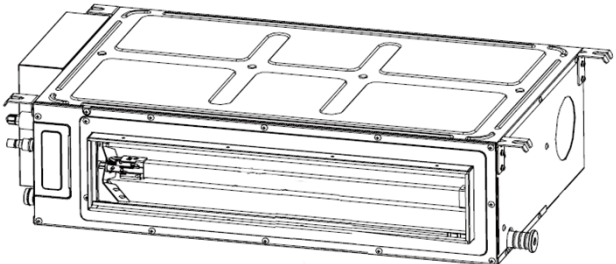
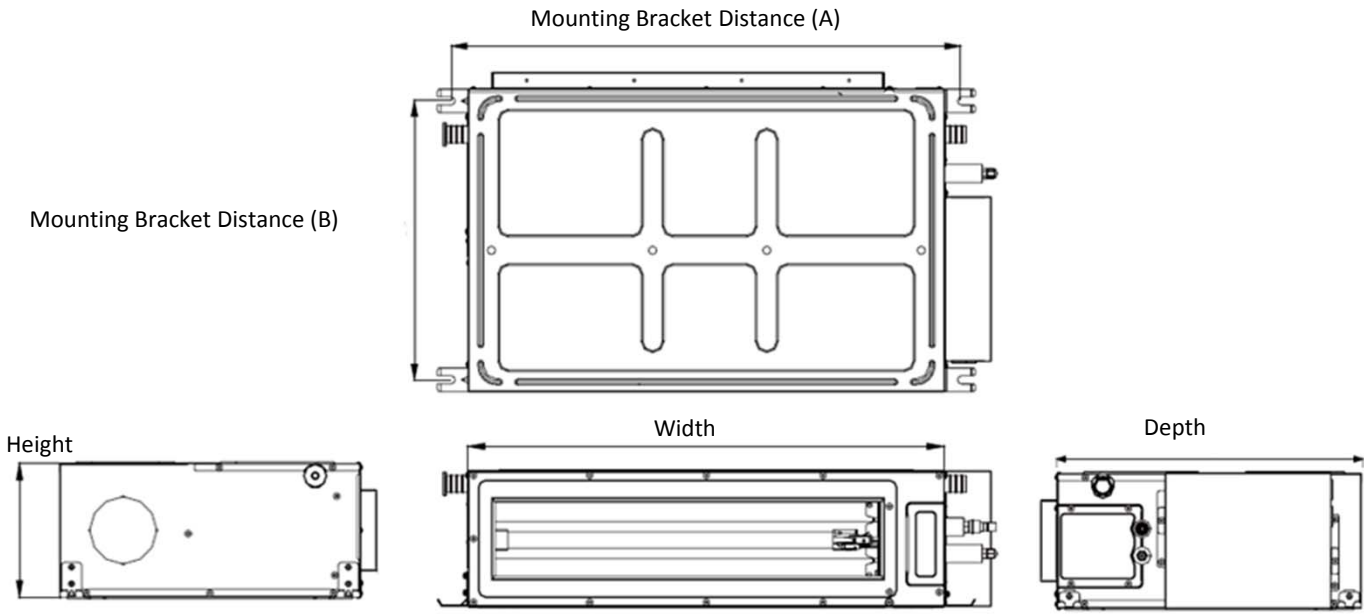
Heating: 70 °F DB Indoor, 47 °F DB

NOTE – Due to Lennox' ongoing commitment to quality, Specifications, Ratings and Dimensions subject to change without notice and without incurring liability. Improper installation, adjustment, alteration, service or maintenance can cause property damage or personal injury. Installation and service must be performed by a qualified installer and servicing agency. ©2015 Lennox Industries Inc.



**SUBMITTAL DATA - INDOOR UNIT**  
**VESD008N432U**  
**VRF SLIM FAN COIL TYPE EVAPORATOR**

**DIMENSIONAL DRAWINGS**



	mm	in
<b>H</b>	200	7.87
<b>W</b>	710	27.95
<b>D</b>	450	17.72
<b>A</b>	760	29.92
<b>B</b>	415	16.34

NOTE – Due to Lennox' ongoing commitment to quality, Specifications, Ratings and Dimensions subject to change without notice and without incurring liability. Improper installation, adjustment, alteration, service or maintenance can cause property damage or personal injury. Installation and service must be performed by a qualified installer and servicing agency. ©2015 Lennox Industries Inc.



**SUBMITTAL DATA - INDOOR UNIT**  
**VESD009N432U**  
**VRF SLIM FAN COIL TYPE EVAPORATOR**

**Job Name:** \_\_\_\_\_  
**Location:** \_\_\_\_\_  
**Schedule No.:** \_\_\_\_\_  
**System Designation:** \_\_\_\_\_

**Engineer:** \_\_\_\_\_  
**Architect:** \_\_\_\_\_  
**Date:** \_\_\_\_\_  
**For:** \_\_\_ Reference \_\_\_ Approval \_\_\_ Review \_\_\_ Construction

**FEATURES**

- Auto Addressing installation
- Auto Restart
- Ultra Quiet Blower Motor
- Integrated Condensate Pump
- Built-in Electronic Expansion Valve
- LED Display Optional
- Washable Filter
- Water Overflow Protection
- Anti-Freezing Protection

**PRODUCT WARRANTY**

All covered components - one year limited warranty

**SPECIFICATIONS**

**PERFORMANCE**

Cooling Capacity* (Btu/h)		9,554
Heating Capacity* (Btu/h)		10,918
Airflow (CFM)	High	265
	Medium	235
	Low	188
External Static Pressure	Pa	0 - 15
	in. WC	0 - 0.06
Sound Pressure Level (dBA)	H / M / L	30/28/22

**ELECTRICAL DATA**

Power Supply (V / Hz / Ph)	220-240/50/1 - 208-230/60/1
MOP (A)	6
Rated Current (A)	Cooling 0.2
	Heating 0.2

**DIMENSIONS**

Unit Dimensions (in)	Height	7 3/4
	Width	28
	Depth	17 3/4
Liquid Pipe Connection (in)		1/4
Gas Pipe Connection (in)		3/8
Shipping Weight (lb)		48.5
Net Weight (lb)		40.8



1. Drain Pipe
2. Electronics Compartment
3. Hanging Brackets
4. Supply Air Outlet
5. Return Air Inlet

**NOTES:**

\*Cooling and Heating Capacity data is rated at the following conditions:

Cooling: 80 °F DB / 67 °F WB Indoor, 95 °F DB Outdoor

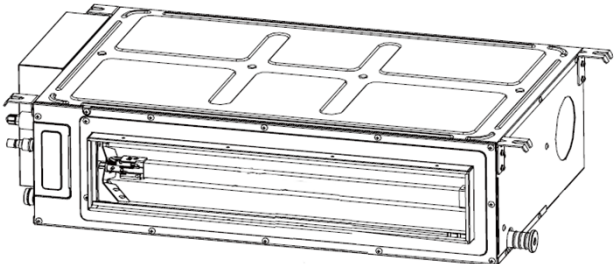
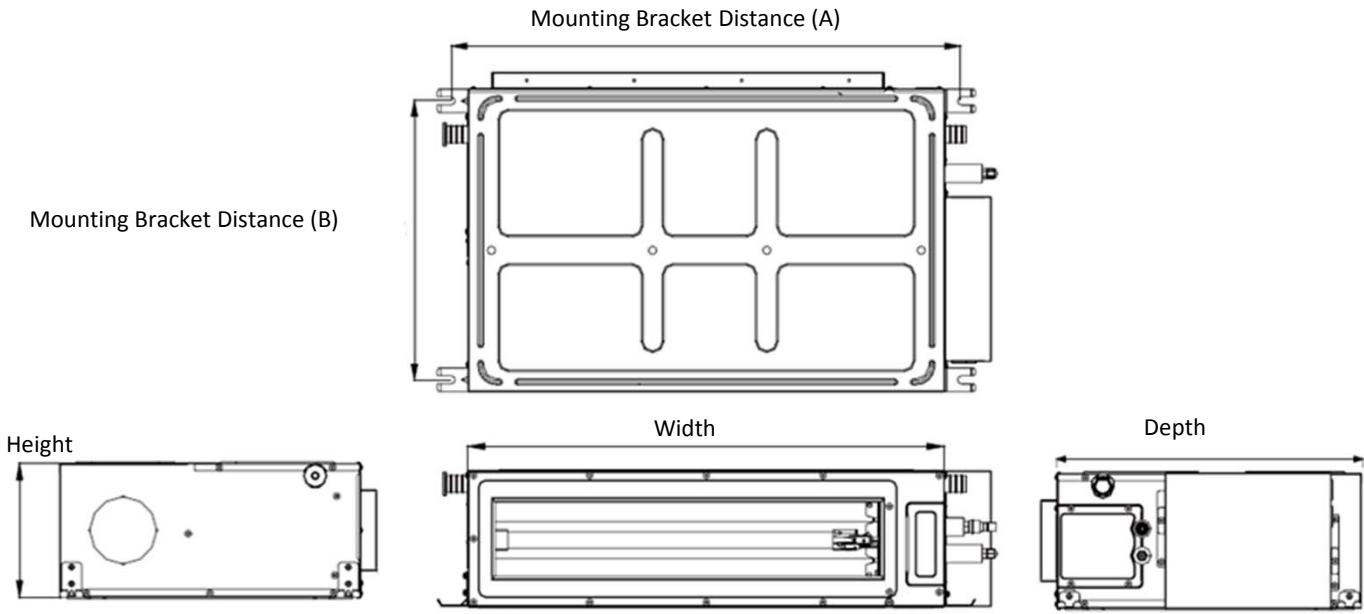
Heating: 70 °F DB Indoor, 47 °F DB

NOTE – Due to Lennox' ongoing commitment to quality, Specifications, Ratings and Dimensions subject to change without notice and without incurring liability. Improper installation, adjustment, alteration, service or maintenance can cause property damage or personal injury. Installation and service must be performed by a qualified installer and servicing agency. ©2015 Lennox Industries Inc.



**SUBMITTAL DATA - INDOOR UNIT**  
**VESD009N432U**  
**VRF SLIM FAN COIL TYPE EVAPORATOR**

**DIMENSIONAL DRAWINGS**



	mm	in
<b>H</b>	200	7.87
<b>W</b>	710	27.95
<b>D</b>	450	17.72
<b>A</b>	760	29.92
<b>B</b>	415	16.34

NOTE – Due to Lennox' ongoing commitment to quality, Specifications, Ratings and Dimensions subject to change without notice and without incurring liability. Improper installation, adjustment, alteration, service or maintenance can cause property damage or personal injury. Installation and service must be performed by a qualified installer and servicing agency. ©2015 Lennox Industries Inc.



**SUBMITTAL DATA - INDOOR UNIT**  
**VESD011N432U**  
**VRF SLIM FAN COIL TYPE EVAPORATOR**

**Job Name:** \_\_\_\_\_  
**Location:** \_\_\_\_\_  
**Schedule No.:** \_\_\_\_\_  
**System Designation:** \_\_\_\_\_

**Engineer:** \_\_\_\_\_  
**Architect:** \_\_\_\_\_  
**Date:** \_\_\_\_\_  
**For:** \_\_\_ Reference \_\_\_ Approval \_\_\_ Review \_\_\_ Construction

**FEATURES**

- Auto Addressing installation
- Auto Restart
- Ultra Quiet Blower Motor
- Integrated Condensate Pump
- Built-in Electronic Expansion Valve
- LED Display Optional
- Washable Filter
- Water Overflow Protection
- Anti-Freezing Protection

**PRODUCT WARRANTY**

All covered components - one year limited warranty

**SPECIFICATIONS**

**PERFORMANCE**

Cooling Capacity* (Btu/h)		10,918
Heating Capacity* (Btu/h)		12,283
Airflow (CFM)	High	324
	Medium	265
	Low	200
External Static Pressure	Pa	0 - 15
	in. WC	0 - 0.06
Sound Pressure Level (dBA)	H / M / L	31/29/25

**ELECTRICAL DATA**

Power Supply (V / Hz / Ph)	220-240/50/1 - 208-230/60/1
MOP (A)	6
Rated Current (A)	Cooling 0.3
	Heating 0.3

**DIMENSIONS**

Unit Dimensions (in)	Height	7 3/4
	Width	28
	Depth	17 3/4
Liquid Pipe Connection (in)		1/4
Gas Pipe Connection (in)		3/8
Shipping Weight (lb)		50.7
Net Weight (lb)		43



1. Drain Pipe
2. Electronics Compartment
3. Hanging Brackets
4. Supply Air Outlet
5. Return Air Inlet

**NOTES:**

\*Cooling and Heating Capacity data is rated at the following conditions:

Cooling: 80 °F DB / 67 °F WB Indoor, 95 °F DB Outdoor

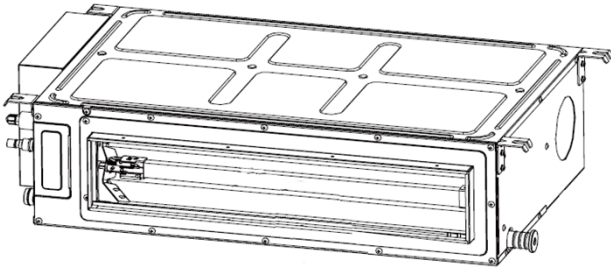
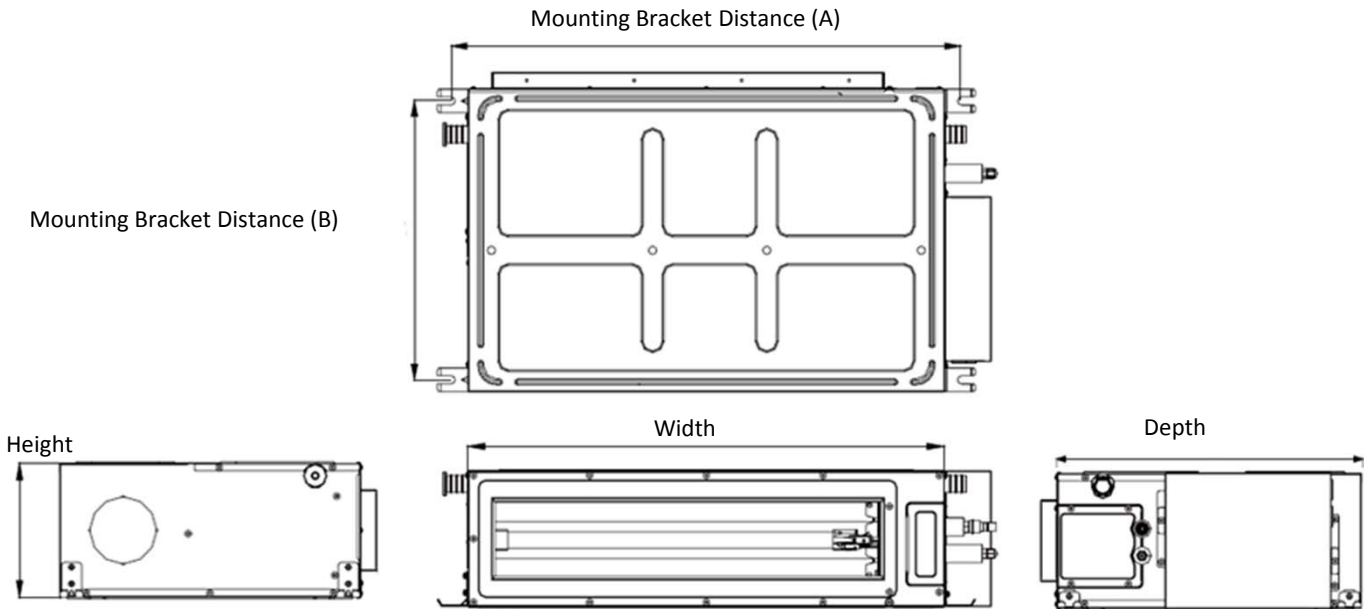
Heating: 70 °F DB Indoor, 47 °F DB

NOTE – Due to Lennox' ongoing commitment to quality, Specifications, Ratings and Dimensions subject to change without notice and without incurring liability. Improper installation, adjustment, alteration, service or maintenance can cause property damage or personal injury. Installation and service must be performed by a qualified installer and servicing agency. ©2015 Lennox Industries Inc.



**SUBMITTAL DATA - INDOOR UNIT**  
**VESD011N432U**  
**VRF SLIM FAN COIL TYPE EVAPORATOR**

**DIMENSIONAL DRAWINGS**



	mm	in
<b>H</b>	200	7.87
<b>W</b>	710	27.95
<b>D</b>	450	17.72
<b>A</b>	760	29.92
<b>B</b>	415	16.34

NOTE – Due to Lennox' ongoing commitment to quality, Specifications, Ratings and Dimensions subject to change without notice and without incurring liability. Improper installation, adjustment, alteration, service or maintenance can cause property damage or personal injury. Installation and service must be performed by a qualified installer and servicing agency. ©2015 Lennox Industries Inc.





**SUBMITTAL DATA - INDOOR UNIT**  
**VESD012N432U**  
**VRF SLIM FAN COIL TYPE EVAPORATOR**

**Job Name:** \_\_\_\_\_  
**Location:** \_\_\_\_\_  
**Schedule No.:** \_\_\_\_\_  
**System Designation:** \_\_\_\_\_

**Engineer:** \_\_\_\_\_  
**Architect:** \_\_\_\_\_  
**Date:** \_\_\_\_\_  
**For:** \_\_\_ Reference \_\_\_ Approval \_\_\_ Review \_\_\_ Construction

**FEATURES**

- Auto Addressing installation
- Auto Restart
- Ultra Quiet Blower Motor
- Integrated Condensate Pump
- Built-in Electronic Expansion Valve
- LED Display Optional
- Washable Filter
- Water Overflow Protection
- Anti-Freezing Protection

**PRODUCT WARRANTY**

All covered components - one year limited warranty

**SPECIFICATIONS**

**PERFORMANCE**

Cooling Capacity* (Btu/h)		12,283
Heating Capacity* (Btu/h)		13,648
Airflow (CFM)	High	324
	Medium	265
	Low	200
External Static Pressure	Pa	0 - 15
	in. WC	0 - 0.06
Sound Pressure Level (dBA)	H / M / L	31/29/25

**ELECTRICAL DATA**

Power Supply (V / Hz / Ph)	220-240/50/1 - 208-230/60/1
MOP (A)	6
Rated Current (A)	Cooling 0.3
	Heating 0.3

**DIMENSIONS**

Unit Dimensions (in)	Height	7 3/4
	Width	28
	Depth	17 3/4
Liquid Pipe Connection (in)		1/4
Gas Pipe Connection (in)		1/2
Shipping Weight (lb)		50.7
Net Weight (lb)		43



1. Drain Pipe
2. Electronics Compartment
3. Hanging Brackets
4. Supply Air Outlet
5. Return Air Inlet

**NOTES:**

\*Cooling and Heating Capacity data is rated at the following conditions:

Cooling: 80 °F DB / 67 °F WB Indoor, 95 °F DB Outdoor

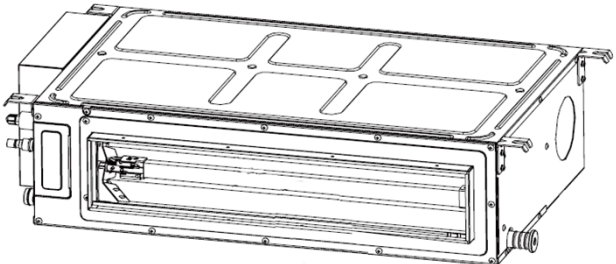
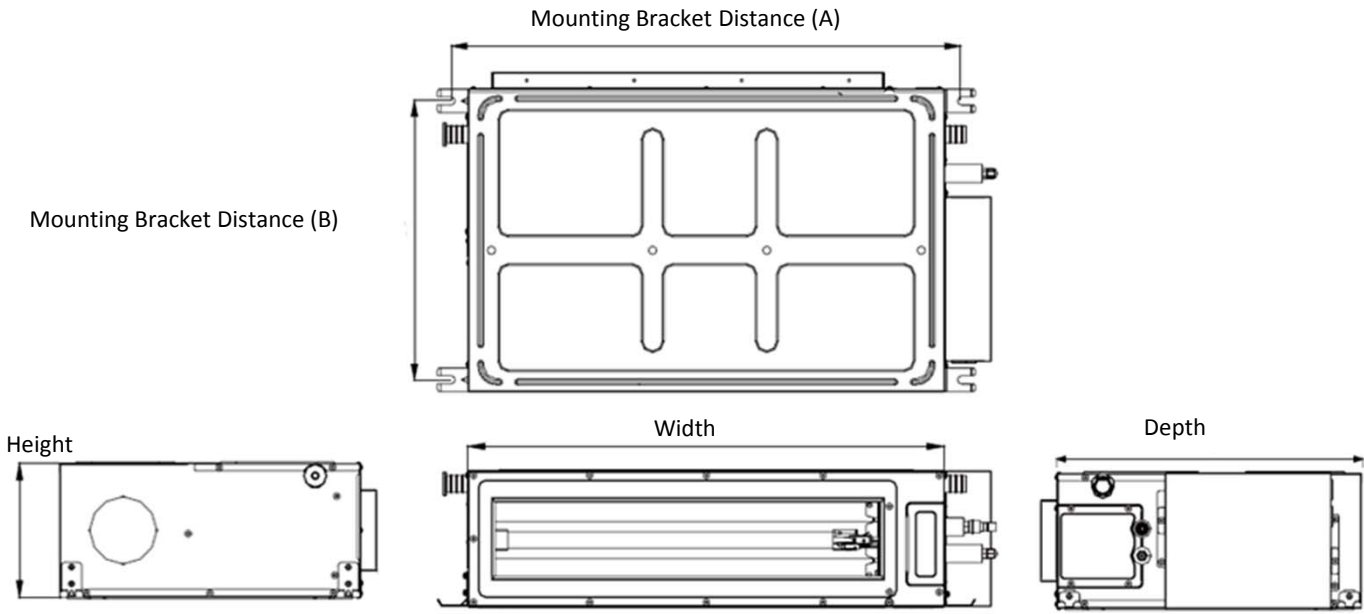
Heating: 70 °F DB Indoor, 47 °F DB

NOTE – Due to Lennox' ongoing commitment to quality, Specifications, Ratings and Dimensions subject to change without notice and without incurring liability. Improper installation, adjustment, alteration, service or maintenance can cause property damage or personal injury. Installation and service must be performed by a qualified installer and servicing agency. ©2015 Lennox Industries Inc.



**SUBMITTAL DATA - INDOOR UNIT**  
**VESD012N432U**  
**VRF SLIM FAN COIL TYPE EVAPORATOR**

**DIMENSIONAL DRAWINGS**



	mm	in
<b>H</b>	200	7.87
<b>W</b>	710	27.95
<b>D</b>	450	17.72
<b>A</b>	760	29.92
<b>B</b>	415	16.34

NOTE – Due to Lennox' ongoing commitment to quality, Specifications, Ratings and Dimensions subject to change without notice and without incurring liability. Improper installation, adjustment, alteration, service or maintenance can cause property damage or personal injury. Installation and service must be performed by a qualified installer and servicing agency. ©2015 Lennox Industries Inc.



**SUBMITTAL DATA - INDOOR UNIT**  
**VESD013N432U**  
**VRF SLIM FAN COIL TYPE EVAPORATOR**

**Job Name:** \_\_\_\_\_  
**Location:** \_\_\_\_\_  
**Schedule No.:** \_\_\_\_\_  
**System Designation:** \_\_\_\_\_

**Engineer:** \_\_\_\_\_  
**Architect:** \_\_\_\_\_  
**Date:** \_\_\_\_\_  
**For:** \_\_\_ Reference \_\_\_ Approval \_\_\_ Review \_\_\_ Construction

**FEATURES**

- Auto Addressing installation
- Auto Restart
- Ultra Quiet Blower Motor
- Integrated Condensate Pump
- Built-in Electronic Expansion Valve
- LED Display Optional
- Washable Filter
- Water Overflow Protection
- Anti-Freezing Protection

**PRODUCT WARRANTY**

All covered components - one year limited warranty

**SPECIFICATIONS**

**PERFORMANCE**

Cooling Capacity* (Btu/h)		13,648
Heating Capacity* (Btu/h)		15,354
Airflow (CFM)	High	441
	Medium	388
	Low	318
External Static Pressure	Pa	0 - 15
	in. WC	0 - 0.06
Sound Pressure Level (dBA)	H / M / L	33/30/27

**ELECTRICAL DATA**

Power Supply (V / Hz / Ph)	220-240/50/1 - 208-230/60/1
MOP (A)	6
Rated Current (A)	Cooling 0.3
	Heating 0.3

**DIMENSIONS**

Unit Dimensions (in)	Height	7 3/4
	Width	39 3/4
	Depth	17 3/4
Liquid Pipe Connection (in)		1/4
Gas Pipe Connection (in)		1/2
Shipping Weight (lb)		61.75
Net Weight (lb)		51.82



1. Drain Pipe
2. Electronics Compartment
3. Hanging Brackets
4. Supply Air Outlet
5. Return Air Inlet

**NOTES:**

\*Cooling and Heating Capacity data is rated at the following conditions:

Cooling: 80 °F DB / 67 °F WB Indoor, 95 °F DB Outdoor

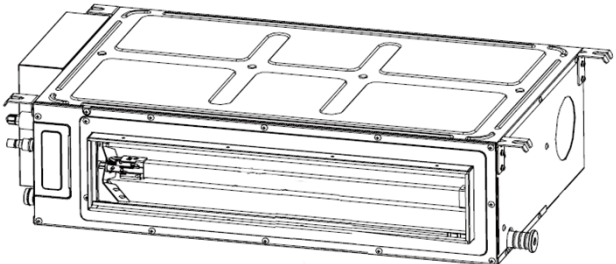
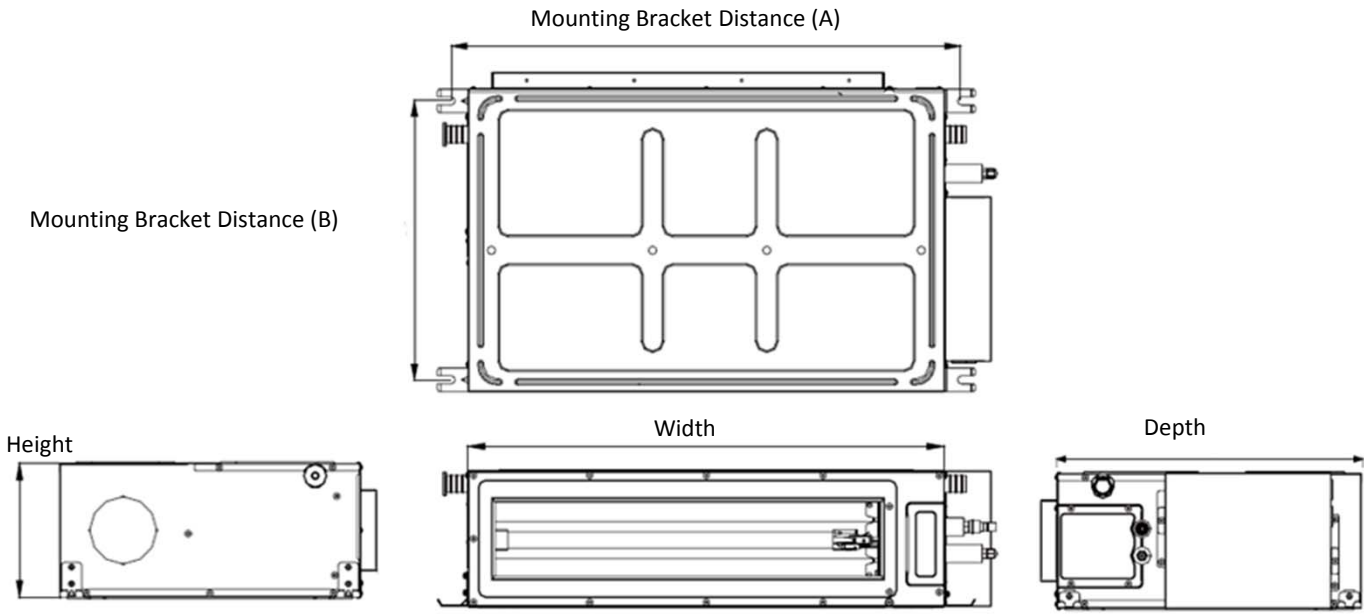
Heating: 70 °F DB Indoor, 47 °F DB

NOTE – Due to Lennox' ongoing commitment to quality, Specifications, Ratings and Dimensions subject to change without notice and without incurring liability. Improper installation, adjustment, alteration, service or maintenance can cause property damage or personal injury. Installation and service must be performed by a qualified installer and servicing agency. ©2015 Lennox Industries Inc.



**SUBMITTAL DATA - INDOOR UNIT**  
**VESD013N432U**  
**VRF SLIM FAN COIL TYPE EVAPORATOR**

**DIMENSIONAL DRAWINGS**



	mm	in
<b>H</b>	200	7.87
<b>W</b>	1000	39.37
<b>D</b>	450	17.72
<b>A</b>	1060	41.73
<b>B</b>	415	16.34

NOTE – Due to Lennox' ongoing commitment to quality, Specifications, Ratings and Dimensions subject to change without notice and without incurring liability. Improper installation, adjustment, alteration, service or maintenance can cause property damage or personal injury. Installation and service must be performed by a qualified installer and servicing agency. ©2015 Lennox Industries Inc.



**SUBMITTAL DATA - INDOOR UNIT**  
**VESD015N432U**  
**VRF SLIM FAN COIL TYPE EVAPORATOR**

**Job Name:** \_\_\_\_\_  
**Location:** \_\_\_\_\_  
**Schedule No.:** \_\_\_\_\_  
**System Designation:** \_\_\_\_\_

**Engineer:** \_\_\_\_\_  
**Architect:** \_\_\_\_\_  
**Date:** \_\_\_\_\_  
**For:** \_\_\_ Reference \_\_\_ Approval \_\_\_ Review \_\_\_ Construction

**FEATURES**

- Auto Addressing installation
- Auto Restart
- Ultra Quiet Blower Motor
- Integrated Condensate Pump
- Built-in Electronic Expansion Valve
- LED Display Optional
- Washable Filter
- Water Overflow Protection
- Anti-Freezing Protection

**PRODUCT WARRANTY**

All covered components - one year limited warranty

**SPECIFICATIONS**

**PERFORMANCE**

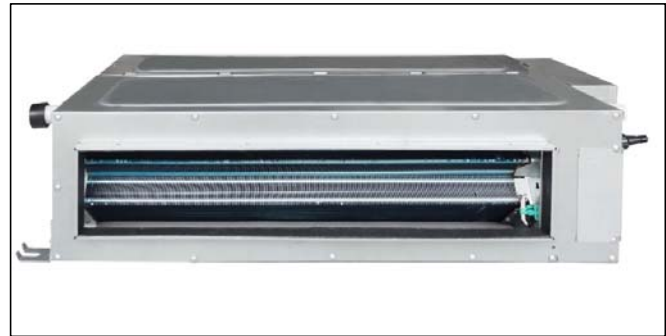
Cooling Capacity* (Btu/h)		15,354
Heating Capacity* (Btu/h)		17,060
Airflow (CFM)	High	441
	Medium	388
	Low	318
External Static Pressure	Pa	0 - 15
	in. WC	0 - 0.06
Sound Pressure Level (dBA)	H / M / L	33/30/27

**ELECTRICAL DATA**

Power Supply (V / Hz / Ph)	220-240/50/1 - 208-230/60/1
MOP (A)	6
Rated Current (A)	Cooling 0.3
	Heating 0.3

**DIMENSIONS**

Unit Dimensions (in)	Height	7 3/4
	Width	39 3/4
	Depth	17 3/4
Liquid Pipe Connection (in)		1/4
Gas Pipe Connection (in)		1/2
Shipping Weight (lb)		61.75
Net Weight (lb)		51.82



1. Drain Pipe
2. Electronics Compartment
3. Hanging Brackets
4. Supply Air Outlet
5. Return Air Inlet

**NOTES:**

\*Cooling and Heating Capacity data is rated at the following conditions:

Cooling: 80 °F DB / 67 °F WB Indoor, 95 °F DB Outdoor

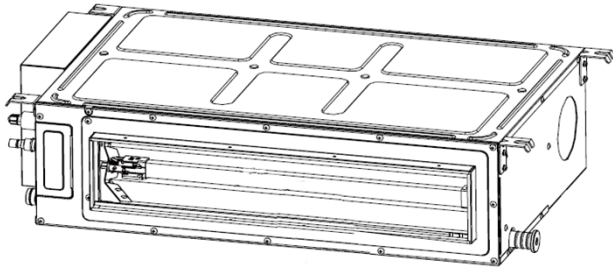
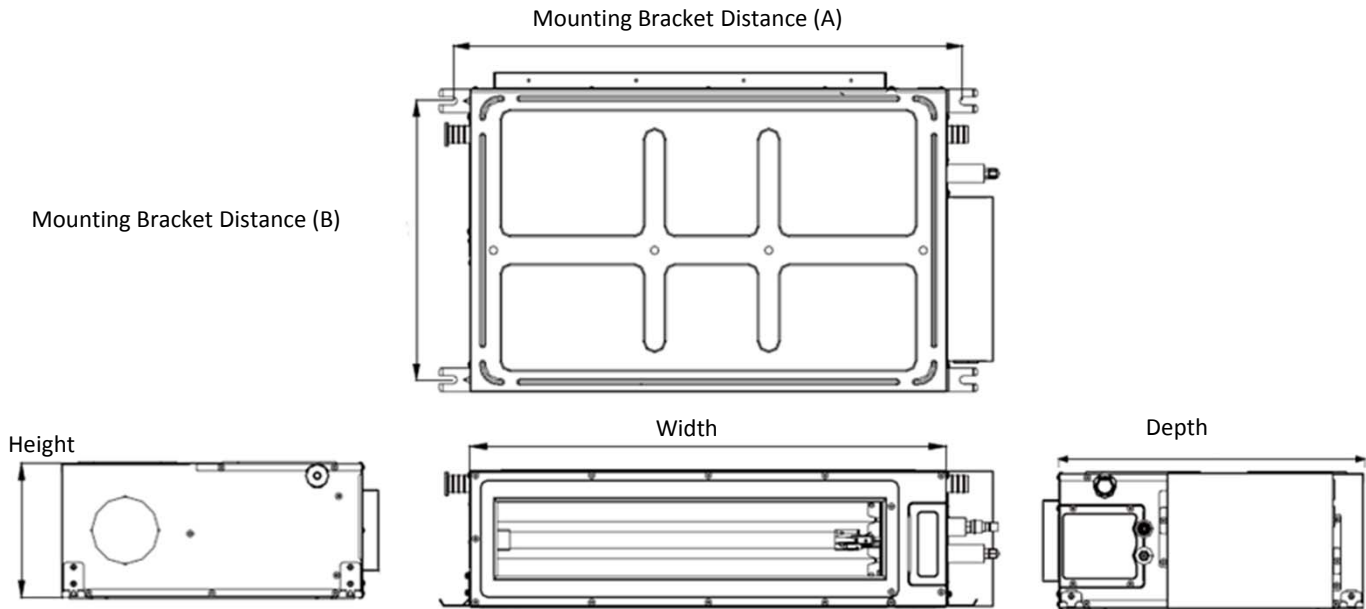
Heating: 70 °F DB Indoor, 47 °F DB

NOTE – Due to Lennox' ongoing commitment to quality, Specifications, Ratings and Dimensions subject to change without notice and without incurring liability. Improper installation, adjustment, alteration, service or maintenance can cause property damage or personal injury. Installation and service must be performed by a qualified installer and servicing agency. ©2015 Lennox Industries Inc.



**SUBMITTAL DATA - INDOOR UNIT**  
**VESD015N432U**  
**VRF SLIM FAN COIL TYPE EVAPORATOR**

**DIMENSIONAL DRAWINGS**



	mm	in
<b>H</b>	200	7.87
<b>W</b>	1000	39.37
<b>D</b>	450	17.72
<b>A</b>	1060	41.73
<b>B</b>	415	16.34

NOTE – Due to Lennox' ongoing commitment to quality, Specifications, Ratings and Dimensions subject to change without notice and without incurring liability. Improper installation, adjustment, alteration, service or maintenance can cause property damage or personal injury. Installation and service must be performed by a qualified installer and servicing agency. ©2015 Lennox Industries Inc.



**SUBMITTAL DATA - INDOOR UNIT**  
**VESD017N432U**  
**VRF SLIM FAN COIL TYPE EVAPORATOR**

**Job Name:** \_\_\_\_\_  
**Location:** \_\_\_\_\_  
**Schedule No.:** \_\_\_\_\_  
**System Designation:** \_\_\_\_\_

**Engineer:** \_\_\_\_\_  
**Architect:** \_\_\_\_\_  
**Date:** \_\_\_\_\_  
**For:** \_\_\_ Reference \_\_\_ Approval \_\_\_ Review \_\_\_ Construction

**FEATURES**

- Auto Addressing installation
- Auto Restart
- Ultra Quiet Blower Motor
- Integrated Condensate Pump
- Built-in Electronic Expansion Valve
- LED Display Optional
- Washable Filter
- Water Overflow Protection
- Anti-Freezing Protection

**PRODUCT WARRANTY**

All covered components - one year limited warranty

**SPECIFICATIONS**

**PERFORMANCE**

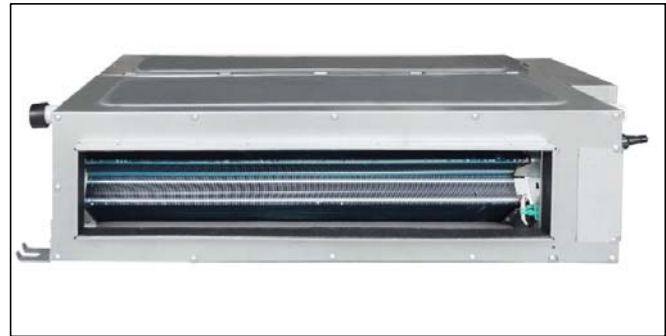
Cooling Capacity* (Btu/h)		17,060
Heating Capacity* (Btu/h)		19,107
Airflow (CFM)	High	441
	Medium	388
	Low	318
External Static Pressure	Pa	0 - 15
	in. WC	0 - 0.06
Sound Pressure Level (dBA)	H / M / L	33/30/27

**ELECTRICAL DATA**

Power Supply (V / Hz / Ph)	220-240/50/1 - 208-230/60/1
MOP (A)	6
Rated Current (A)	Cooling 0.3
	Heating 0.3

**DIMENSIONS**

Unit Dimensions (in)	Height	7 3/4
	Width	39 3/4
	Depth	17 3/4
Liquid Pipe Connection (in)		1/4
Gas Pipe Connection (in)		1/2
Shipping Weight (lb)		61.75
Net Weight (lb)		51.82



1. Drain Pipe
2. Electronics Compartment
3. Hanging Brackets
4. Supply Air Outlet
5. Return Air Inlet

**NOTES:**

\*Cooling and Heating Capacity data is rated at the following conditions:

Cooling: 80 °F DB / 67 °F WB Indoor, 95 °F DB Outdoor

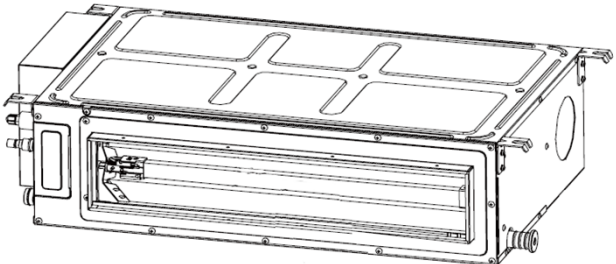
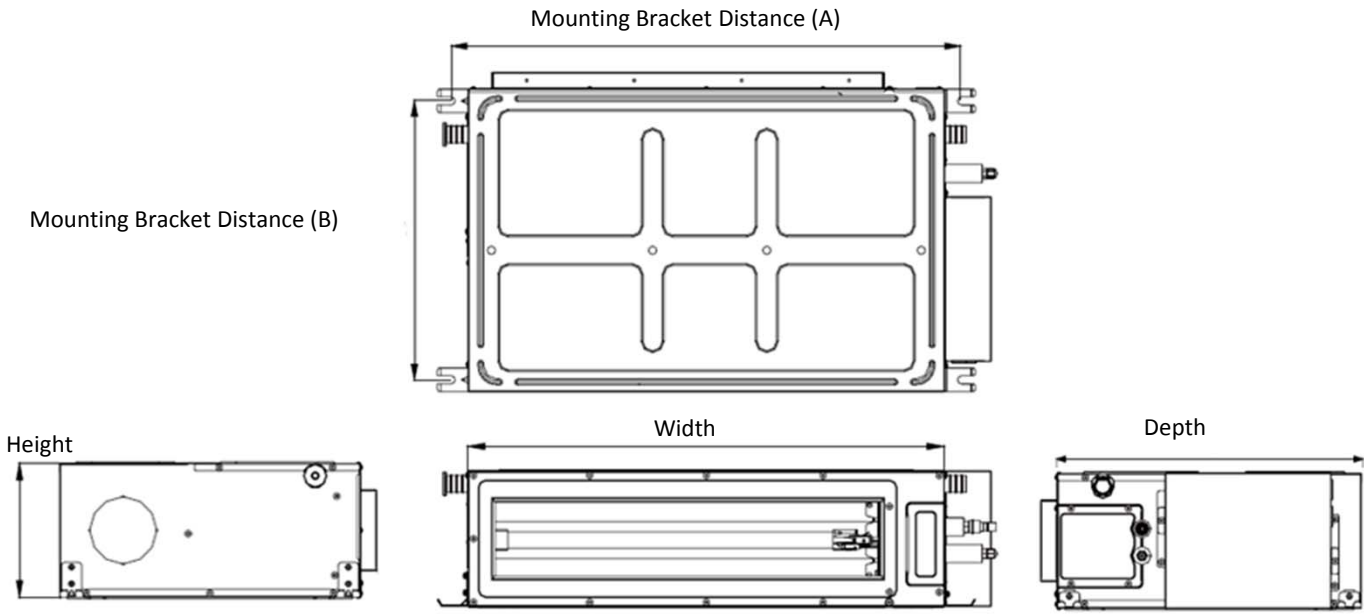
Heating: 70 °F DB Indoor, 47 °F DB

NOTE – Due to Lennox' ongoing commitment to quality, Specifications, Ratings and Dimensions subject to change without notice and without incurring liability. Improper installation, adjustment, alteration, service or maintenance can cause property damage or personal injury. Installation and service must be performed by a qualified installer and servicing agency. ©2015 Lennox Industries Inc.



**SUBMITTAL DATA - INDOOR UNIT**  
**VESD017N432U**  
**VRF SLIM FAN COIL TYPE EVAPORATOR**

**DIMENSIONAL DRAWINGS**



	mm	in
<b>H</b>	200	7.87
<b>W</b>	1000	39.37
<b>D</b>	450	17.72
<b>A</b>	1060	41.73
<b>B</b>	415	16.34

NOTE – Due to Lennox' ongoing commitment to quality, Specifications, Ratings and Dimensions subject to change without notice and without incurring liability. Improper installation, adjustment, alteration, service or maintenance can cause property damage or personal injury. Installation and service must be performed by a qualified installer and servicing agency. ©2015 Lennox Industries Inc.





**SUBMITTAL DATA - INDOOR UNIT**  
**VESD019N432U**  
**VRF SLIM FAN COIL TYPE EVAPORATOR**

**Job Name:** \_\_\_\_\_  
**Location:** \_\_\_\_\_  
**Schedule No.:** \_\_\_\_\_  
**System Designation:** \_\_\_\_\_

**Engineer:** \_\_\_\_\_  
**Architect:** \_\_\_\_\_  
**Date:** \_\_\_\_\_  
**For:** \_\_\_ Reference \_\_\_ Approval \_\_\_ Review \_\_\_ Construction

**FEATURES**

- Auto Addressing installation
- Auto Restart
- Ultra Quiet Blower Motor
- Integrated Condensate Pump
- Built-in Electronic Expansion Valve
- LED Display Optional
- Washable Filter
- Water Overflow Protection
- Anti-Freezing Protection

**PRODUCT WARRANTY**

All covered components - one year limited warranty

**SPECIFICATIONS**

**PERFORMANCE**

Cooling Capacity* (Btu/h)		19,107
Heating Capacity* (Btu/h)		21,496
Airflow (CFM)	High	500
	Medium	412
	Low	359
External Static Pressure	Pa	0 - 15
	in. WC	0 - 0.06
Sound Pressure Level (dBA)	H / M / L	35/33/29

**ELECTRICAL DATA**

Power Supply (V / Hz / Ph)	220-240/50/1 - 208-230/60/1
MOP (A)	6
Rated Current (A)	Cooling 0.3
	Heating 0.3

**DIMENSIONS**

Unit Dimensions (in)	Height	7 3/4
	Width	39 3/4
	Depth	17 3/4
Liquid Pipe Connection (in)		3/8
Gas Pipe Connection (in)		5/8
Shipping Weight (lb)		64
Net Weight (lb)		54



1. Drain Pipe
2. Electronics Compartment
3. Hanging Brackets
4. Supply Air Outlet
5. Return Air Inlet

**NOTES:**

\*Cooling and Heating Capacity data is rated at the following conditions:

Cooling: 80 °F DB / 67 °F WB Indoor, 95 °F DB Outdoor

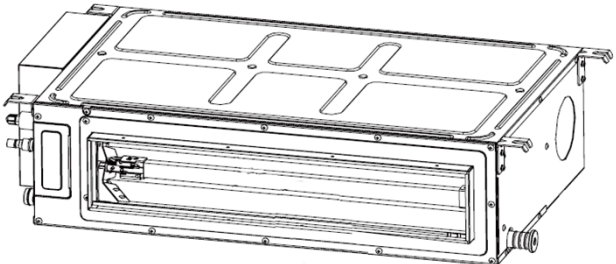
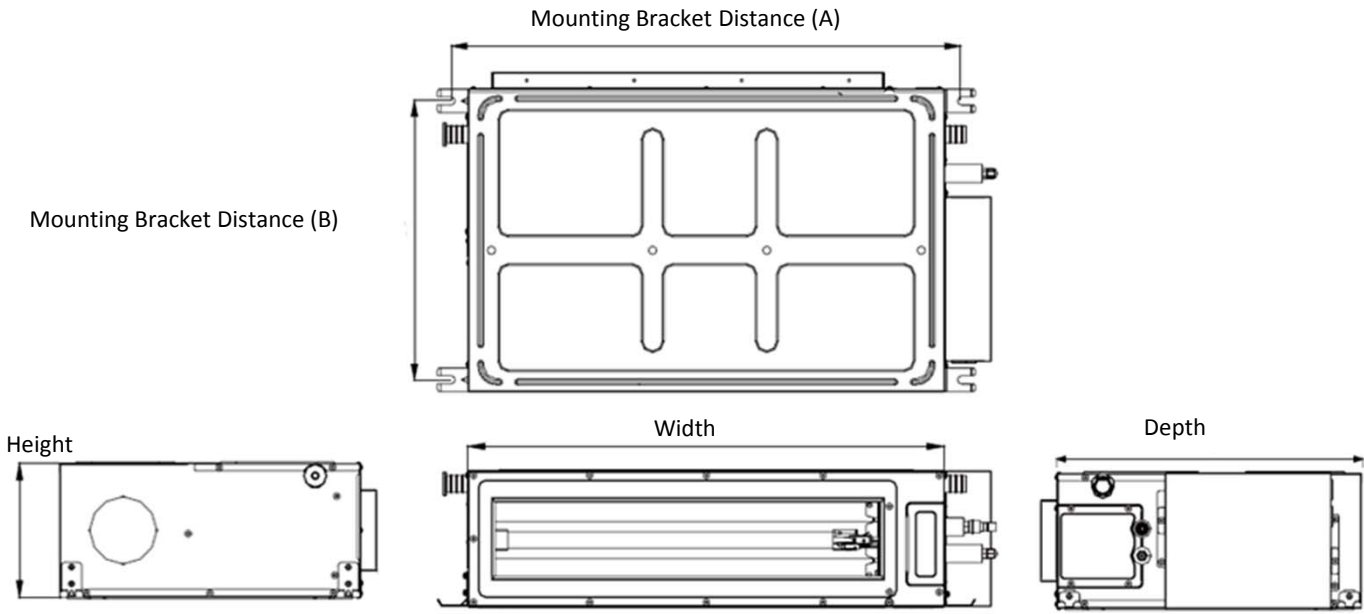
Heating: 70 °F DB Indoor, 47 °F DB

NOTE – Due to Lennox' ongoing commitment to quality, Specifications, Ratings and Dimensions subject to change without notice and without incurring liability. Improper installation, adjustment, alteration, service or maintenance can cause property damage or personal injury. Installation and service must be performed by a qualified installer and servicing agency. ©2015 Lennox Industries Inc.



**SUBMITTAL DATA - INDOOR UNIT**  
**VESD019N432U**  
**VRF SLIM FAN COIL TYPE EVAPORATOR**

**DIMENSIONAL DRAWINGS**



	mm	in
<b>H</b>	200	7.87
<b>W</b>	1000	39.37
<b>D</b>	450	17.72
<b>A</b>	1060	41.73
<b>B</b>	415	16.34

NOTE – Due to Lennox' ongoing commitment to quality, Specifications, Ratings and Dimensions subject to change without notice and without incurring liability. Improper installation, adjustment, alteration, service or maintenance can cause property damage or personal injury. Installation and service must be performed by a qualified installer and servicing agency. ©2015 Lennox Industries Inc.



**SUBMITTAL DATA - INDOOR UNIT**  
**VESD021N432U**  
**VRF SLIM FAN COIL TYPE EVAPORATOR**

**Job Name:** \_\_\_\_\_  
**Location:** \_\_\_\_\_  
**Schedule No.:** \_\_\_\_\_  
**System Designation:** \_\_\_\_\_

**Engineer:** \_\_\_\_\_  
**Architect:** \_\_\_\_\_  
**Date:** \_\_\_\_\_  
**For:** \_\_\_ Reference \_\_\_ Approval \_\_\_ Review \_\_\_ Construction

**FEATURES**

- Auto Addressing installation
- Auto Restart
- Ultra Quiet Blower Motor
- Integrated Condensate Pump
- Built-in Electronic Expansion Valve
- LED Display Optional
- Washable Filter
- Water Overflow Protection
- Anti-Freezing Protection

**PRODUCT WARRANTY**

All covered components - one year limited warranty

**SPECIFICATIONS**

**PERFORMANCE**

Cooling Capacity* (Btu/h)		21,496
Heating Capacity* (Btu/h)		23,884
Airflow (CFM)	High	500
	Medium	412
	Low	359
External Static Pressure	Pa	0 - 15
	in. WC	0 - 0.06
Sound Pressure Level (dBA)	H / M / L	35/33/29

**ELECTRICAL DATA**

Power Supply (V / Hz / Ph)	220-240/50/1 - 208-230/60/1
MOP (A)	6
Rated Current (A)	Cooling 0.3
	Heating 0.3

**DIMENSIONS**

Unit Dimensions (in)	Height	7 3/4
	Width	39 3/4
	Depth	17 3/4
Liquid Pipe Connection (in)		3/8
Gas Pipe Connection (in)		5/8
Shipping Weight (lb)		64
Net Weight (lb)		54



1. Drain Pipe
2. Electronics Compartment
3. Hanging Brackets
4. Supply Air Outlet
5. Return Air Inlet

**NOTES:**

\*Cooling and Heating Capacity data is rated at the following conditions:

Cooling: 80 °F DB / 67 °F WB Indoor, 95 °F DB Outdoor

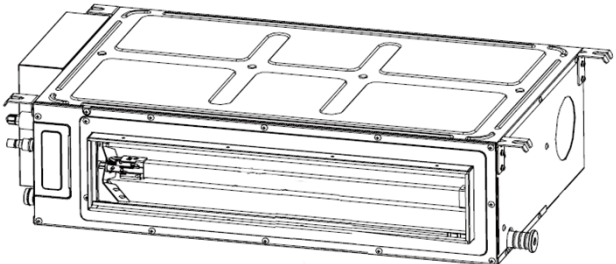
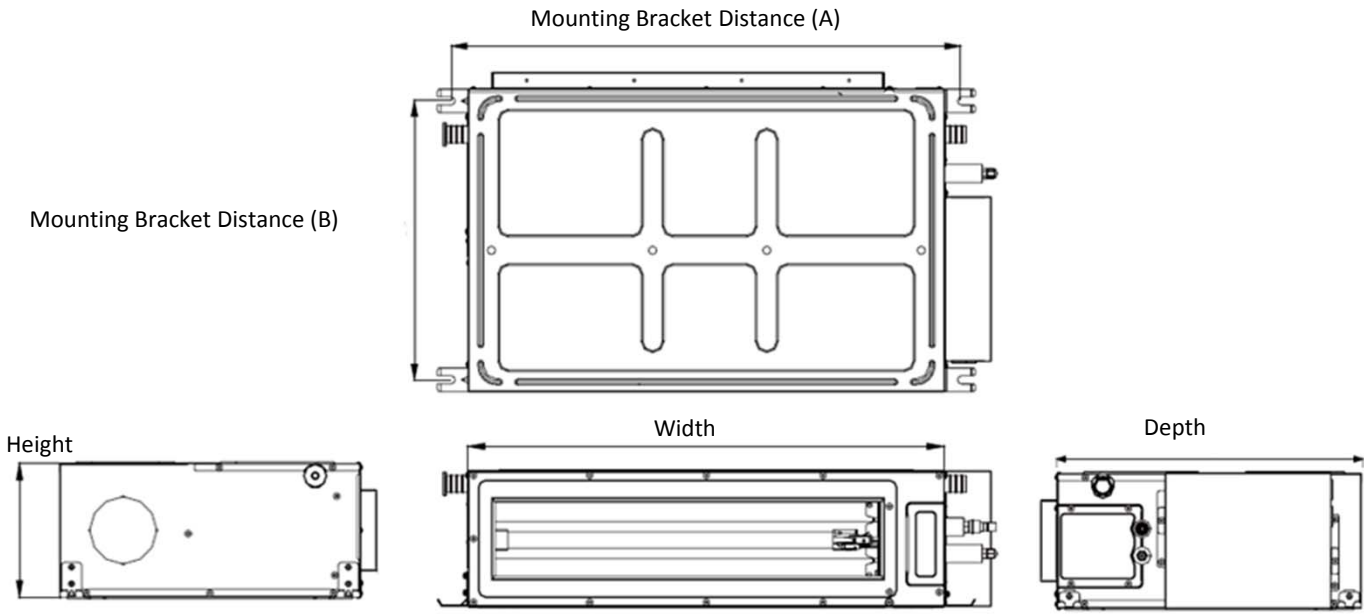
Heating: 70 °F DB Indoor, 47 °F DB

NOTE – Due to Lennox' ongoing commitment to quality, Specifications, Ratings and Dimensions subject to change without notice and without incurring liability. Improper installation, adjustment, alteration, service or maintenance can cause property damage or personal injury. Installation and service must be performed by a qualified installer and servicing agency. ©2015 Lennox Industries Inc.



**SUBMITTAL DATA - INDOOR UNIT**  
**VESD021N432U**  
**VRF SLIM FAN COIL TYPE EVAPORATOR**

**DIMENSIONAL DRAWINGS**



	mm	in
<b>H</b>	200	7.87
<b>W</b>	1000	39.37
<b>D</b>	450	17.72
<b>A</b>	1060	41.73
<b>B</b>	415	16.34

NOTE – Due to Lennox' ongoing commitment to quality, Specifications, Ratings and Dimensions subject to change without notice and without incurring liability. Improper installation, adjustment, alteration, service or maintenance can cause property damage or personal injury. Installation and service must be performed by a qualified installer and servicing agency. ©2015 Lennox Industries Inc.



**SUBMITTAL DATA - INDOOR UNIT**  
**VESD024N432U**  
**VRF SLIM FAN COIL TYPE EVAPORATOR**

**Job Name:** \_\_\_\_\_  
**Location:** \_\_\_\_\_  
**Schedule No.:** \_\_\_\_\_  
**System Designation:** \_\_\_\_\_

**Engineer:** \_\_\_\_\_  
**Architect:** \_\_\_\_\_  
**Date:** \_\_\_\_\_  
**For:** \_\_\_ Reference \_\_\_ Approval \_\_\_ Review \_\_\_ Construction

**FEATURES**

- Auto Addressing installation
- Auto Restart
- Ultra Quiet Blower Motor
- Integrated Condensate Pump
- Built-in Electronic Expansion Valve
- LED Display Optional
- Washable Filter
- Water Overflow Protection
- Anti-Freezing Protection

**PRODUCT WARRANTY**

All covered components - one year limited warranty

**SPECIFICATIONS**

**PERFORMANCE**

Cooling Capacity* (Btu/h)		24,566
Heating Capacity* (Btu/h)		27,296
Airflow (CFM)	High	647
	Medium	471
	Low	377
External Static Pressure	Pa	0 - 15
	in. WC	0 - 0.06
Sound Pressure Level (dBA)	H / M / L	37/34/30

**ELECTRICAL DATA**

Power Supply (V / Hz / Ph)	220-240/50/1 - 208-230/60/1
MOP (A)	6
Rated Current (A)	Cooling 0.5
	Heating 0.5

**DIMENSIONS**

Unit Dimensions (in)	Height	7 3/4
	Width	51 1/2
	Depth	17 3/4
Liquid Pipe Connection (in)		3/8
Gas Pipe Connection (in)		5/8
Shipping Weight (lb)		79.38
Net Weight (lb)		67.25



1. Drain Pipe
2. Electronics Compartment
3. Hanging Brackets
4. Supply Air Outlet
5. Return Air Inlet

**NOTES:**

\*Cooling and Heating Capacity data is rated at the following conditions:

Cooling: 80 °F DB / 67 °F WB Indoor, 95 °F DB Outdoor

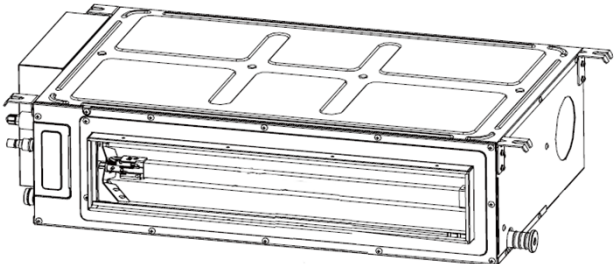
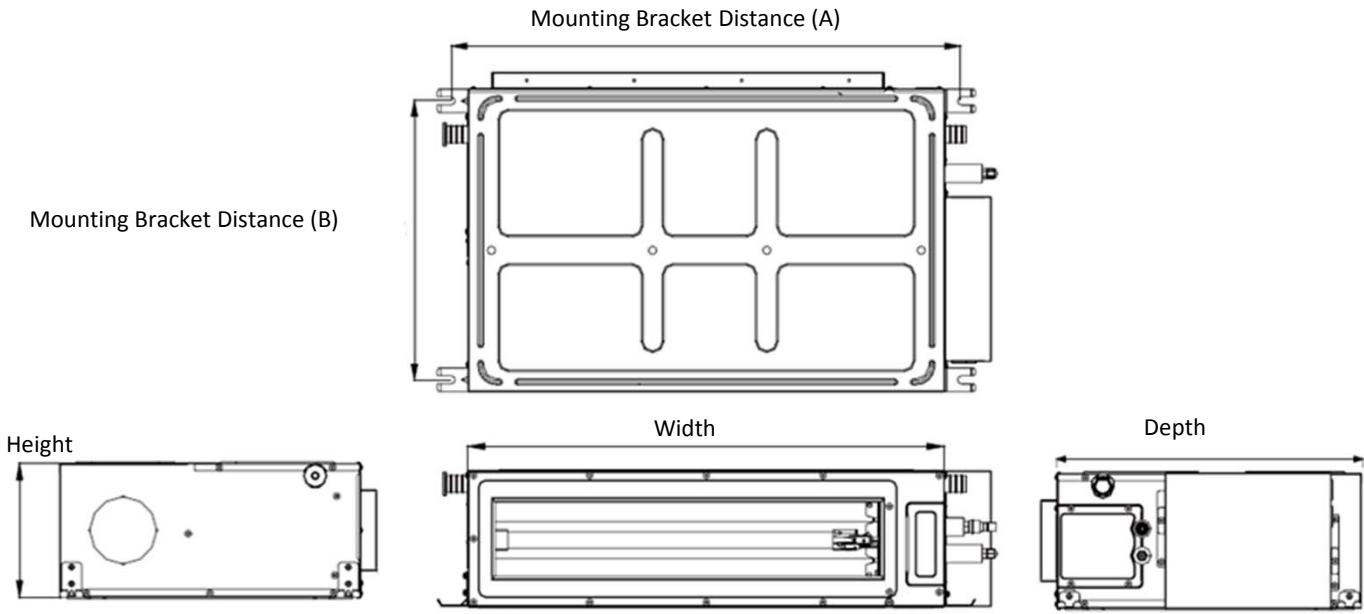
Heating: 70 °F DB Indoor, 47 °F DB

NOTE – Due to Lennox' ongoing commitment to quality, Specifications, Ratings and Dimensions subject to change without notice and without incurring liability. Improper installation, adjustment, alteration, service or maintenance can cause property damage or personal injury. Installation and service must be performed by a qualified installer and servicing agency. ©2015 Lennox Industries Inc.



**SUBMITTAL DATA - INDOOR UNIT**  
**VESD024N432U**  
**VRF SLIM FAN COIL TYPE EVAPORATOR**

**DIMENSIONAL DRAWINGS**



	mm	in
<b>H</b>	200	7.87
<b>W</b>	1300	51.18
<b>D</b>	450	17.72
<b>A</b>	1360	53.54
<b>B</b>	415	16.34

NOTE – Due to Lennox' ongoing commitment to quality, Specifications, Ratings and Dimensions subject to change without notice and without incurring liability. Improper installation, adjustment, alteration, service or maintenance can cause property damage or personal injury. Installation and service must be performed by a qualified installer and servicing agency. ©2015 Lennox Industries Inc.