



**SUBMITTAL DATA - INDOOR UNIT**  
**VE4C009N432U**  
**VRF STD 4-WAY CASSETTE TYPE EVAPORATOR**

**Job Name:** \_\_\_\_\_  
**Location:** \_\_\_\_\_  
**Schedule No.:** \_\_\_\_\_  
**System Designation:** \_\_\_\_\_

**Engineer:** \_\_\_\_\_  
**Architect:** \_\_\_\_\_  
**Date:** \_\_\_\_\_  
**For:** \_\_\_ Reference \_\_\_ Approval \_\_\_ Review \_\_\_ Construction

**FEATURES**

- Auto Addressing installation
- Auto Restart
- Replaceable Front Panel
- Integrated Condensate Pump
- Built-in Electronic Expansion Valve
- LED Display
- Washable Filter
- Water Overflow Protection
- Anti-Freezing Protection

**PRODUCT WARRANTY**

All covered components - one year limited warranty

**SPECIFICATIONS**

**PERFORMANCE**

Cooling Capacity* (Btu/h)		9,554
Heating Capacity* (Btu/h)		10,918
Airflow (CFM)	High	440
	Medium	383
	Low	325

Sound Pressure Level (dBA)                      H / M / L    36/34/31

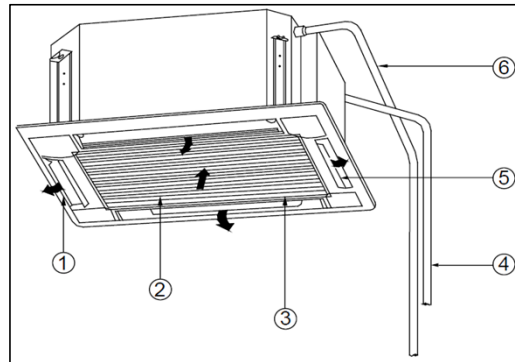
**ELECTRICAL DATA**

Power Supply (V / Hz / Ph)	220-240/50/1 - 208-230/60/1
MOP (A)	6
Rated Current (A)	Cooling    0.2
	Heating    0.2

**DIMENSIONS**

Unit Dimensions (in)	Height	7 1/2
	Width	33
	Depth	33

Liquid Pipe Connection (in)	1/4
Gas Pipe Connection (in)	3/8
Shipping Weight (lb)	65
Net Weight (lb)	49.6



1. Air Outlet
2. Air Filter
3. Grill
4. Refrigerant Piping
5. Louvers
6. Drain Pipe

**NOTES:**

\*Cooling and Heating Capacity data is rated at the following conditions:

Cooling: 80 °F DB / 67 °F WB Indoor, 95 °F DB Outdoor

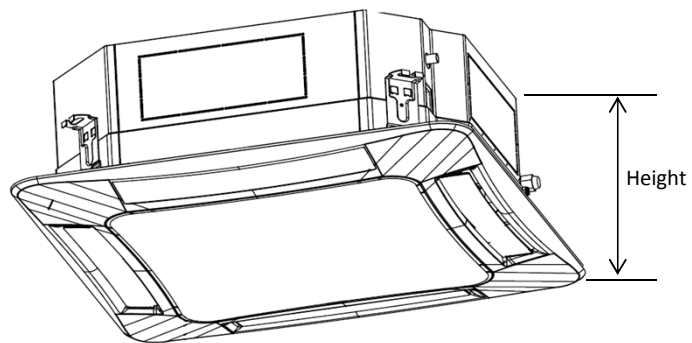
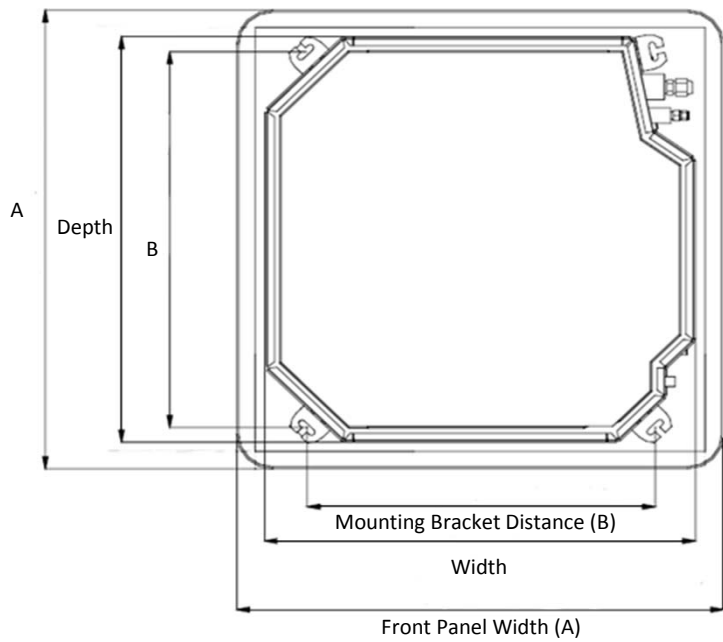
Heating: 70 °F DB Indoor, 47 °F DB

NOTE – Due to Lennox' ongoing commitment to quality, Specifications, Ratings and Dimensions subject to change without notice and without incurring liability. Improper installation, adjustment, alteration, service or maintenance can cause property damage or personal injury. Installation and service must be performed by a qualified installer and servicing agency. ©2015 Lennox Industries Inc.



**SUBMITTAL DATA - INDOOR UNIT**  
**VE4C009N432U**  
**VRF STD 4-WAY CASSETTE TYPE EVAPORATOR**

**DIMENSIONAL DRAWINGS**



	mm	in
<b>Width</b>	840	33.07
<b>Depth</b>	840	33.07
<b>Height</b>	190	7.48
<b>A</b>	950	37.40
<b>B</b>	680	26.77

NOTE – Due to Lennox' ongoing commitment to quality, Specifications, Ratings and Dimensions subject to change without notice and without incurring liability. Improper installation, adjustment, alteration, service or maintenance can cause property damage or personal injury. Installation and service must be performed by a qualified installer and servicing agency. ©2015 Lennox Industries Inc.



**SUBMITTAL DATA - INDOOR UNIT**  
**VE4C012N432U**  
**VRF STD 4-WAY CASSETTE TYPE EVAPORATOR**

**Job Name:** \_\_\_\_\_  
**Location:** \_\_\_\_\_  
**Schedule No.:** \_\_\_\_\_  
**System Designation:** \_\_\_\_\_

**Engineer:** \_\_\_\_\_  
**Architect:** \_\_\_\_\_  
**Date:** \_\_\_\_\_  
**For:** \_\_\_ Reference \_\_\_ Approval \_\_\_ Review \_\_\_ Construction

**FEATURES**

- Auto Addressing installation
- Auto Restart
- Replaceable Front Panel
- Integrated Condensate Pump
- Built-in Electronic Expansion Valve
- LED Display
- Washable Filter
- Water Overflow Protection
- Anti-Freezing Protection

**PRODUCT WARRANTY**

All covered components - one year limited warranty

**SPECIFICATIONS**

**PERFORMANCE**

Cooling Capacity* (Btu/h)		12,283
Heating Capacity* (Btu/h)		13,648
Airflow (CFM)	High	440
	Medium	383
	Low	325

Sound Pressure Level (dBA)                      H / M / L    36/34/31

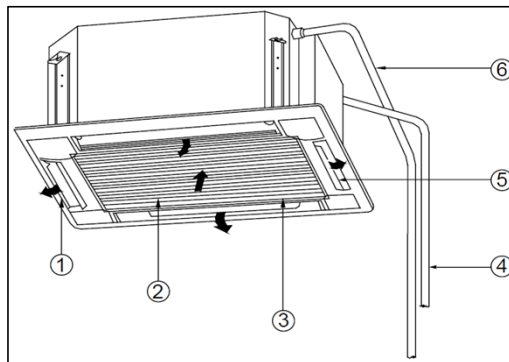
**ELECTRICAL DATA**

Power Supply (V / Hz / Ph)	220-240/50/1 - 208-230/60/1
MOP (A)	6
Rated Current (A)	Cooling    0.2
	Heating    0.2

**DIMENSIONS**

Unit Dimensions (in)	Height	7 1/2
	Width	33
	Depth	33

Liquid Pipe Connection (in)	1/4
Gas Pipe Connection (in)	1/2
Shipping Weight (lb)	65
Net Weight (lb)	49.6



1. Air Outlet
2. Air Filter
3. Grill
4. Refrigerant Piping
5. Louvers
6. Drain Pipe

**NOTES:**

\*Cooling and Heating Capacity data is rated at the following conditions:

Cooling: 80 °F DB / 67 °F WB Indoor, 95 °F DB Outdoor

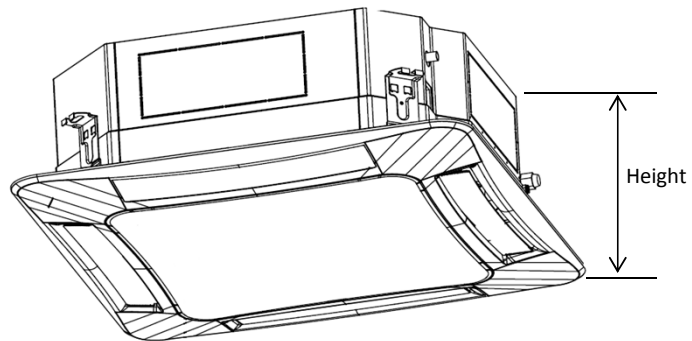
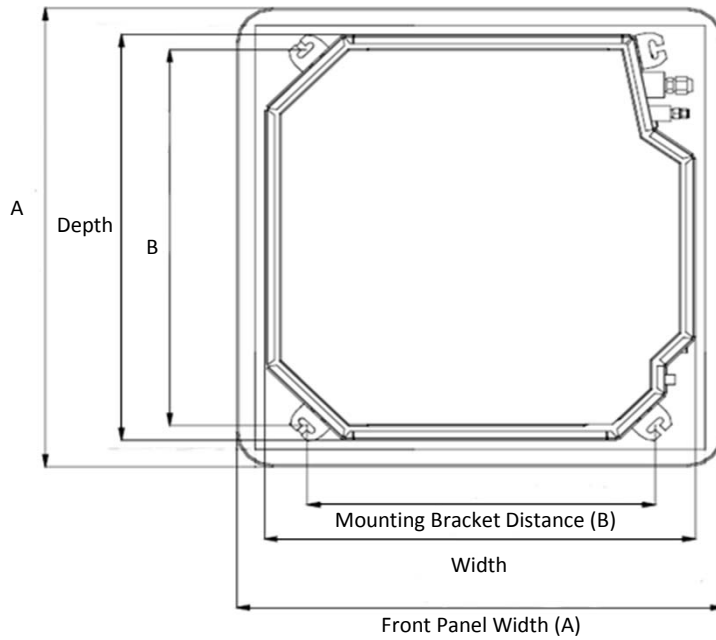
Heating: 70 °F DB Indoor, 47 °F DB

NOTE – Due to Lennox' ongoing commitment to quality, Specifications, Ratings and Dimensions subject to change without notice and without incurring liability. Improper installation, adjustment, alteration, service or maintenance can cause property damage or personal injury. Installation and service must be performed by a qualified installer and servicing agency. ©2015 Lennox Industries Inc.



**SUBMITTAL DATA - INDOOR UNIT**  
**VE4C012N432U**  
**VRF STD 4-WAY CASSETTE TYPE EVAPORATOR**

**DIMENSIONAL DRAWINGS**



	mm	in
<b>Width</b>	840	33.07
<b>Depth</b>	840	33.07
<b>Height</b>	190	7.48
<b>A</b>	950	37.40
<b>B</b>	680	26.77

NOTE – Due to Lennox’ ongoing commitment to quality, Specifications, Ratings and Dimensions subject to change without notice and without incurring liability. Improper installation, adjustment, alteration, service or maintenance can cause property damage or personal injury. Installation and service must be performed by a qualified installer and servicing agency. ©2015 Lennox Industries Inc.



**SUBMITTAL DATA - INDOOR UNIT**  
**VE4C015N432U**  
**VRF STD 4-WAY CASSETTE TYPE EVAPORATOR**

**Job Name:** \_\_\_\_\_  
**Location:** \_\_\_\_\_  
**Schedule No.:** \_\_\_\_\_  
**System Designation:** \_\_\_\_\_

**Engineer:** \_\_\_\_\_  
**Architect:** \_\_\_\_\_  
**Date:** \_\_\_\_\_  
**For:** \_\_\_ Reference \_\_\_ Approval \_\_\_ Review \_\_\_ Construction

**FEATURES**

- Auto Addressing installation
- Auto Restart
- Replaceable Front Panel
- Integrated Condensate Pump
- Built-in Electronic Expansion Valve
- LED Display
- Washable Filter
- Water Overflow Protection
- Anti-Freezing Protection

**PRODUCT WARRANTY**

All covered components - one year limited warranty

**SPECIFICATIONS**

**PERFORMANCE**

Cooling Capacity* (Btu/h)		15,354
Heating Capacity* (Btu/h)		17,060
Airflow (CFM)	High	440
	Medium	383
	Low	325

Sound Pressure Level (dBA)                      H / M / L    36/34/31

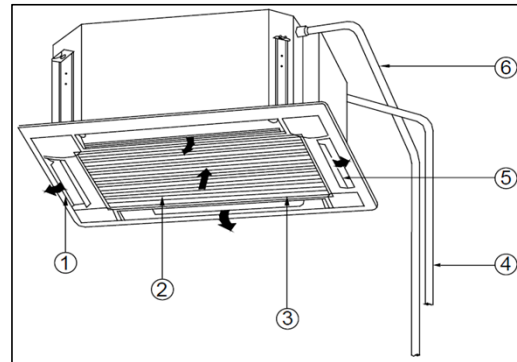
**ELECTRICAL DATA**

Power Supply (V / Hz / Ph)	220-240/50/1 - 208-230/60/1
MOP (A)	6
Rated Current (A)	Cooling    0.2
	Heating    0.2

**DIMENSIONS**

Unit Dimensions (in)	Height	7 1/2
	Width	33
	Depth	33

Liquid Pipe Connection (in)	1/4
Gas Pipe Connection (in)	1/2
Shipping Weight (lb)	65
Net Weight (lb)	49.6



1. Air Outlet
2. Air Filter
3. Grill
4. Refrigerant Piping
5. Louvers
6. Drain Pipe

**NOTES:**

\*Cooling and Heating Capacity data is rated at the following conditions:

Cooling: 80 °F DB / 67 °F WB Indoor, 95 °F DB Outdoor

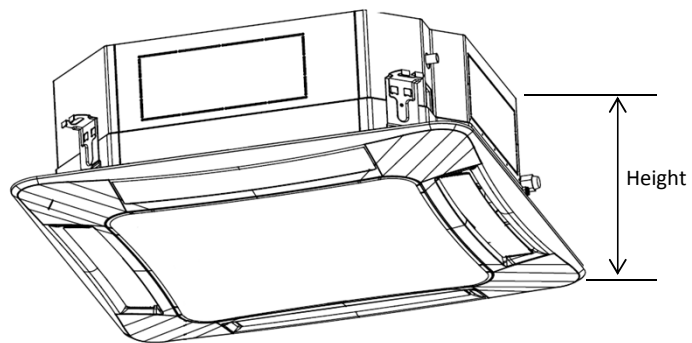
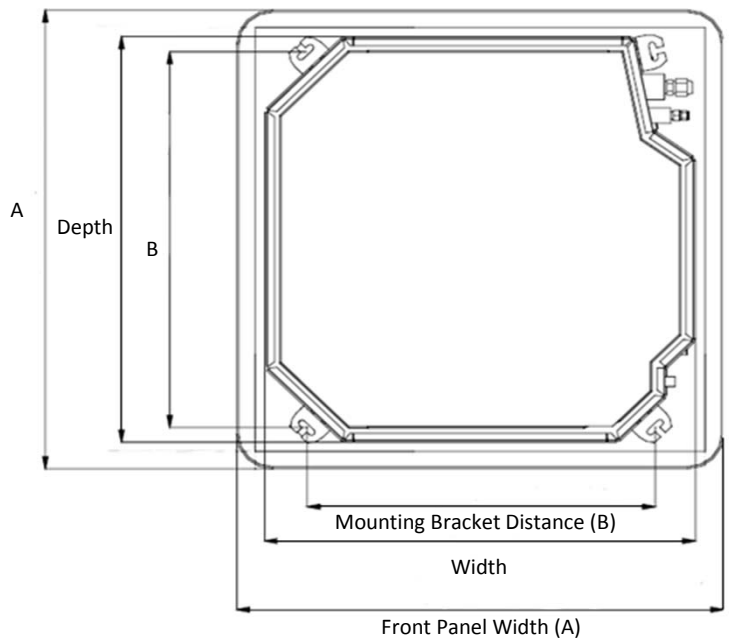
Heating: 70 °F DB Indoor, 47 °F DB

NOTE – Due to Lennox' ongoing commitment to quality, Specifications, Ratings and Dimensions subject to change without notice and without incurring liability. Improper installation, adjustment, alteration, service or maintenance can cause property damage or personal injury. Installation and service must be performed by a qualified installer and servicing agency. ©2015 Lennox Industries Inc.



**SUBMITTAL DATA - INDOOR UNIT**  
**VE4C015N432U**  
**VRF STD 4-WAY CASSETTE TYPE EVAPORATOR**

**DIMENSIONAL DRAWINGS**



	mm	in
<b>Width</b>	840	33.07
<b>Depth</b>	840	33.07
<b>Height</b>	190	7.48
<b>A</b>	950	37.40
<b>B</b>	680	26.77

NOTE – Due to Lennox' ongoing commitment to quality, Specifications, Ratings and Dimensions subject to change without notice and without incurring liability. Improper installation, adjustment, alteration, service or maintenance can cause property damage or personal injury. Installation and service must be performed by a qualified installer and servicing agency. ©2015 Lennox Industries Inc.



**SUBMITTAL DATA - INDOOR UNIT**  
**VE4C017N432U**  
**VRF STD 4-WAY CASSETTE TYPE EVAPORATOR**

**Job Name:** \_\_\_\_\_  
**Location:** \_\_\_\_\_  
**Schedule No.:** \_\_\_\_\_  
**System Designation:** \_\_\_\_\_

**Engineer:** \_\_\_\_\_  
**Architect:** \_\_\_\_\_  
**Date:** \_\_\_\_\_  
**For:** \_\_\_ Reference \_\_\_ Approval \_\_\_ Review \_\_\_ Construction

**FEATURES**

- Auto Addressing installation
- Auto Restart
- Replaceable Front Panel
- Integrated Condensate Pump
- Built-in Electronic Expansion Valve
- LED Display
- Washable Filter
- Water Overflow Protection
- Anti-Freezing Protection

**PRODUCT WARRANTY**

All covered components - one year limited warranty

**SPECIFICATIONS**

**PERFORMANCE**

Cooling Capacity* (Btu/h)		17,060
Heating Capacity* (Btu/h)		19,107
Airflow (CFM)	High	440
	Medium	383
	Low	325

Sound Pressure Level (dBA)                      H / M / L    36/34/31

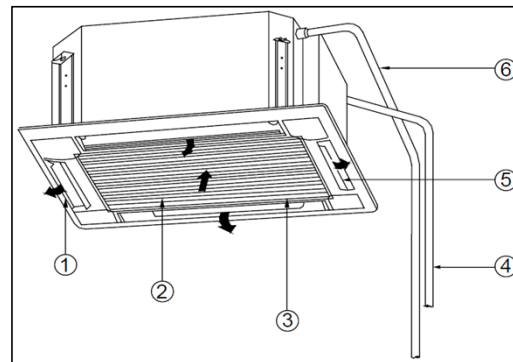
**ELECTRICAL DATA**

Power Supply (V / Hz / Ph)	220-240/50/1 - 208-230/60/1
MOP (A)	6
Rated Current (A)	Cooling    0.2
	Heating    0.2

**DIMENSIONS**

Unit Dimensions (in)	Height	7 1/2
	Width	33
	Depth	33

Liquid Pipe Connection (in)	1/4
Gas Pipe Connection (in)	1/2
Shipping Weight (lb)	65
Net Weight (lb)	49.6



1. Air Outlet
2. Air Filter
3. Grill
4. Refrigerant Piping
5. Louvers
6. Drain Pipe

**NOTES:**

\*Cooling and Heating Capacity data is rated at the following conditions:

Cooling: 80 °F DB / 67 °F WB Indoor, 95 °F DB Outdoor

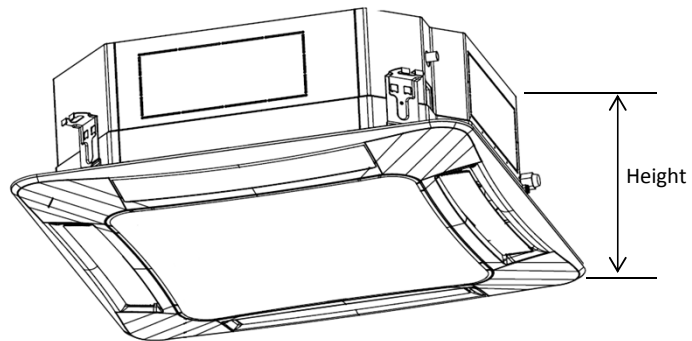
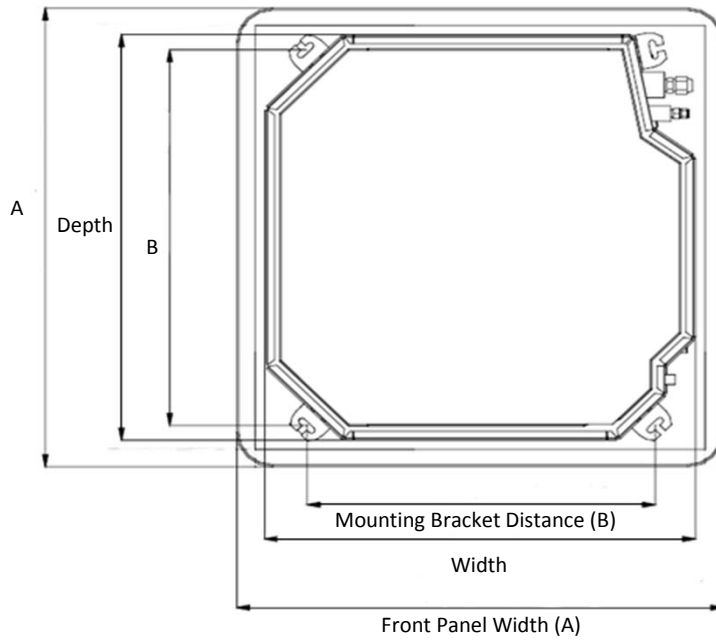
Heating: 70 °F DB Indoor, 47 °F DB

NOTE – Due to Lennox' ongoing commitment to quality, Specifications, Ratings and Dimensions subject to change without notice and without incurring liability. Improper installation, adjustment, alteration, service or maintenance can cause property damage or personal injury. Installation and service must be performed by a qualified installer and servicing agency. ©2015 Lennox Industries Inc.



**SUBMITTAL DATA - INDOOR UNIT**  
**VE4C017N432U**  
**VRF STD 4-WAY CASSETTE TYPE EVAPORATOR**

**DIMENSIONAL DRAWINGS**



	mm	in
<b>Width</b>	840	33.07
<b>Depth</b>	840	33.07
<b>Height</b>	190	7.48
<b>A</b>	950	37.40
<b>B</b>	680	26.77

NOTE – Due to Lennox' ongoing commitment to quality, Specifications, Ratings and Dimensions subject to change without notice and without incurring liability. Improper installation, adjustment, alteration, service or maintenance can cause property damage or personal injury. Installation and service must be performed by a qualified installer and servicing agency. ©2015 Lennox Industries Inc.





**SUBMITTAL DATA - INDOOR UNIT**  
**VE4C019N432U**  
**VRF STD 4-WAY CASSETTE TYPE EVAPORATOR**

**Job Name:** \_\_\_\_\_  
**Location:** \_\_\_\_\_  
**Schedule No.:** \_\_\_\_\_  
**System Designation:** \_\_\_\_\_

**Engineer:** \_\_\_\_\_  
**Architect:** \_\_\_\_\_  
**Date:** \_\_\_\_\_  
**For:** \_\_\_ Reference \_\_\_ Approval \_\_\_ Review \_\_\_ Construction

**FEATURES**

- Auto Addressing installation
- Auto Restart
- Replaceable Front Panel
- Integrated Condensate Pump
- Built-in Electronic Expansion Valve
- LED Display
- Washable Filter
- Water Overflow Protection
- Anti-Freezing Protection

**PRODUCT WARRANTY**

All covered components - one year limited warranty

**SPECIFICATIONS**

**PERFORMANCE**

Cooling Capacity* (Btu/h)		19,107
Heating Capacity* (Btu/h)		21,496
Airflow (CFM)	High	590
	Medium	530
	Low	440

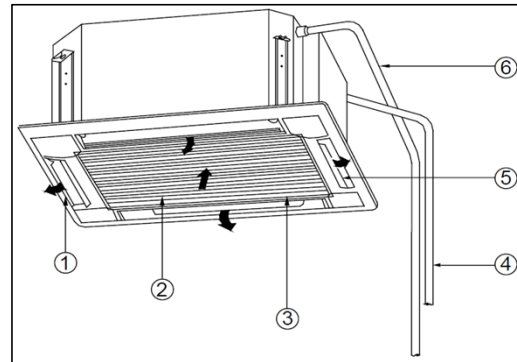
Sound Pressure Level (dBA)                      H / M / L    37/35/32

**ELECTRICAL DATA**

Power Supply (V / Hz / Ph)	220-240/50/1 - 208-230/60/1
MOP (A)	6
Rated Current (A)	Cooling    0.3
	Heating    0.3

**DIMENSIONS**

Unit Dimensions (in)	Height	9 1/2
	Width	33
	Depth	33
Liquid Pipe Connection (in)		3/8
Gas Pipe Connection (in)		5/8
Shipping Weight (lb)		76
Net Weight (lb)		58.5



1. Air Outlet
2. Air Filter
3. Grill
4. Refrigerant Piping
5. Louvers
6. Drain Pipe

**NOTES:**

\*Cooling and Heating Capacity data is rated at the following conditions:

Cooling: 80 °F DB / 67 °F WB Indoor, 95 °F DB Outdoor

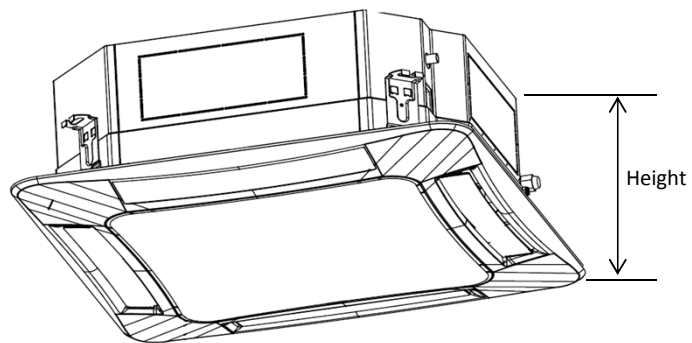
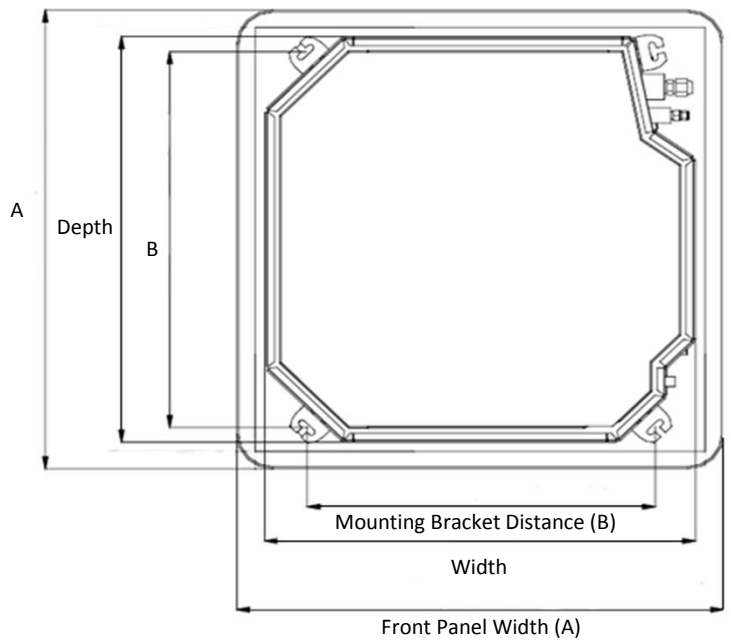
Heating: 70 °F DB Indoor, 47 °F DB

NOTE – Due to Lennox' ongoing commitment to quality, Specifications, Ratings and Dimensions subject to change without notice and without incurring liability. Improper installation, adjustment, alteration, service or maintenance can cause property damage or personal injury. Installation and service must be performed by a qualified installer and servicing agency. ©2015 Lennox Industries Inc.



**SUBMITTAL DATA - INDOOR UNIT**  
**VE4C019N432U**  
**VRF STD 4-WAY CASSETTE TYPE EVAPORATOR**

**DIMENSIONAL DRAWINGS**



	mm	in
<b>Width</b>	840	33.07
<b>Depth</b>	840	33.07
<b>Height</b>	240	9.45
<b>A</b>	950	37.40
<b>B</b>	680	26.77

NOTE – Due to Lennox' ongoing commitment to quality, Specifications, Ratings and Dimensions subject to change without notice and without incurring liability. Improper installation, adjustment, alteration, service or maintenance can cause property damage or personal injury. Installation and service must be performed by a qualified installer and servicing agency. ©2015 Lennox Industries Inc.



**SUBMITTAL DATA - INDOOR UNIT**  
**VE4C021N432U**  
**VRF STD 4-WAY CASSETTE TYPE EVAPORATOR**

**Job Name:** \_\_\_\_\_  
**Location:** \_\_\_\_\_  
**Schedule No.:** \_\_\_\_\_  
**System Designation:** \_\_\_\_\_

**Engineer:** \_\_\_\_\_  
**Architect:** \_\_\_\_\_  
**Date:** \_\_\_\_\_  
**For:** \_\_\_ Reference \_\_\_ Approval \_\_\_ Review \_\_\_ Construction

**FEATURES**

- Auto Addressing installation
- Auto Restart
- Replaceable Front Panel
- Integrated Condensate Pump
- Built-in Electronic Expansion Valve
- LED Display
- Washable Filter
- Water Overflow Protection
- Anti-Freezing Protection

**PRODUCT WARRANTY**

All covered components - one year limited warranty

**SPECIFICATIONS**

**PERFORMANCE**

Cooling Capacity* (Btu/h)		21,496
Heating Capacity* (Btu/h)		24,225
Airflow (CFM)	High	590
	Medium	530
	Low	440

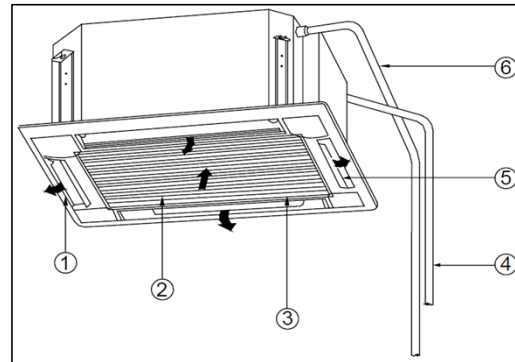
Sound Pressure Level (dBA)                      H / M / L    37/35/32

**ELECTRICAL DATA**

Power Supply (V / Hz / Ph)	220-240/50/1 - 208-230/60/1
MOP (A)	6
Rated Current (A)	Cooling    0.3
	Heating    0.3

**DIMENSIONS**

Unit Dimensions (in)	Height	9 1/2
	Width	33
	Depth	33
Liquid Pipe Connection (in)		3/8
Gas Pipe Connection (in)		5/8
Shipping Weight (lb)		76
Net Weight (lb)		58.5



1. Air Outlet
2. Air Filter
3. Grill
4. Refrigerant Piping
5. Louvers
6. Drain Pipe

**NOTES:**

\*Cooling and Heating Capacity data is rated at the following conditions:

Cooling: 80 °F DB / 67 °F WB Indoor, 95 °F DB Outdoor

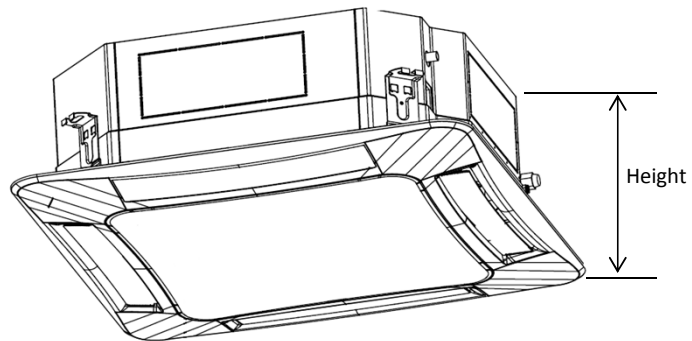
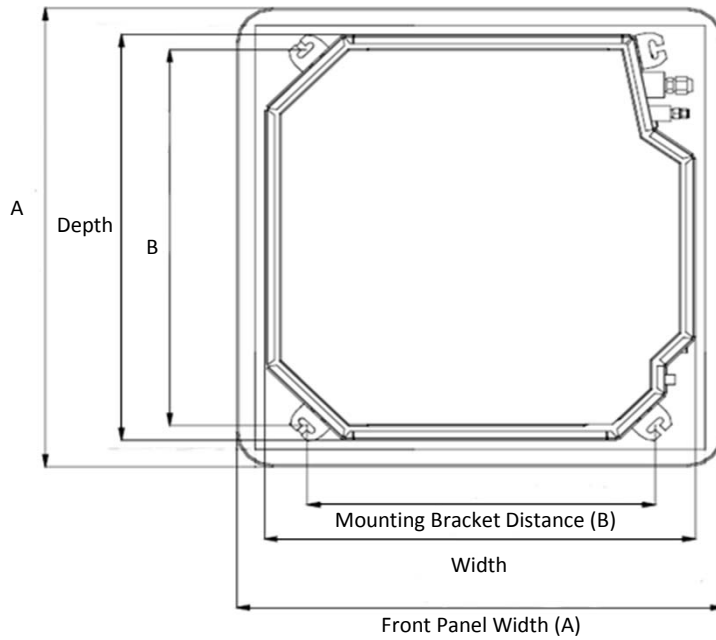
Heating: 70 °F DB Indoor, 47 °F DB

NOTE – Due to Lennox' ongoing commitment to quality, Specifications, Ratings and Dimensions subject to change without notice and without incurring liability. Improper installation, adjustment, alteration, service or maintenance can cause property damage or personal injury. Installation and service must be performed by a qualified installer and servicing agency. ©2015 Lennox Industries Inc.



**SUBMITTAL DATA - INDOOR UNIT**  
**VE4C021N432U**  
**VRF STD 4-WAY CASSETTE TYPE EVAPORATOR**

**DIMENSIONAL DRAWINGS**



	mm	in
<b>Width</b>	840	33.07
<b>Depth</b>	840	33.07
<b>Height</b>	240	9.45
<b>A</b>	950	37.40
<b>B</b>	680	26.77

NOTE – Due to Lennox' ongoing commitment to quality, Specifications, Ratings and Dimensions subject to change without notice and without incurring liability. Improper installation, adjustment, alteration, service or maintenance can cause property damage or personal injury. Installation and service must be performed by a qualified installer and servicing agency. ©2015 Lennox Industries Inc.



**SUBMITTAL DATA - INDOOR UNIT**  
**VE4C024N432U**  
**VRF STD 4-WAY CASSETTE TYPE EVAPORATOR**

**Job Name:** \_\_\_\_\_  
**Location:** \_\_\_\_\_  
**Schedule No.:** \_\_\_\_\_  
**System Designation:** \_\_\_\_\_

**Engineer:** \_\_\_\_\_  
**Architect:** \_\_\_\_\_  
**Date:** \_\_\_\_\_  
**For:** \_\_\_ Reference \_\_\_ Approval \_\_\_ Review \_\_\_ Construction

**FEATURES**

- Auto Addressing installation
- Auto Restart
- Replaceable Front Panel
- Integrated Condensate Pump
- Built-in Electronic Expansion Valve
- LED Display
- Washable Filter
- Water Overflow Protection
- Anti-Freezing Protection

**PRODUCT WARRANTY**

All covered components - one year limited warranty

**SPECIFICATIONS**

**PERFORMANCE**

Cooling Capacity* (Btu/h)		24,225
Heating Capacity* (Btu/h)		27,296
Airflow (CFM)	High	695
	Medium	559
	Low	550

Sound Pressure Level (dBA)                      H / M / L    38/36/33

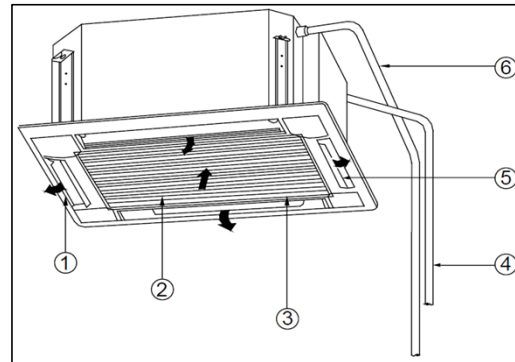
**ELECTRICAL DATA**

Power Supply (V / Hz / Ph)	220-240/50/1 - 208-230/60/1
MOP (A)	6
Rated Current (A)	Cooling    0.3
	Heating    0.3

**DIMENSIONS**

Unit Dimensions (in)	Height	9 1/2
	Width	33
	Depth	33

Liquid Pipe Connection (in)	3/8
Gas Pipe Connection (in)	5/8
Shipping Weight (lb)	76
Net Weight (lb)	58.5



1. Air Outlet
2. Air Filter
3. Grill
4. Refrigerant Piping
5. Louvers
6. Drain Pipe

**NOTES:**

\*Cooling and Heating Capacity data is rated at the following conditions:

Cooling: 80 °F DB / 67 °F WB Indoor, 95 °F DB Outdoor

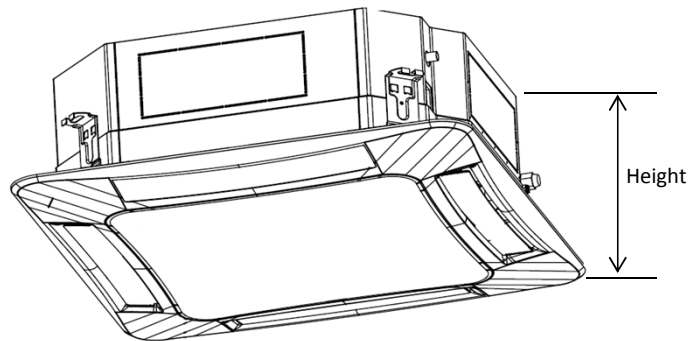
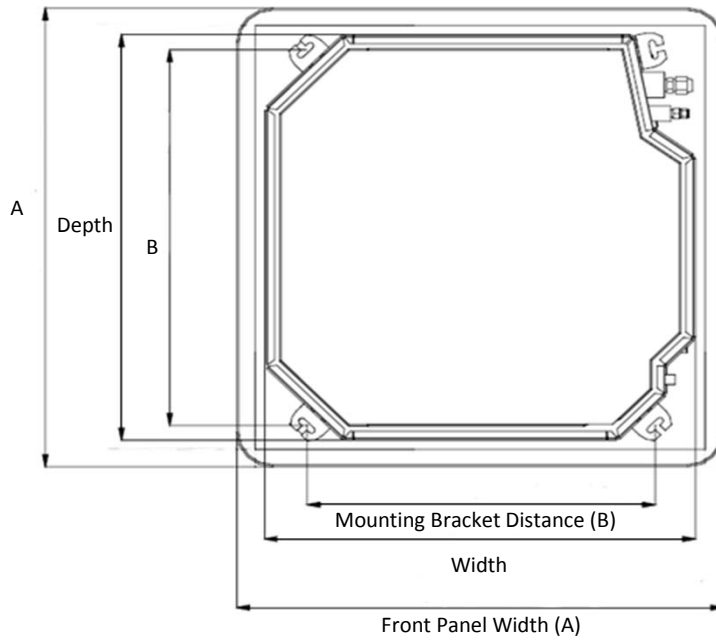
Heating: 70 °F DB Indoor, 47 °F DB

NOTE – Due to Lennox' ongoing commitment to quality, Specifications, Ratings and Dimensions subject to change without notice and without incurring liability. Improper installation, adjustment, alteration, service or maintenance can cause property damage or personal injury. Installation and service must be performed by a qualified installer and servicing agency. ©2015 Lennox Industries Inc.



**SUBMITTAL DATA - INDOOR UNIT**  
**VE4C024N432U**  
**VRF STD 4-WAY CASSETTE TYPE EVAPORATOR**

**DIMENSIONAL DRAWINGS**



	mm	in
<b>Width</b>	840	33.07
<b>Depth</b>	840	33.07
<b>Height</b>	240	9.45
<b>A</b>	950	37.40
<b>B</b>	680	26.77

NOTE – Due to Lennox' ongoing commitment to quality, Specifications, Ratings and Dimensions subject to change without notice and without incurring liability. Improper installation, adjustment, alteration, service or maintenance can cause property damage or personal injury. Installation and service must be performed by a qualified installer and servicing agency. ©2015 Lennox Industries Inc.



**SUBMITTAL DATA - INDOOR UNIT**  
**VE4C027N432U**  
**VRF STD 4-WAY CASSETTE TYPE EVAPORATOR**

**Job Name:** \_\_\_\_\_  
**Location:** \_\_\_\_\_  
**Schedule No.:** \_\_\_\_\_  
**System Designation:** \_\_\_\_\_

**Engineer:** \_\_\_\_\_  
**Architect:** \_\_\_\_\_  
**Date:** \_\_\_\_\_  
**For:** \_\_\_ Reference \_\_\_ Approval \_\_\_ Review \_\_\_ Construction

**FEATURES**

- Auto Addressing installation
- Auto Restart
- Replaceable Front Panel
- Integrated Condensate Pump
- Built-in Electronic Expansion Valve
- LED Display
- Washable Filter
- Water Overflow Protection
- Anti-Freezing Protection

**PRODUCT WARRANTY**

All covered components - one year limited warranty

**SPECIFICATIONS**

**PERFORMANCE**

Cooling Capacity* (Btu/h)		27,296
Heating Capacity* (Btu/h)		30,708
Airflow (CFM)	High	695
	Medium	559
	Low	550

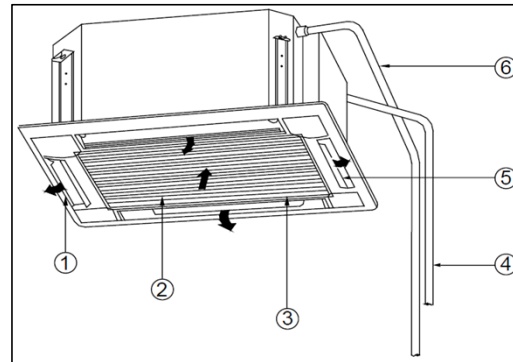
Sound Pressure Level (dBA)                      H / M / L    38/36/33

**ELECTRICAL DATA**

Power Supply (V / Hz / Ph)	220-240/50/1 - 208-230/60/1
MOP (A)	6
Rated Current (A)	Cooling    0.3
	Heating    0.3

**DIMENSIONS**

Unit Dimensions (in)	Height	9 1/2
	Width	33
	Depth	33
Liquid Pipe Connection (in)		3/8
Gas Pipe Connection (in)		5/8
Shipping Weight (lb)		76
Net Weight (lb)		58.5



1. Air Outlet
2. Air Filter
3. Grill
4. Refrigerant Piping
5. Louvers
6. Drain Pipe

**NOTES:**

\*Cooling and Heating Capacity data is rated at the following conditions:

Cooling: 80 °F DB / 67 °F WB Indoor, 95 °F DB Outdoor

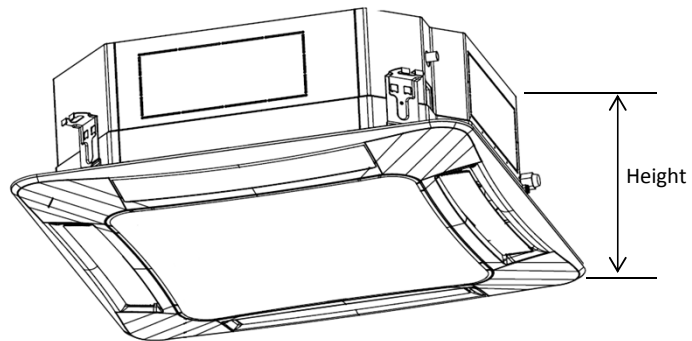
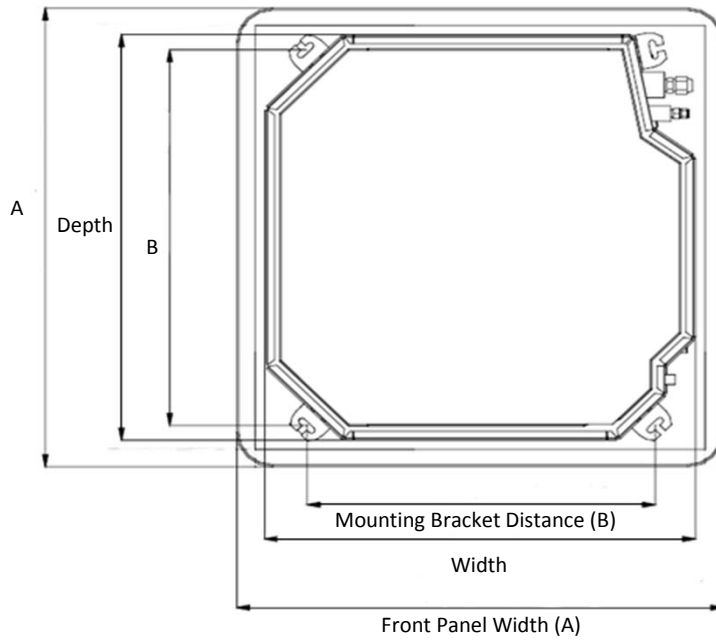
Heating: 70 °F DB Indoor, 47 °F DB

NOTE – Due to Lennox' ongoing commitment to quality, Specifications, Ratings and Dimensions subject to change without notice and without incurring liability. Improper installation, adjustment, alteration, service or maintenance can cause property damage or personal injury. Installation and service must be performed by a qualified installer and servicing agency. ©2015 Lennox Industries Inc.



**SUBMITTAL DATA - INDOOR UNIT**  
**VE4C027N432U**  
**VRF STD 4-WAY CASSETTE TYPE EVAPORATOR**

**DIMENSIONAL DRAWINGS**



	mm	in
<b>Width</b>	840	33.07
<b>Depth</b>	840	33.07
<b>Height</b>	240	9.45
<b>A</b>	950	37.40
<b>B</b>	680	26.77

NOTE – Due to Lennox' ongoing commitment to quality, Specifications, Ratings and Dimensions subject to change without notice and without incurring liability. Improper installation, adjustment, alteration, service or maintenance can cause property damage or personal injury. Installation and service must be performed by a qualified installer and servicing agency. ©2015 Lennox Industries Inc.





**SUBMITTAL DATA - INDOOR UNIT**  
**VE4C030N432U**  
**VRF STD 4-WAY CASSETTE TYPE EVAPORATOR**

**Job Name:** \_\_\_\_\_  
**Location:** \_\_\_\_\_  
**Schedule No.:** \_\_\_\_\_  
**System Designation:** \_\_\_\_\_

**Engineer:** \_\_\_\_\_  
**Architect:** \_\_\_\_\_  
**Date:** \_\_\_\_\_  
**For:** \_\_\_ Reference \_\_\_ Approval \_\_\_ Review \_\_\_ Construction

**FEATURES**

- Auto Addressing installation
- Auto Restart
- Replaceable Front Panel
- Integrated Condensate Pump
- Built-in Electronic Expansion Valve
- LED Display
- Washable Filter
- Water Overflow Protection
- Anti-Freezing Protection

**PRODUCT WARRANTY**

All covered components - one year limited warranty

**SPECIFICATIONS**

**PERFORMANCE**

Cooling Capacity* (Btu/h)		30,708
Heating Capacity* (Btu/h)		34,120
Airflow (CFM)	High	880
	Medium	795
	Low	650

Sound Pressure Level (dBA)                      H / M / L    40/37/35

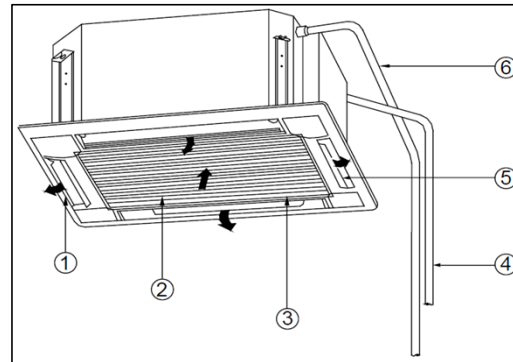
**ELECTRICAL DATA**

Power Supply (V / Hz / Ph)	220-240/50/1 - 208-230/60/1
MOP (A)	6
Rated Current (A)	Cooling    0.4
	Heating    0.4

**DIMENSIONS**

Unit Dimensions (in)	Height	12 1/2
	Width	33
	Depth	33

Liquid Pipe Connection (in)	3/8
Gas Pipe Connection (in)	5/8
Shipping Weight (lb)	88.2
Net Weight (lb)	71.6



1. Air Outlet
2. Air Filter
3. Grill
4. Refrigerant Piping
5. Louvers
6. Drain Pipe

**NOTES:**

\*Cooling and Heating Capacity data is rated at the following conditions:

Cooling: 80 °F DB / 67 °F WB Indoor, 95 °F DB Outdoor

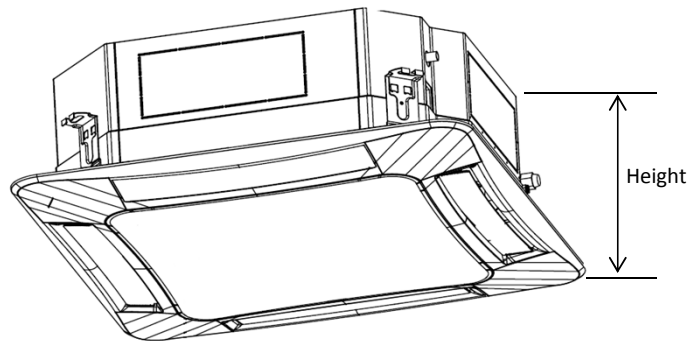
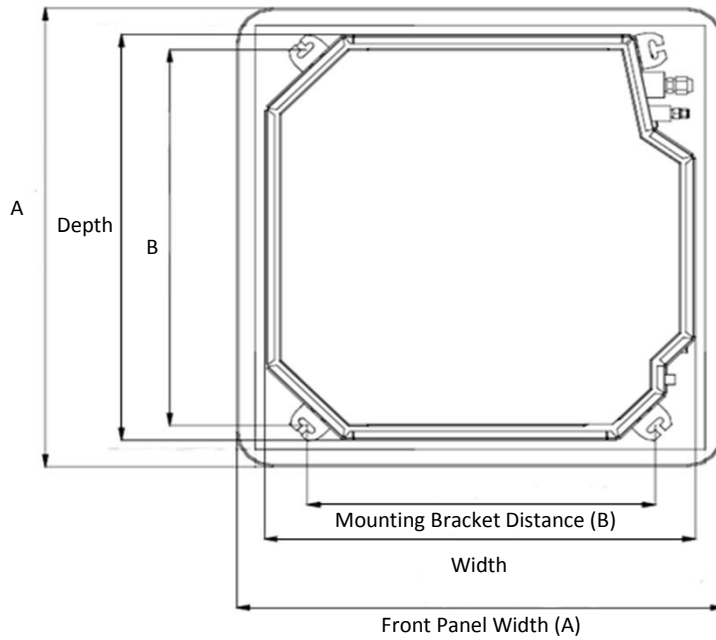
Heating: 70 °F DB Indoor, 47 °F DB

NOTE – Due to Lennox' ongoing commitment to quality, Specifications, Ratings and Dimensions subject to change without notice and without incurring liability. Improper installation, adjustment, alteration, service or maintenance can cause property damage or personal injury. Installation and service must be performed by a qualified installer and servicing agency. ©2015 Lennox Industries Inc.



**SUBMITTAL DATA - INDOOR UNIT**  
**VE4C030N432U**  
**VRF STD 4-WAY CASSETTE TYPE EVAPORATOR**

**DIMENSIONAL DRAWINGS**



	mm	in
<b>Width</b>	840	33.07
<b>Depth</b>	840	33.07
<b>Height</b>	320	12.60
<b>A</b>	950	37.40
<b>B</b>	680	26.77

NOTE – Due to Lennox' ongoing commitment to quality, Specifications, Ratings and Dimensions subject to change without notice and without incurring liability. Improper installation, adjustment, alteration, service or maintenance can cause property damage or personal injury. Installation and service must be performed by a qualified installer and servicing agency. ©2015 Lennox Industries Inc.



**SUBMITTAL DATA - INDOOR UNIT**  
**VE4C034N432U**  
**VRF STD 4-WAY CASSETTE TYPE EVAPORATOR**

**Job Name:** \_\_\_\_\_  
**Location:** \_\_\_\_\_  
**Schedule No.:** \_\_\_\_\_  
**System Designation:** \_\_\_\_\_

**Engineer:** \_\_\_\_\_  
**Architect:** \_\_\_\_\_  
**Date:** \_\_\_\_\_  
**For:** \_\_\_ Reference \_\_\_ Approval \_\_\_ Review \_\_\_ Construction

**FEATURES**

- Auto Addressing installation
- Auto Restart
- Replaceable Front Panel
- Integrated Condensate Pump
- Built-in Electronic Expansion Valve
- LED Display
- Washable Filter
- Water Overflow Protection
- Anti-Freezing Protection

**PRODUCT WARRANTY**

All covered components - one year limited warranty

**SPECIFICATIONS**

**PERFORMANCE**

Cooling Capacity* (Btu/h)		34,120
Heating Capacity* (Btu/h)		38,214
Airflow (CFM)	High	880
	Medium	795
	Low	650

Sound Pressure Level (dBA)                      H / M / L    40/37/35

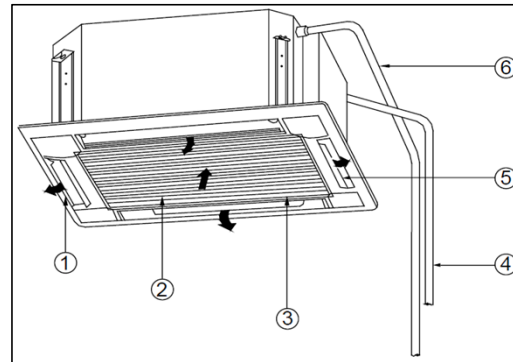
**ELECTRICAL DATA**

Power Supply (V / Hz / Ph)	220-240/50/1 - 208-230/60/1
MOP (A)	6
Rated Current (A)	Cooling    0.4
	Heating    0.4

**DIMENSIONS**

Unit Dimensions (in)	Height	12 1/2
	Width	33
	Depth	33

Liquid Pipe Connection (in)	3/8
Gas Pipe Connection (in)	5/8
Shipping Weight (lb)	88.2
Net Weight (lb)	71.6



1. Air Outlet
2. Air Filter
3. Grill
4. Refrigerant Piping
5. Louvers
6. Drain Pipe

**NOTES:**

\*Cooling and Heating Capacity data is rated at the following conditions:

Cooling: 80 °F DB / 67 °F WB Indoor, 95 °F DB Outdoor

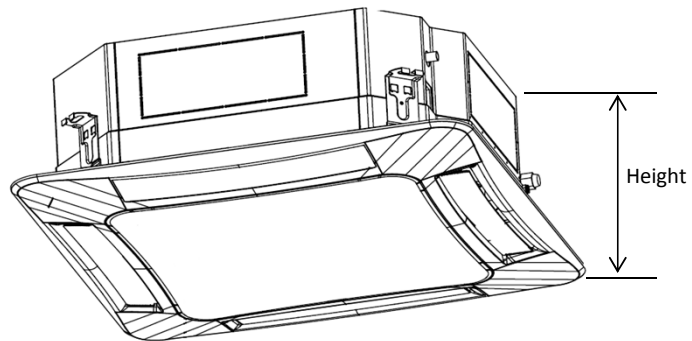
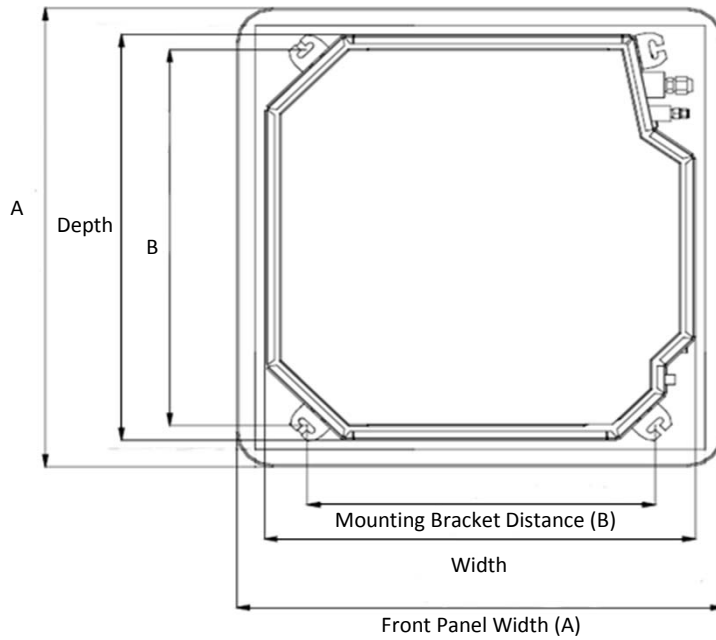
Heating: 70 °F DB Indoor, 47 °F DB

NOTE – Due to Lennox' ongoing commitment to quality, Specifications, Ratings and Dimensions subject to change without notice and without incurring liability. Improper installation, adjustment, alteration, service or maintenance can cause property damage or personal injury. Installation and service must be performed by a qualified installer and servicing agency. ©2015 Lennox Industries Inc.



**SUBMITTAL DATA - INDOOR UNIT**  
**VE4C034N432U**  
**VRF STD 4-WAY CASSETTE TYPE EVAPORATOR**

**DIMENSIONAL DRAWINGS**



	mm	in
<b>Width</b>	840	33.07
<b>Depth</b>	840	33.07
<b>Height</b>	320	12.60
<b>A</b>	950	37.40
<b>B</b>	680	26.77

NOTE – Due to Lennox' ongoing commitment to quality, Specifications, Ratings and Dimensions subject to change without notice and without incurring liability. Improper installation, adjustment, alteration, service or maintenance can cause property damage or personal injury. Installation and service must be performed by a qualified installer and servicing agency. ©2015 Lennox Industries Inc.



**SUBMITTAL DATA - INDOOR UNIT**  
**VE4C038N432U**  
**VRF STD 4-WAY CASSETTE TYPE EVAPORATOR**

**Job Name:** \_\_\_\_\_  
**Location:** \_\_\_\_\_  
**Schedule No.:** \_\_\_\_\_  
**System Designation:** \_\_\_\_\_

**Engineer:** \_\_\_\_\_  
**Architect:** \_\_\_\_\_  
**Date:** \_\_\_\_\_  
**For:** \_\_\_ Reference \_\_\_ Approval \_\_\_ Review \_\_\_ Construction

**FEATURES**

- Auto Addressing installation
- Auto Restart
- Replaceable Front Panel
- Integrated Condensate Pump
- Built-in Electronic Expansion Valve
- LED Display
- Washable Filter
- Water Overflow Protection
- Anti-Freezing Protection

**PRODUCT WARRANTY**

All covered components - one year limited warranty

**SPECIFICATIONS**

**PERFORMANCE**

Cooling Capacity* (Btu/h)		38,214
Heating Capacity* (Btu/h)		42,650
Airflow (CFM)	High	1000
	Medium	824
	Low	650

Sound Pressure Level (dBA)                      H / M / L    41/38/36

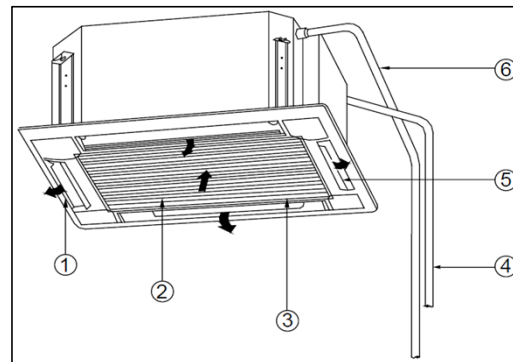
**ELECTRICAL DATA**

Power Supply (V / Hz / Ph)	220-240/50/1 - 208-230/60/1
MOP (A)	6
Rated Current (A)	Cooling    0.5
	Heating    0.5

**DIMENSIONS**

Unit Dimensions (in)	Height	12 1/2
	Width	33
	Depth	33

Liquid Pipe Connection (in)	3/8
Gas Pipe Connection (in)	5/8
Shipping Weight (lb)	88.2
Net Weight (lb)	71.6



1. Air Outlet
2. Air Filter
3. Grill
4. Refrigerant Piping
5. Louvers
6. Drain Pipe

**NOTES:**

\*Cooling and Heating Capacity data is rated at the following conditions:

Cooling: 80 °F DB / 67 °F WB Indoor, 95 °F DB Outdoor

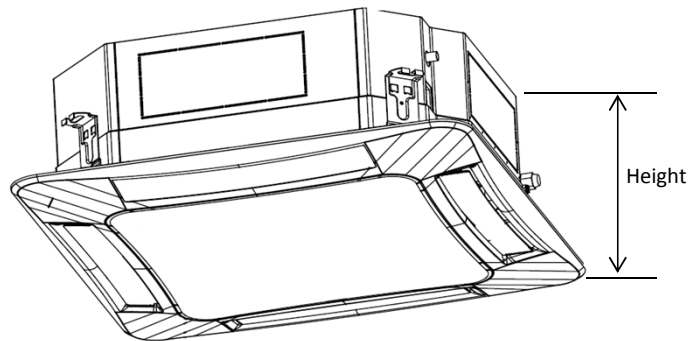
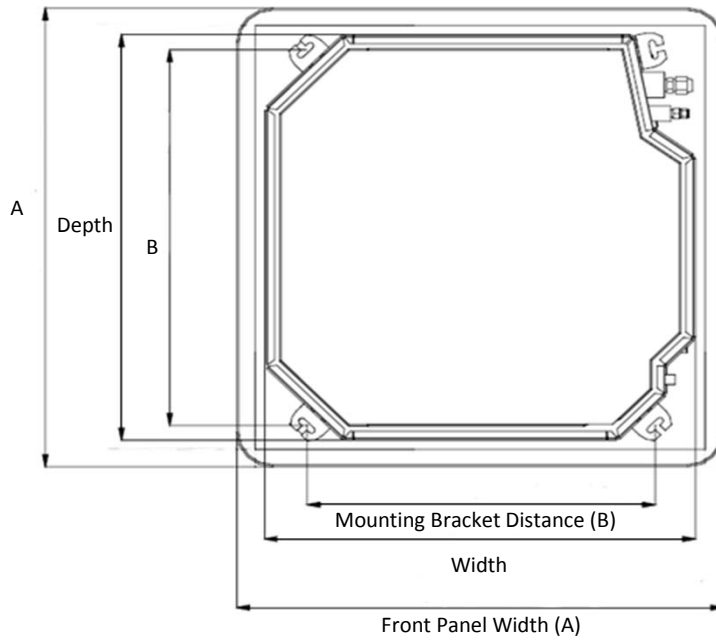
Heating: 70 °F DB Indoor, 47 °F DB

NOTE – Due to Lennox' ongoing commitment to quality, Specifications, Ratings and Dimensions subject to change without notice and without incurring liability. Improper installation, adjustment, alteration, service or maintenance can cause property damage or personal injury. Installation and service must be performed by a qualified installer and servicing agency. ©2015 Lennox Industries Inc.



**SUBMITTAL DATA - INDOOR UNIT**  
**VE4C038N432U**  
**VRF STD 4-WAY CASSETTE TYPE EVAPORATOR**

**DIMENSIONAL DRAWINGS**



	mm	in
<b>Width</b>	840	33.07
<b>Depth</b>	840	33.07
<b>Height</b>	320	12.60
<b>A</b>	950	37.40
<b>B</b>	680	26.77

NOTE – Due to Lennox' ongoing commitment to quality, Specifications, Ratings and Dimensions subject to change without notice and without incurring liability. Improper installation, adjustment, alteration, service or maintenance can cause property damage or personal injury. Installation and service must be performed by a qualified installer and servicing agency. ©2015 Lennox Industries Inc.



**SUBMITTAL DATA - INDOOR UNIT**  
**VE4C042N432U**  
**VRF STD 4-WAY CASSETTE TYPE EVAPORATOR**

**Job Name:** \_\_\_\_\_  
**Location:** \_\_\_\_\_  
**Schedule No.:** \_\_\_\_\_  
**System Designation:** \_\_\_\_\_

**Engineer:** \_\_\_\_\_  
**Architect:** \_\_\_\_\_  
**Date:** \_\_\_\_\_  
**For:** \_\_\_ Reference \_\_\_ Approval \_\_\_ Review \_\_\_ Construction

**FEATURES**

- Auto Addressing installation
- Auto Restart
- Replaceable Front Panel
- Integrated Condensate Pump
- Built-in Electronic Expansion Valve
- LED Display
- Washable Filter
- Water Overflow Protection
- Anti-Freezing Protection

**PRODUCT WARRANTY**

All covered components - one year limited warranty

**SPECIFICATIONS**

**PERFORMANCE**

Cooling Capacity* (Btu/h)		42,650
Heating Capacity* (Btu/h)		47,768
Airflow (CFM)	High	1095
	Medium	880
	Low	677

Sound Pressure Level (dBA)                      H / M / L    43/41/38

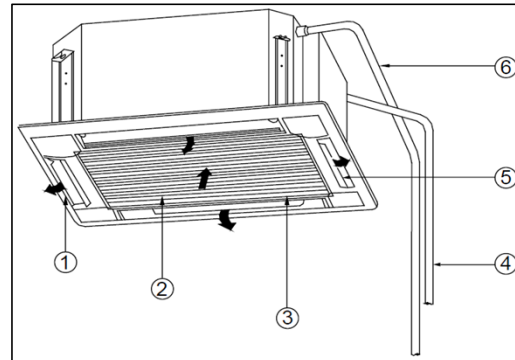
**ELECTRICAL DATA**

Power Supply (V / Hz / Ph)	220-240/50/1 - 208-230/60/1
MOP (A)	6
Rated Current (A)	Cooling    0.5
	Heating    0.5

**DIMENSIONS**

Unit Dimensions (in)	Height	12 1/2
	Width	33
	Depth	33

Liquid Pipe Connection (in)	3/8
Gas Pipe Connection (in)	5/8
Shipping Weight (lb)	88.2
Net Weight (lb)	71.6



1. Air Outlet
2. Air Filter
3. Grill
4. Refrigerant Piping
5. Louvers
6. Drain Pipe

**NOTES:**

\*Cooling and Heating Capacity data is rated at the following conditions:

Cooling: 80 °F DB / 67 °F WB Indoor, 95 °F DB Outdoor

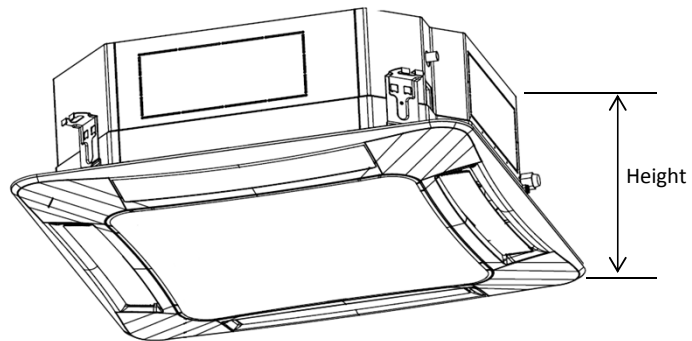
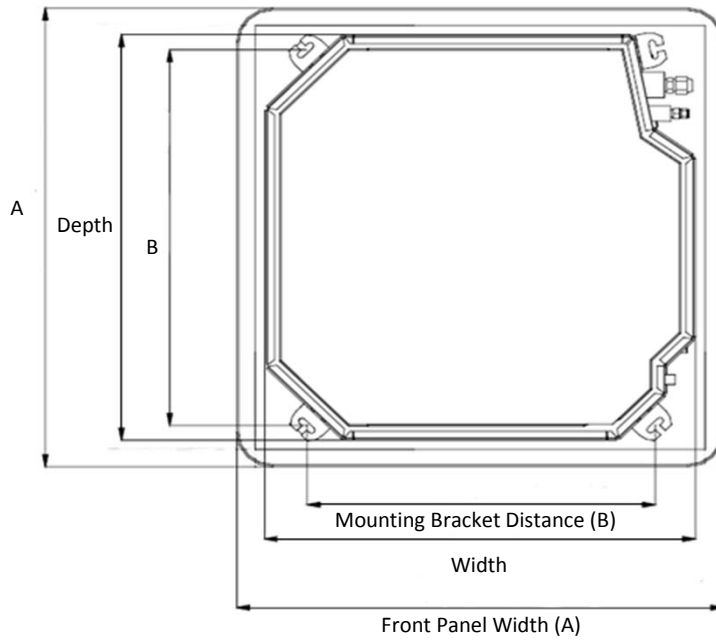
Heating: 70 °F DB Indoor, 47 °F DB

NOTE – Due to Lennox' ongoing commitment to quality, Specifications, Ratings and Dimensions subject to change without notice and without incurring liability. Improper installation, adjustment, alteration, service or maintenance can cause property damage or personal injury. Installation and service must be performed by a qualified installer and servicing agency. ©2015 Lennox Industries Inc.



**SUBMITTAL DATA - INDOOR UNIT**  
**VE4C042N432U**  
**VRF STD 4-WAY CASSETTE TYPE EVAPORATOR**

**DIMENSIONAL DRAWINGS**



	mm	in
<b>Width</b>	840	33.07
<b>Depth</b>	840	33.07
<b>Height</b>	320	12.60
<b>A</b>	950	37.40
<b>B</b>	680	26.77

NOTE – Due to Lennox' ongoing commitment to quality, Specifications, Ratings and Dimensions subject to change without notice and without incurring liability. Improper installation, adjustment, alteration, service or maintenance can cause property damage or personal injury. Installation and service must be performed by a qualified installer and servicing agency. ©2015 Lennox Industries Inc.





**SUBMITTAL DATA - INDOOR UNIT**  
**VE4C048N432U**  
**VRF STD 4-WAY CASSETTE TYPE EVAPORATOR**

**Job Name:** \_\_\_\_\_  
**Location:** \_\_\_\_\_  
**Schedule No.:** \_\_\_\_\_  
**System Designation:** \_\_\_\_\_

**Engineer:** \_\_\_\_\_  
**Architect:** \_\_\_\_\_  
**Date:** \_\_\_\_\_  
**For:** \_\_\_ Reference \_\_\_ Approval \_\_\_ Review \_\_\_ Construction

**FEATURES**

- Auto Addressing installation
- Auto Restart
- Replaceable Front Panel
- Integrated Condensate Pump
- Built-in Electronic Expansion Valve
- LED Display
- Washable Filter
- Water Overflow Protection
- Anti-Freezing Protection

**PRODUCT WARRANTY**

All covered components - one year limited warranty

**SPECIFICATIONS**

**PERFORMANCE**

Cooling Capacity* (Btu/h)		47,768
Heating Capacity* (Btu/h)		54,592
Airflow (CFM)	High	1095
	Medium	880
	Low	677

Sound Pressure Level (dBA)                      H / M / L    43/41/38

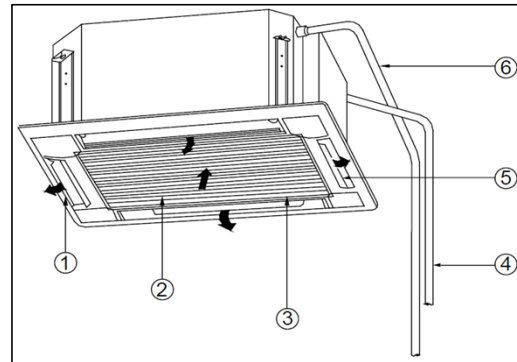
**ELECTRICAL DATA**

Power Supply (V / Hz / Ph)	220-240/50/1 - 208-230/60/1
MOP (A)	6
Rated Current (A)	Cooling    0.5
	Heating    0.5

**DIMENSIONS**

Unit Dimensions (in)	Height	12 1/2
	Width	33
	Depth	33

Liquid Pipe Connection (in)	3/8
Gas Pipe Connection (in)	5/8
Shipping Weight (lb)	88.2
Net Weight (lb)	71.6



1. Air Outlet
2. Air Filter
3. Grill
4. Refrigerant Piping
5. Louvers
6. Drain Pipe

**NOTES:**

\*Cooling and Heating Capacity data is rated at the following conditions:

Cooling: 80 °F DB / 67 °F WB Indoor, 95 °F DB Outdoor

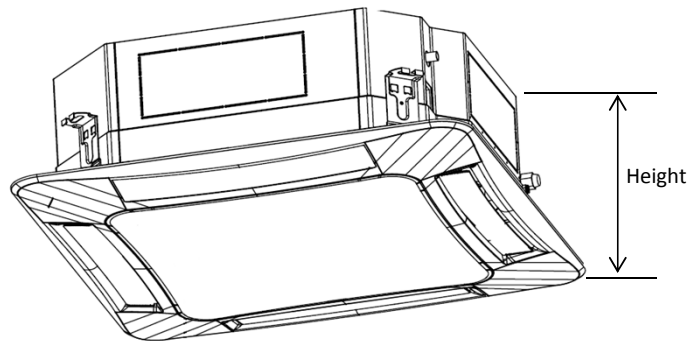
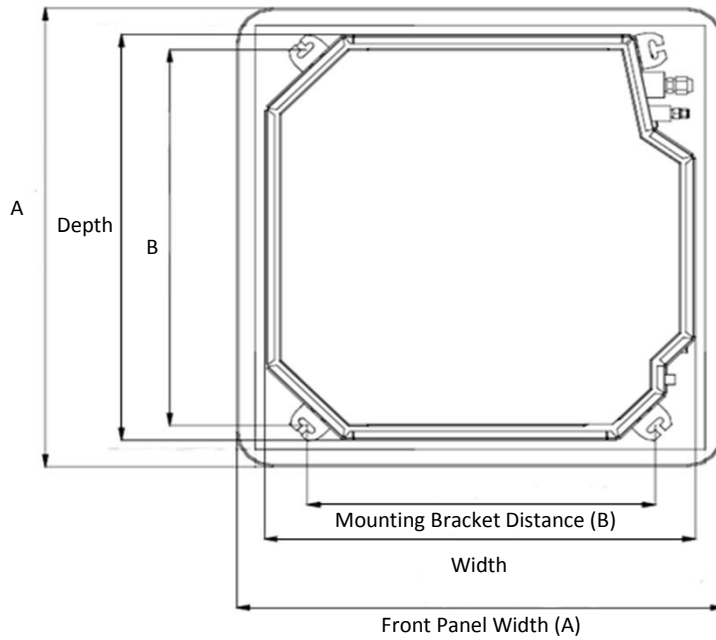
Heating: 70 °F DB Indoor, 47 °F DB

NOTE – Due to Lennox' ongoing commitment to quality, Specifications, Ratings and Dimensions subject to change without notice and without incurring liability. Improper installation, adjustment, alteration, service or maintenance can cause property damage or personal injury. Installation and service must be performed by a qualified installer and servicing agency. ©2015 Lennox Industries Inc.



**SUBMITTAL DATA - INDOOR UNIT**  
**VE4C048N432U**  
**VRF STD 4-WAY CASSETTE TYPE EVAPORATOR**

**DIMENSIONAL DRAWINGS**



	mm	in
<b>Width</b>	840	33.07
<b>Depth</b>	840	33.07
<b>Height</b>	320	12.60
<b>A</b>	950	37.40
<b>B</b>	680	26.77

NOTE – Due to Lennox' ongoing commitment to quality, Specifications, Ratings and Dimensions subject to change without notice and without incurring liability. Improper installation, adjustment, alteration, service or maintenance can cause property damage or personal injury. Installation and service must be performed by a qualified installer and servicing agency. ©2015 Lennox Industries Inc.



**SUBMITTAL DATA - INDOOR UNIT**  
**VE4C055N432U**  
**VRF STD 4-WAY CASSETTE TYPE EVAPORATOR**

**Job Name:** \_\_\_\_\_  
**Location:** \_\_\_\_\_  
**Schedule No.:** \_\_\_\_\_  
**System Designation:** \_\_\_\_\_

**Engineer:** \_\_\_\_\_  
**Architect:** \_\_\_\_\_  
**Date:** \_\_\_\_\_  
**For:** \_\_\_ Reference \_\_\_ Approval \_\_\_ Review \_\_\_ Construction

**FEATURES**

- Auto Addressing installation
- Auto Restart
- Replaceable Front Panel
- Integrated Condensate Pump
- Built-in Electronic Expansion Valve
- LED Display
- Washable Filter
- Water Overflow Protection
- Anti-Freezing Protection

**PRODUCT WARRANTY**

All covered components - one year limited warranty

**SPECIFICATIONS**

**PERFORMANCE**

Cooling Capacity* (Btu/h)		54,590
Heating Capacity* (Btu/h)		59,710
Airflow (CFM)	High	1235
	Medium	1000
	Low	824

Sound Pressure Level (dBA)                      H / M / L    47/44/42

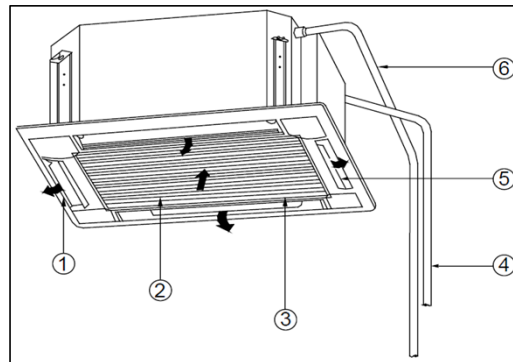
**ELECTRICAL DATA**

Power Supply (V / Hz / Ph)	220-240/50/1 - 208-230/60/1
MOP (A)	6
Rated Current (A)	Cooling    0.6
	Heating    0.6

**DIMENSIONS**

Unit Dimensions (in)	Height	11 1/2
	Width	36
	Depth	36

Liquid Pipe Connection (in)	3/8
Gas Pipe Connection (in)	3/4
Shipping Weight (lb)	124.6
Net Weight (lb)	102.5



1. Air Outlet
2. Air Filter
3. Grill
4. Refrigerant Piping
5. Louvers
6. Drain Pipe

**NOTES:**

\*Cooling and Heating Capacity data is rated at the following conditions:

Cooling: 80 °F DB / 67 °F WB Indoor, 95 °F DB Outdoor

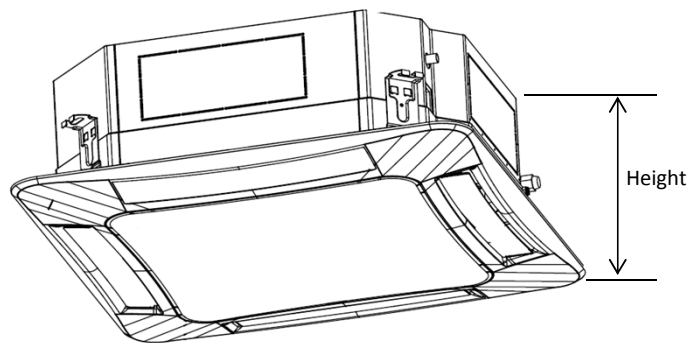
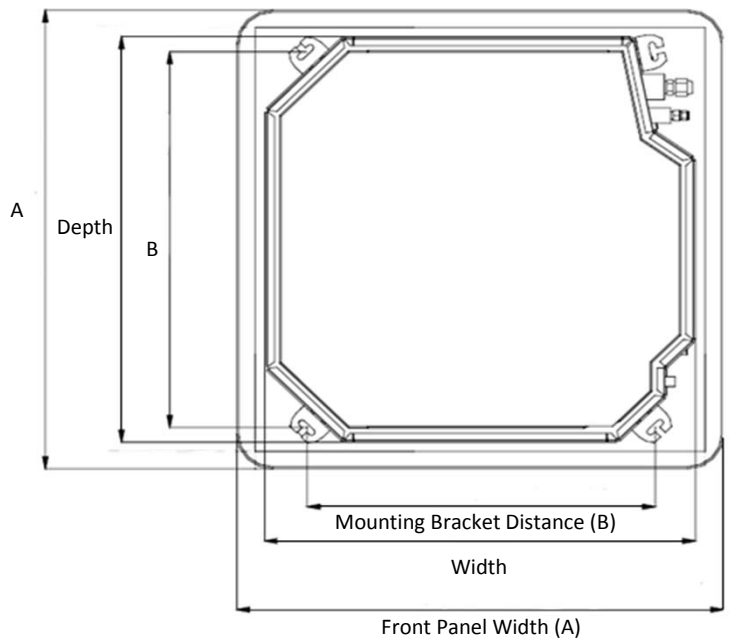
Heating: 70 °F DB Indoor, 47 °F DB

NOTE – Due to Lennox' ongoing commitment to quality, Specifications, Ratings and Dimensions subject to change without notice and without incurring liability. Improper installation, adjustment, alteration, service or maintenance can cause property damage or personal injury. Installation and service must be performed by a qualified installer and servicing agency. ©2015 Lennox Industries Inc.



**SUBMITTAL DATA - INDOOR UNIT**  
**VE4C055N432U**  
**VRF STD 4-WAY CASSETTE TYPE EVAPORATOR**

**DIMENSIONAL DRAWINGS**



	mm	in
<b>Width</b>	910	35.83
<b>Depth</b>	910	35.83
<b>Height</b>	293	11.54
<b>A</b>	1040	40.94
<b>B</b>	787	30.98

NOTE – Due to Lennox’ ongoing commitment to quality, Specifications, Ratings and Dimensions subject to change without notice and without incurring liability. Improper installation, adjustment, alteration, service or maintenance can cause property damage or personal injury. Installation and service must be performed by a qualified installer and servicing agency. ©2015 Lennox Industries Inc.