



SUBMITTAL DATA - OUTDOOR UNIT
VEP075N432K
VRF HEAT PUMP

Job Name: _____
Location: _____
Schedule No.: _____
System Designation: _____

Engineer: _____
Architect: _____
Date: _____
For: ___ Reference ___ Approval ___ Review ___ Construction

FEATURES

- Two-pipe heat pump
- Accelerated complete coil defrost
- Hinged electrical box for ease of maintenance
- High efficiency DC Inverter Scroll compressor
- Intelligent duty cycle operation
- Night Silent operation

PRODUCT WARRANTY

Compressor - Three year limited warranty
 All other components - one year limited warranty

SPECIFICATIONS

PERFORMANCE

Cooling Capacity* (Btu/h)	76,430
EER (W/W)	4.31
Heating Capacity* (Btu/h)	85,300
COP (W/W)	4.55

ELECTRICAL DATA

Power Supply	220-240V/3Ph/50Hz - 208-230V/3Ph/60Hz
MOP (A)	60
MCA (A)	36
No. of Compressors	1
No. of Fans	1

GENERAL DATA

Combination Ratio Indoor / Outdoor	50% to 130%
Max. # of Indoor Units	13 units
Sound Pressure Level (dBA)	60
Refrigerant Type	R410a
Factory Refrigerant Charge (oz)	208.1

DIMENSIONS

Unit Dimensions (in)	Height	63 1/4
	Width	36 1/2
	Depth	30 1/8
Liquid Pipe Connection (in)		1/4
Gas Pipe Connection (in)		3/4
Shipping Weight (lb)		518.2
Net Weight (lb)		496.1



NOTES:

*Cooling and Heating Capacity data is rated at the following conditions:

Cooling: 80 °F DB / 67 °F WB Indoor, 95 °F DB Outdoor

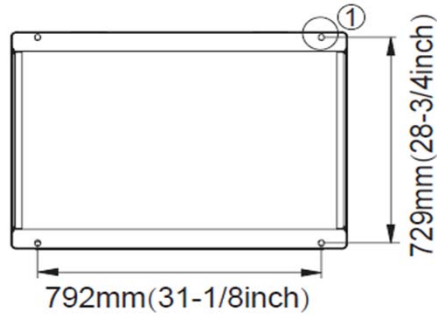
Heating: 70 °F DB Indoor, 47 °F DB

NOTE – Due to Lennox' ongoing commitment to quality, Specifications, Ratings and Dimensions subject to change without notice and without incurring liability. Improper installation, adjustment, alteration, service or maintenance can cause property damage or personal injury. Installation and service must be performed by a qualified installer and servicing agency. ©2014 Lennox Industries Inc.

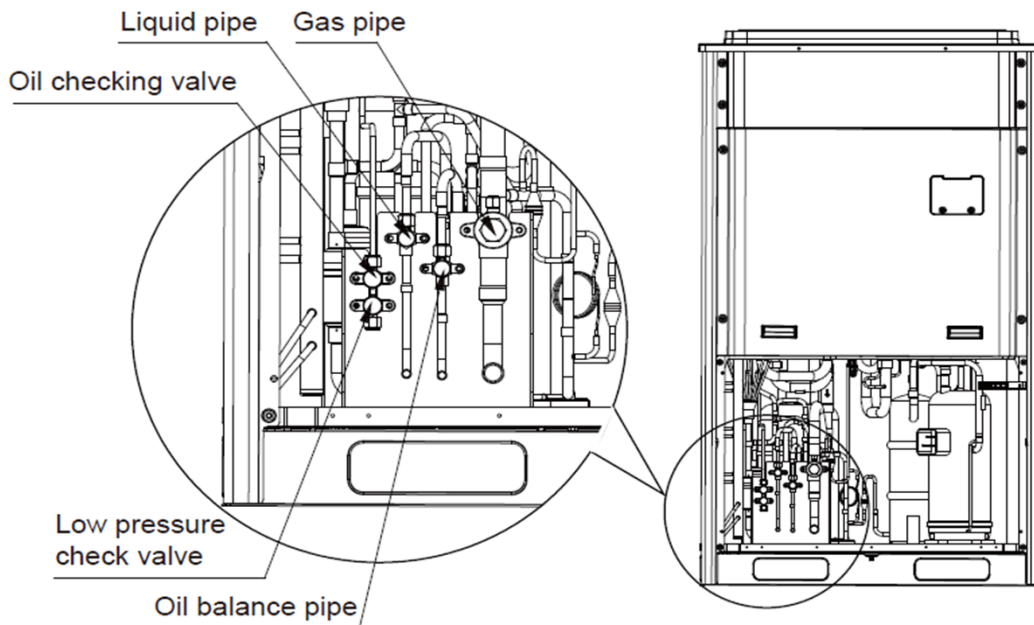
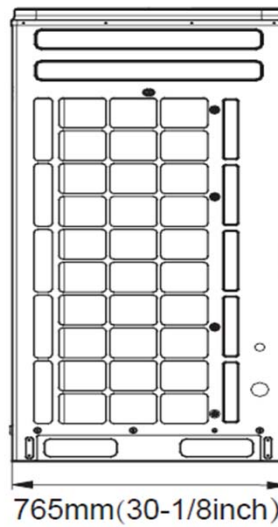
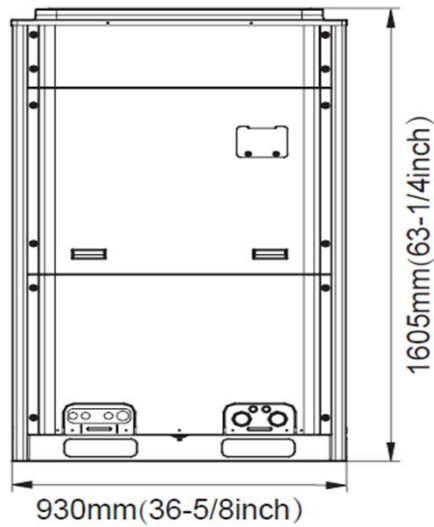
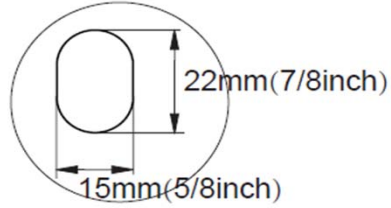


SUBMITTAL DATA - OUTDOOR UNIT
VEP075N432K
VRF HEAT PUMP

DIMENSIONAL DRAWINGS



① Installation hole



NOTE – Due to Lennox' ongoing commitment to quality, Specifications, Ratings and Dimensions subject to change without notice and without incurring liability. Improper installation, adjustment, alteration, service or maintenance can cause property damage or personal injury. Installation and service must be performed by a qualified installer and servicing agency. ©2014 Lennox Industries Inc.



SUBMITTAL DATA - OUTDOOR UNIT
VEP096N432K
VRF HEAT PUMP

Job Name: _____
Location: _____
Schedule No.: _____
System Designation: _____

Engineer: _____
Architect: _____
Date: _____
For: ___ Reference ___ Approval ___ Review ___ Construction

FEATURES

- Two-pipe heat pump
- Accelerated complete coil defrost
- Hinged electrical box for ease of maintenance
- High efficiency DC Inverter Scroll compressor
- Intelligent duty cycle operation
- Night Silent operation

PRODUCT WARRANTY

Compressor - Three year limited warranty
 All other components - one year limited warranty

SPECIFICATIONS

PERFORMANCE

Cooling Capacity* (Btu/h)	95,540
EER (W/W)	4.00
Heating Capacity* (Btu/h)	107,480
COP (W/W)	4.32

ELECTRICAL DATA

Power Supply	220-240V/3Ph/50Hz - 208-230V/3Ph/60Hz
MOP (A)	60
MCA (A)	38
No. of Compressors	1
No. of Fans	1

GENERAL DATA

Combination Ratio Indoor / Outdoor	50% to 130%
Max. # of Indoor Units	16 units
Sound Pressure Level (dBA)	61
Refrigerant Type	R410a
Factory Refrigerant Charge (oz)	236.4

DIMENSIONS

Unit Dimensions (in)	Height	63 1/4
	Width	36 1/2
	Depth	30 1/8
Liquid Pipe Connection (in)		1/4
Gas Pipe Connection (in)		1
Shipping Weight (lb)		518.2
Net Weight (lb)		496.1



NOTES:

*Cooling and Heating Capacity data is rated at the following conditions:

Cooling: 80 °F DB / 67 °F WB Indoor, 95 °F DB Outdoor

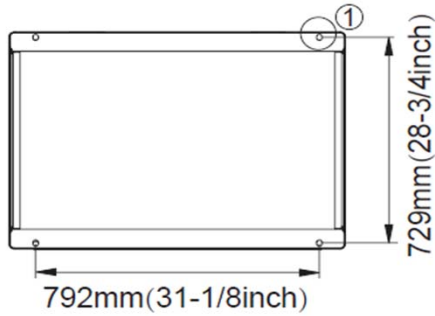
Heating: 70 °F DB Indoor, 47 °F DB

NOTE – Due to Lennox' ongoing commitment to quality, Specifications, Ratings and Dimensions subject to change without notice and without incurring liability. Improper installation, adjustment, alteration, service or maintenance can cause property damage or personal injury. Installation and service must be performed by a qualified installer and servicing agency. ©2014 Lennox Industries Inc.

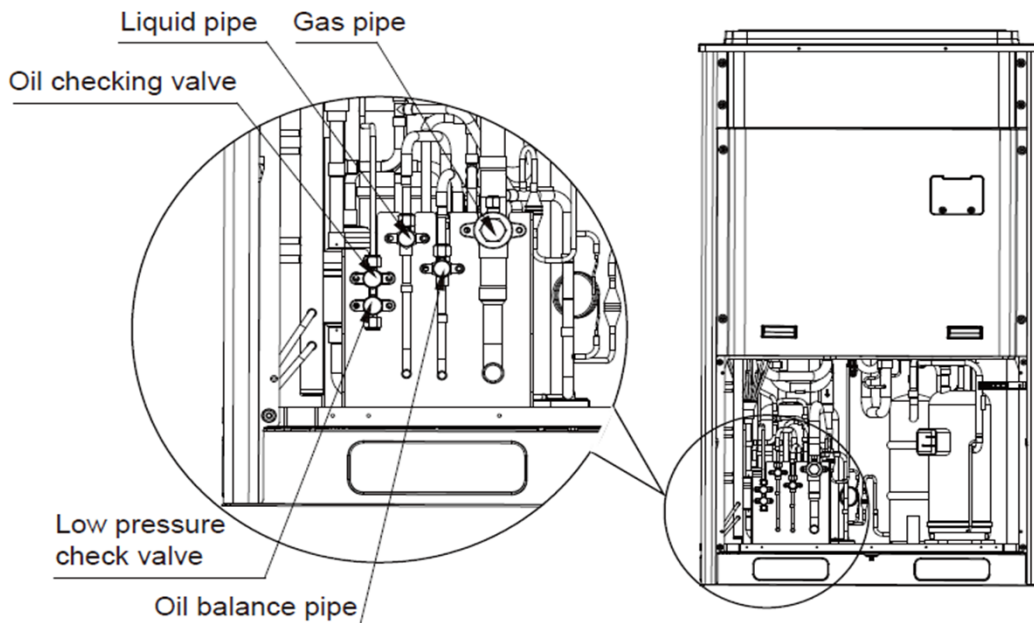
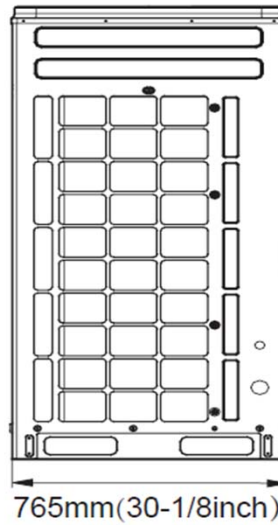
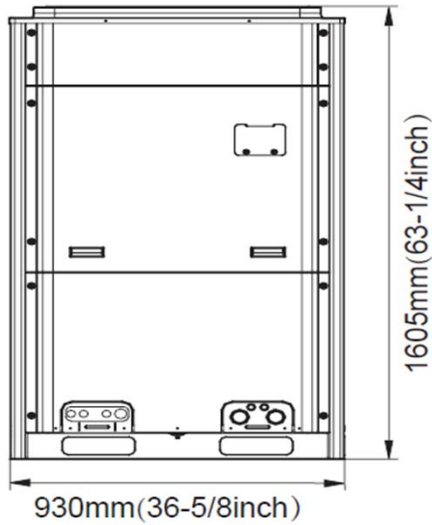
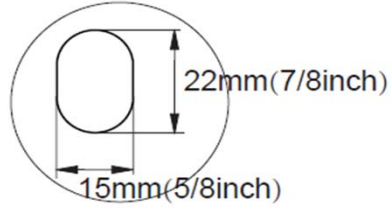


SUBMITTAL DATA - OUTDOOR UNIT
VEP096N432K
VRF HEAT PUMP

DIMENSIONAL DRAWINGS



① Installation hole



NOTE – Due to Lennox' ongoing commitment to quality, Specifications, Ratings and Dimensions subject to change without notice and without incurring liability. Improper installation, adjustment, alteration, service or maintenance can cause property damage or personal injury. Installation and service must be performed by a qualified installer and servicing agency. ©2014 Lennox Industries Inc.



SUBMITTAL DATA - OUTDOOR UNIT
VEP120N432K
VRF HEAT PUMP

Job Name: _____
Location: _____
Schedule No.: _____
System Designation: _____

Engineer: _____
Architect: _____
Date: _____
For: ___ Reference ___ Approval ___ Review ___ Construction

FEATURES

- Two-pipe heat pump
- Accelerated complete coil defrost
- Hinged electrical box for ease of maintenance
- High efficiency DC Inverter Scroll compressor
- Intelligent duty cycle operation
- Night Silent operation

PRODUCT WARRANTY

Compressor - Three year limited warranty
 All other components - one year limited warranty

SPECIFICATIONS

PERFORMANCE

Cooling Capacity* (Btu/h)	114,302
EER (W/W)	3.98
Heating Capacity* (Btu/h)	127,950
COP (W/W)	4.17

ELECTRICAL DATA

Power Supply	220-240V/3Ph/50Hz - 208-230V/3Ph/60Hz
MOP (A)	60
MCA (A)	43
No. of Compressors	1
No. of Fans	2

GENERAL DATA

Combination Ratio Indoor / Outdoor	50% to 130%
Max. # of Indoor Units	19 units
Sound Pressure Level (dBA)	63
Refrigerant Type	R410a
Factory Refrigerant Charge (oz)	289.2

DIMENSIONS

Unit Dimensions (in)	Height	63 1/4
	Width	52 3/4
	Depth	30 1/8
Liquid Pipe Connection (in)		1/2
Gas Pipe Connection (in)		1
Shipping Weight (lb)		661.5
Net Weight (lb)		628.4



NOTES:

*Cooling and Heating Capacity data is rated at the following conditions:

Cooling: 80 °F DB / 67 °F WB Indoor, 95 °F DB Outdoor

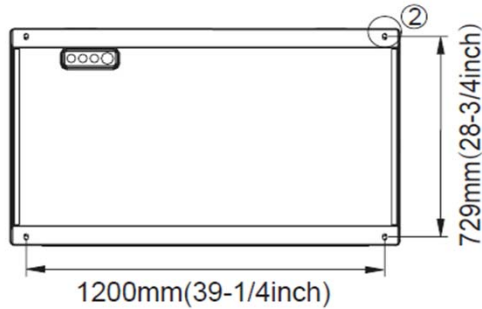
Heating: 70 °F DB Indoor, 47 °F DB

NOTE – Due to Lennox' ongoing commitment to quality, Specifications, Ratings and Dimensions subject to change without notice and without incurring liability. Improper installation, adjustment, alteration, service or maintenance can cause property damage or personal injury. Installation and service must be performed by a qualified installer and servicing agency. ©2014 Lennox Industries Inc.

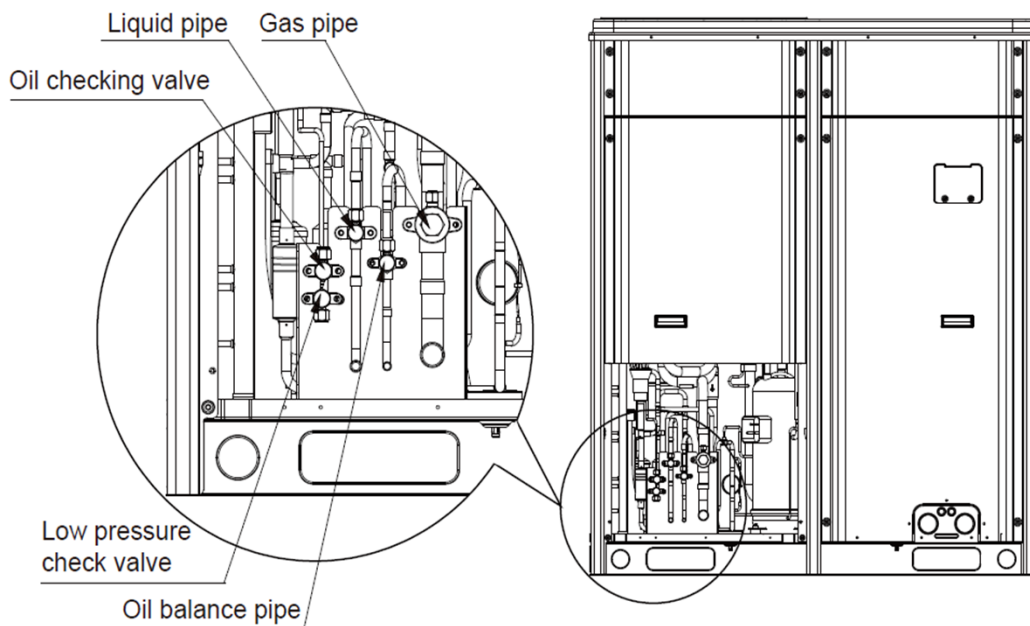
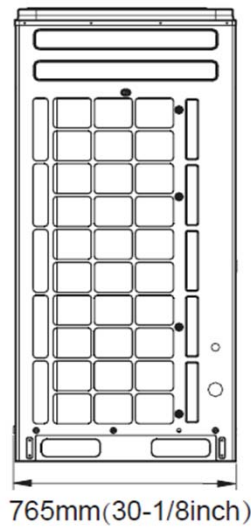
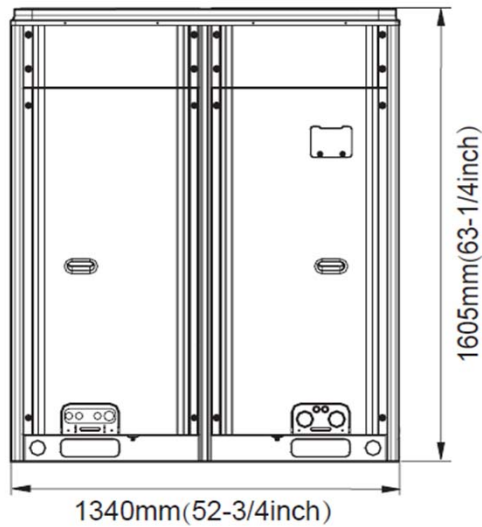
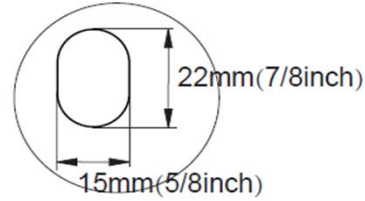


SUBMITTAL DATA - OUTDOOR UNIT
VEP120N432K
VRF HEAT PUMP

DIMENSIONAL DRAWINGS



② Installation hole



NOTE – Due to Lennox' ongoing commitment to quality, Specifications, Ratings and Dimensions subject to change without notice and without incurring liability. Improper installation, adjustment, alteration, service or maintenance can cause property damage or personal injury. Installation and service must be performed by a qualified installer and servicing agency. ©2014 Lennox Industries Inc.



SUBMITTAL DATA - OUTDOOR UNIT
VEP132N432K
VRF HEAT PUMP

Job Name: _____
Location: _____
Schedule No.: _____
System Designation: _____

Engineer: _____
Architect: _____
Date: _____
For: ___ Reference ___ Approval ___ Review ___ Construction

FEATURES

- Two-pipe heat pump
- Accelerated complete coil defrost
- Hinged electrical box for ease of maintenance
- High efficiency DC Inverter Scroll compressor
- Intelligent duty cycle operation
- Night Silent operation

PRODUCT WARRANTY

Compressor - Three year limited warranty
 All other components - one year limited warranty

SPECIFICATIONS

PERFORMANCE

Cooling Capacity* (Btu/h)	136,480
EER (W/W)	3.76
Heating Capacity* (Btu/h)	153,540
COP (W/W)	4.05

ELECTRICAL DATA

Power Supply	220-240V/3Ph/50Hz - 208-230V/3Ph/60Hz
MOP (A)	80
MCA (A)	60
No. of Compressors	2
No. of Fans	2

GENERAL DATA

Combination Ratio Indoor / Outdoor	50% to 130%
Max. # of Indoor Units	23 units
Sound Pressure Level (dBA)	63
Refrigerant Type	R410a
Factory Refrigerant Charge (oz)	345.7

DIMENSIONS

Unit Dimensions (in)	Height	63 1/4
	Width	52 3/4
	Depth	30 1/8
Liquid Pipe Connection (in)		1/2
Gas Pipe Connection (in)		1
Shipping Weight (lb)		826.9
Net Weight (lb)		793.8



NOTES:

*Cooling and Heating Capacity data is rated at the following conditions:

Cooling: 80 °F DB / 67 °F WB Indoor, 95 °F DB Outdoor

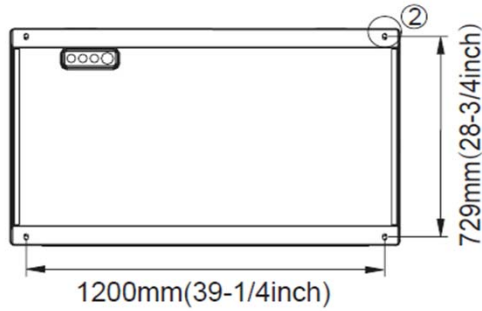
Heating: 70 °F DB Indoor, 47 °F DB

NOTE – Due to Lennox' ongoing commitment to quality, Specifications, Ratings and Dimensions subject to change without notice and without incurring liability. Improper installation, adjustment, alteration, service or maintenance can cause property damage or personal injury. Installation and service must be performed by a qualified installer and servicing agency. ©2014 Lennox Industries Inc.

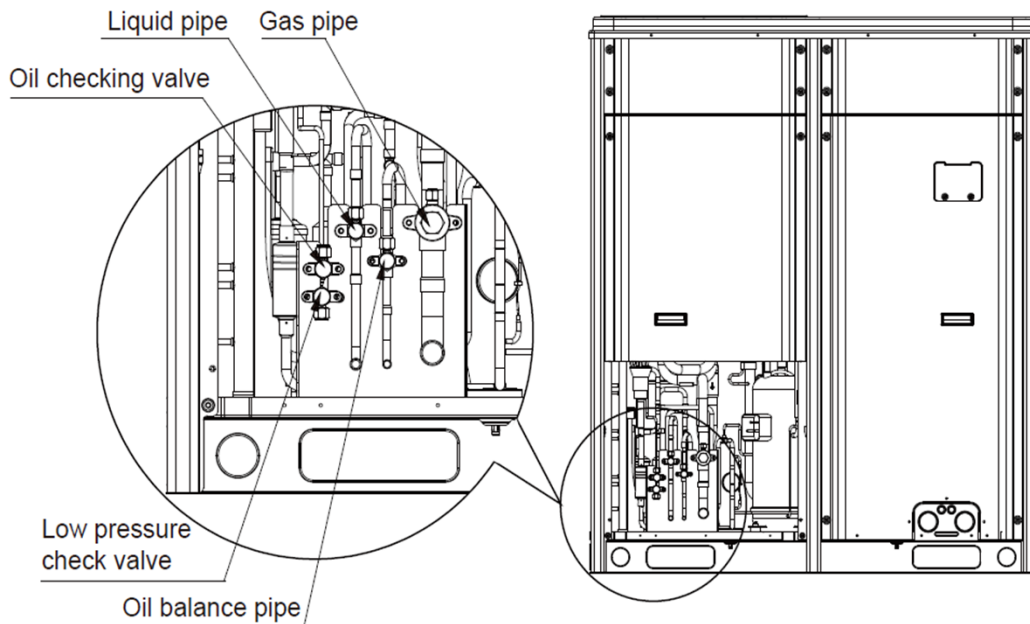
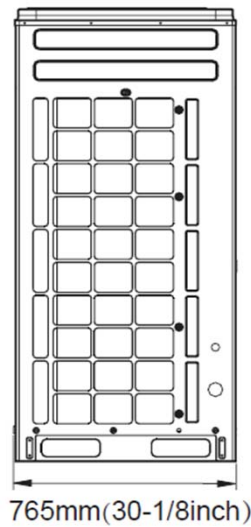
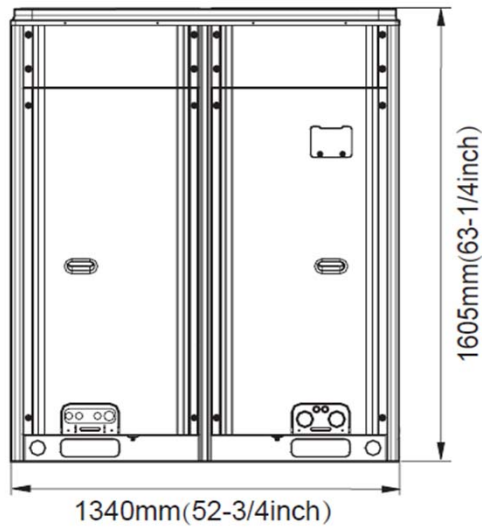
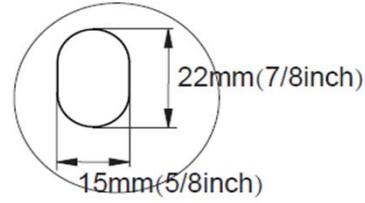


SUBMITTAL DATA - OUTDOOR UNIT
VEP132N432K
VRF HEAT PUMP

DIMENSIONAL DRAWINGS



② Installation hole



NOTE – Due to Lennox' ongoing commitment to quality, Specifications, Ratings and Dimensions subject to change without notice and without incurring liability. Improper installation, adjustment, alteration, service or maintenance can cause property damage or personal injury. Installation and service must be performed by a qualified installer and servicing agency. ©2014 Lennox Industries Inc.



SUBMITTAL DATA - OUTDOOR UNIT
VEP150N432K
VRF HEAT PUMP

Job Name: _____
Location: _____
Schedule No.: _____
System Designation: _____

Engineer: _____
Architect: _____
Date: _____
For: ___ Reference ___ Approval ___ Review ___ Construction

FEATURES

- Two-pipe heat pump
- Accelerated complete coil defrost
- Hinged electrical box for ease of maintenance
- High efficiency DC Inverter Scroll compressor
- Intelligent duty cycle operation
- Night Silent operation

PRODUCT WARRANTY

Compressor - Three year limited warranty
 All other components - one year limited warranty

SPECIFICATIONS

PERFORMANCE

Cooling Capacity* (Btu/h)	153,540
EER (W/W)	3.56
Heating Capacity* (Btu/h)	170,600
COP (W/W)	3.85

ELECTRICAL DATA

Power Supply	220-240V/3Ph/50Hz - 208-230V/3Ph/60Hz
MOP (A)	90
MCA (A)	65
No. of Compressors	2
No. of Fans	2

GENERAL DATA

Combination Ratio Indoor / Outdoor	50% to 130%
Max. # of Indoor Units	26 units
Sound Pressure Level (dBA)	63
Refrigerant Type	R410a
Factory Refrigerant Charge (oz)	363.4

DIMENSIONS

Unit Dimensions (in)	Height	63 1/4
	Width	52 3/4
	Depth	30 1/8
Liquid Pipe Connection (in)		1/2
Gas Pipe Connection (in)		1 1/8
Shipping Weight (lb)		826.9
Net Weight (lb)		793.8



NOTES:

*Cooling and Heating Capacity data is rated at the following conditions:

Cooling: 80 °F DB / 67 °F WB Indoor, 95 °F DB Outdoor

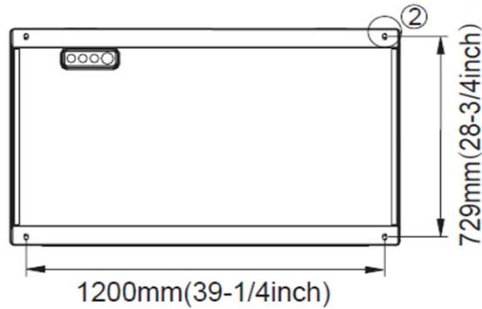
Heating: 70 °F DB Indoor, 47 °F DB

NOTE – Due to Lennox' ongoing commitment to quality, Specifications, Ratings and Dimensions subject to change without notice and without incurring liability. Improper installation, adjustment, alteration, service or maintenance can cause property damage or personal injury. Installation and service must be performed by a qualified installer and servicing agency. ©2014 Lennox Industries Inc.

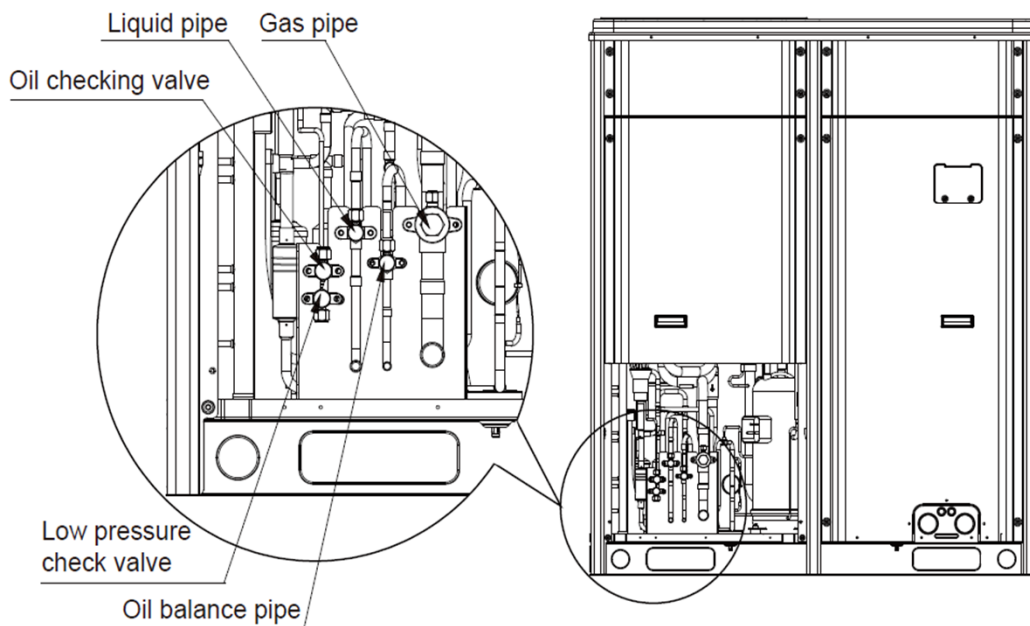
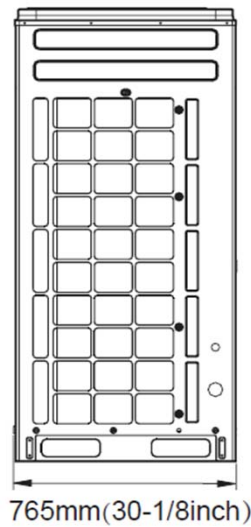
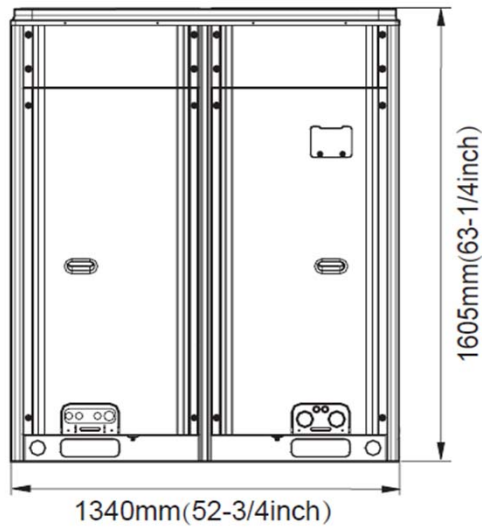
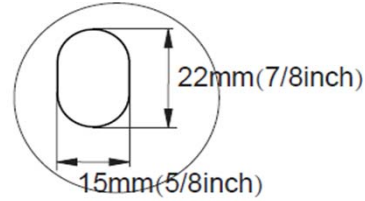


SUBMITTAL DATA - OUTDOOR UNIT
VEP150N432K
VRF HEAT PUMP

DIMENSIONAL DRAWINGS



② Installation hole



NOTE – Due to Lennox' ongoing commitment to quality, Specifications, Ratings and Dimensions subject to change without notice and without incurring liability. Improper installation, adjustment, alteration, service or maintenance can cause property damage or personal injury. Installation and service must be performed by a qualified installer and servicing agency. ©2014 Lennox Industries Inc.