



SUBMITTAL DATA - OUTDOOR UNIT
VEP132N432K
VRF HEAT PUMP

Job Name: _____
 Location: _____
 Schedule No.: _____
 System Designation: _____

Engineer: _____
 Architect: _____
 Date: _____
 For: ___ Reference ___ Approval ___ Review ___ Construction

FEATURES

- Two-pipe heat pump
- Accelerated complete coil defrost
- Hermetically sealed compressor with crankcase heater
- Thermal and Current protection in Compressor
- Steel casing with baked enameled finish Compressor
- Access to electrical box for ease of maintenance
- High efficiency DC Inverter Scroll compressor
- Compressor mounted on vibration isolation pads
- Subcooling Control Technology
- Plastic Fan Blade
- Intelligent duty cycle operation
- Hydrophilic Aluminum Gold Fin

PRODUCT WARRANTY

Compressor - Seven year limited warranty
 All other components - Five year limited warranty

SPECIFICATIONS

PERFORMANCE

Cooling Capacity* (Btu/h)		136,480
EER (W/W)		3.76
IEER (Btu/W)	Ducted	20.50
	Non ducted	22.00
Cooling Power Input (W)		10,638
Heating Capacity* (Btu/h)		153,540
COP (W/W)		4.05
Heating Power Input (W)		11,111

ELECTRICAL DATA

Power Supply	220-240V/3Ph/50Hz - 208-230V/3Ph/60Hz
MOCP (A)	80
MCA (A)	60
No. of Compressors	2
No. of Fans	2

GENERAL DATA

Combination Ratio Indoor / Outdoor	50% to 135%
Max. # of Indoor Units	23 units
Sound Pressure Level (dBA)	63
Refrigerant Type	R410a
Factory Refrigerant Charge (oz)	345.7

DIMENSIONS

Unit Dimensions (in)	Height	63 1/4
	Width	52 3/4
	Depth	30 1/8
Liquid Pipe Connection (in)		1/2
Gas Pipe Connection (in)		1
Oil Balancing Pipe (in)		3/8
Shipping Weight (lb)		826.9
Net Weight (lb)		793.8



NOTES:

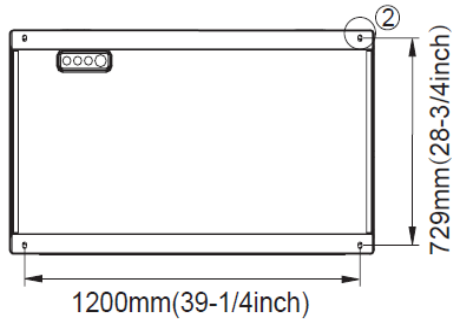
*Cooling and Heating Capacity data is rated at the following conditions:
 Cooling: 80 °F DB / 67 °F WB Indoor; 95 °F DB / 75 °F WB Outdoor
 Heating: 70 °F DB, 70 °F WB Indoor; 47 °F DB, 43 °F WB Outdoor

NOTE – Due to Lennox’ ongoing commitment to quality, Specifications, Ratings and Dimensions subject to change without notice and without incurring liability. Improper installation, adjustment, alteration, service or maintenance can cause property damage or personal injury. Installation and service must be performed by a qualified installer and servicing agency. ©2020 Lennox Industries Inc.

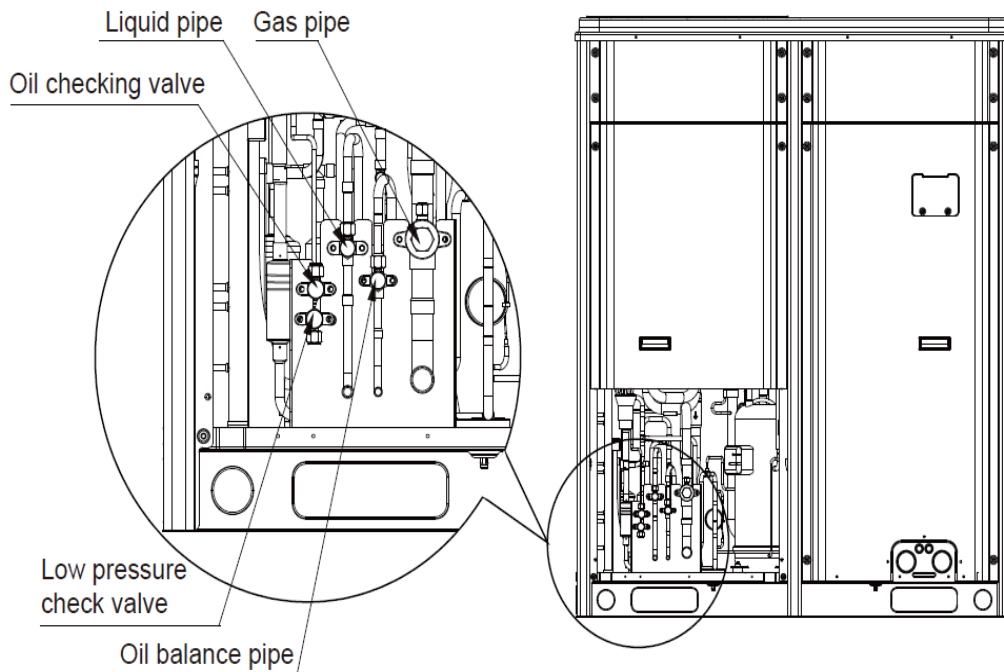
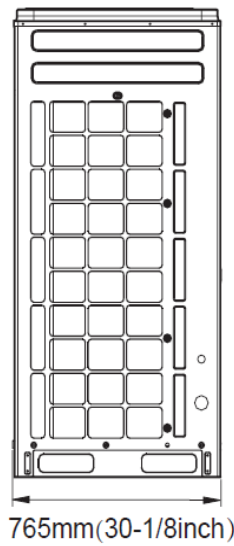
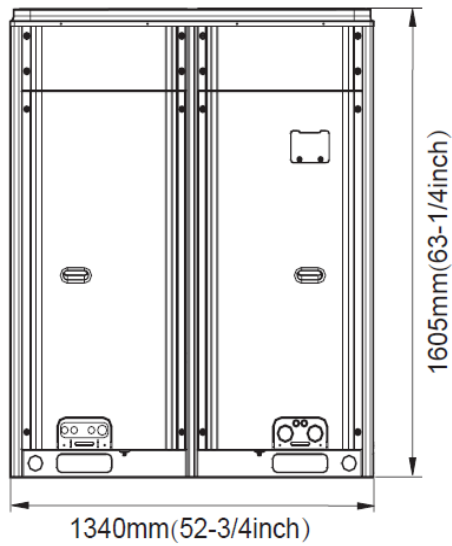
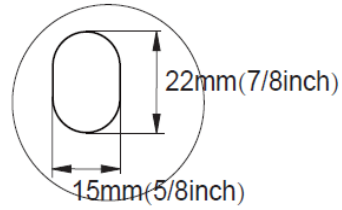


SUBMITTAL DATA - OUTDOOR UNIT
VEP132N432K
VRF HEAT PUMP

DIMENSIONAL DRAWINGS



② Installation hole



NOTE – Due to Lennox' ongoing commitment to quality, Specifications, Ratings and Dimensions subject to change without notice and without incurring liability. Improper installation, adjustment, alteration, service or maintenance can cause property damage or personal injury. Installation and service must be performed by a qualified installer and servicing agency. ©2020 Lennox Industries Inc.