



**SUBMITTAL DATA - INDOOR UNIT**  
**VE8K015N432U**  
**VRF STD 8-WAY CASSETTE TYPE EVAPORATOR**  
**(360° Discharge)**

Job Name:  
 Location:  
 Schedule No.:  
 System Designation:

Engineer:  
 Architect:  
 Date:  
 For:     \_\_\_ Reference \_\_\_ Approval \_\_\_ Review \_\_\_ Construction

**FEATURES**

- Auto Addressing installation
- Auto Restart
- Replaceable Front Panel
- Integrated Condensate Pump
- Built-in Electronic Expansion Valve
- LED Display
- Washable Filter
- Water Overflow Protection
- Anti-Freezing Protection

**PRODUCT WARRANTY**

All covered components - Five year limited warranty

**SPECIFICATIONS**

**PERFORMANCE**

Cooling Capacity* (Btu/h)		15,355
Heating Capacity* (Btu/h)		17,061
Airflow (CFM)	High	471
	Medium	412
	Low	353

Sound Pressure Level (dBA)                    H / M / L    33/30/28

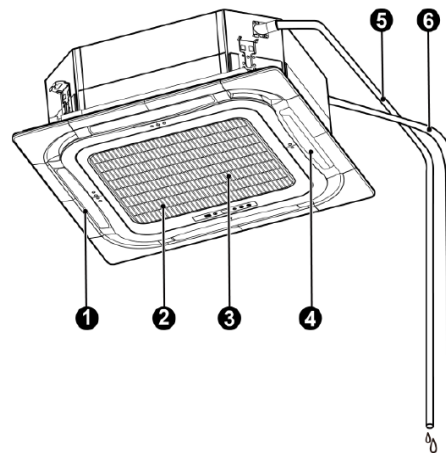
**ELECTRICAL DATA**

Power Supply (V / Hz / Ph)	220-240/50/1 - 208-230/60/1
MOP (A)	6
Rated Current (A)	Cooling    0.2
	Heating    0.2

**DIMENSIONS**

Unit Dimensions (in)	Height	9 1/2
	Width	33
	Depth	33

Liquid Pipe Connection (in)	1/2
Gas Pipe Connection (in)	1/4
Shipping Weight (lb)	77.2
Net Weight (lb)	59.5



1. Air Outlet
2. Air Filter
3. Grill
4. Louvers
5. Pipe fittings
6. Drain Pipe

**NOTES:**

\*Cooling and Heating Capacity data is rated at the following conditions:

Cooling: 80 °F DB / 67 °F WB Indoor, 95 °F DB Outdoor

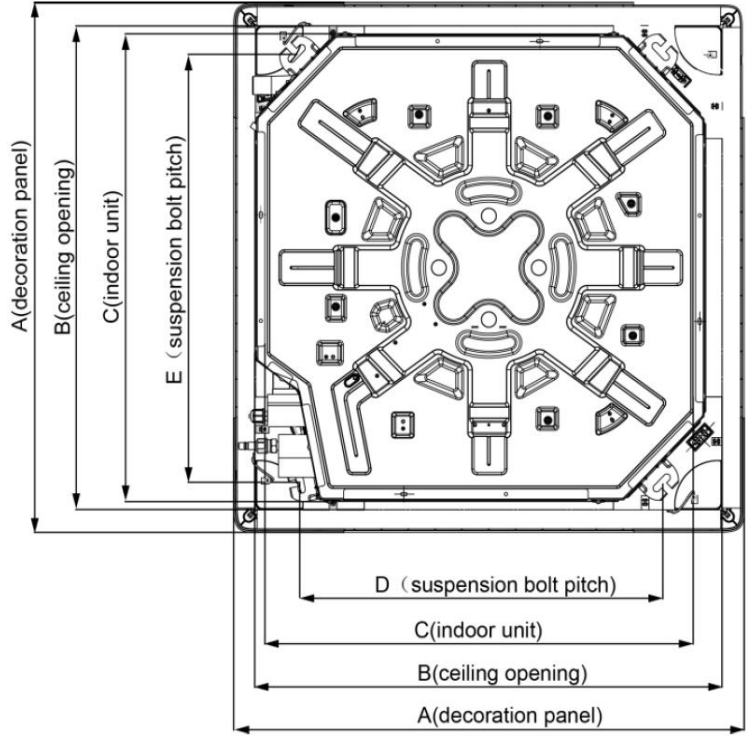
Heating: 70 °F DB Indoor, 47 °F DB

NOTE – Due to Lennox' ongoing commitment to quality, Specifications, Ratings and Dimensions subject to change without notice and without incurring liability. Improper installation, adjustment, alteration, service or maintenance can cause property damage or personal injury. Installation and service must be performed by a qualified installer and servicing agency. ©2020 Lennox Industries Inc.



**SUBMITTAL DATA - INDOOR UNIT**  
**VE8K015N432U**  
**VRF STD 8-WAY CASSETTE TYPE EVAPORATOR**

**DIMENSIONAL DRAWINGS**



	mm	in
<b>A</b>	950	37.40
<b>B</b>	890	35.04
<b>C</b>	840	33.07
<b>D</b>	680	26.77
<b>E</b>	780	30.71

NOTE – Due to Lennox' ongoing commitment to quality, Specifications, Ratings and Dimensions subject to change without notice and without incurring liability. Improper installation, adjustment, alteration, service or maintenance can cause property damage or personal injury. Installation and service must be performed by a qualified installer and servicing agency. ©2020 Lennox Industries Inc.