



SUBMITTAL DATA - INDOOR UNIT

VEOA076N432U

VRF DEDICATED OUTDOOR AIR PROCESING UNIT

Job Name: _____
 Location: _____
 Schedule No.: _____
 System Designation: _____

Engineer: _____
 Architect: _____
 Date: _____
 For: ___ Reference ___ Approval ___ Review ___ Construction

FEATURES

- Auto Addressing installation
- Auto Restart
- Quiet Blower Motor
- Fan Motor Overload Protection
- Built-in Electronic Expansion Valve
- Washable Filter
- Water Overflow Protection
- Anti-Freezing Protection

PRODUCT WARRANTY

All covered components - one year limited warranty

SPECIFICATIONS

PERFORMANCE

Cooling Capacity* (Btu/h)	76,430
Heating Capacity* (Btu/h)	54,590
Airflow (CFM)	1,200

External Static Pressure	Pa	0 - 270
	in. WC	0- 1-1/16"
Sound Pressure Level (dBA)		50

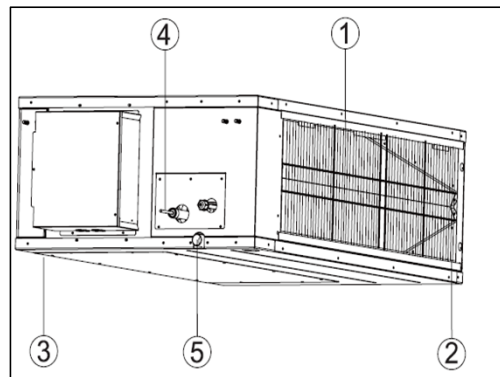
ELECTRICAL DATA

Power Supply (V / Ph / Hz)	220-240/1/50 - 208-230/1/60
MOP (A)	10
Rated Current (A)	Cooling 5
	Heating 5

DIMENSIONS

Unit Dimensions (in)	Height	15 1/5
	Width	58 1/4
	Depth	31 1/4

Liquid Pipe Connection (in)	3/8
Gas Pipe Connection (in)	3/4
Shipping Weight (lb)	229.3
Net Weight (lb)	180.8



1. Air Filter
2. Air Inlet
3. Air Outlet
4. Refrigerant Ports
5. Drain Pipe

NOTES:

*Cooling and Heating Capacity data is rated at the following conditions:

Cooling: 80 °F DB / 67 °F WB Indoor, 95 °F DB Outdoor

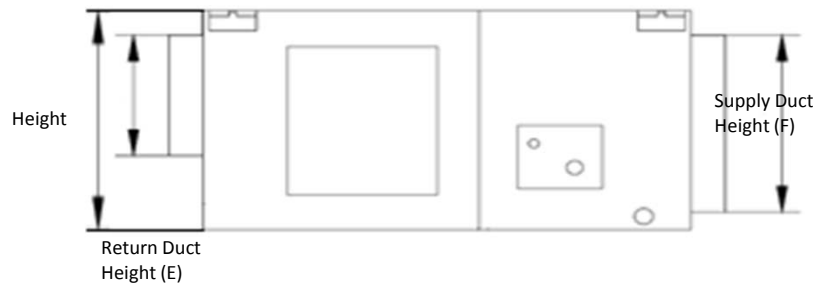
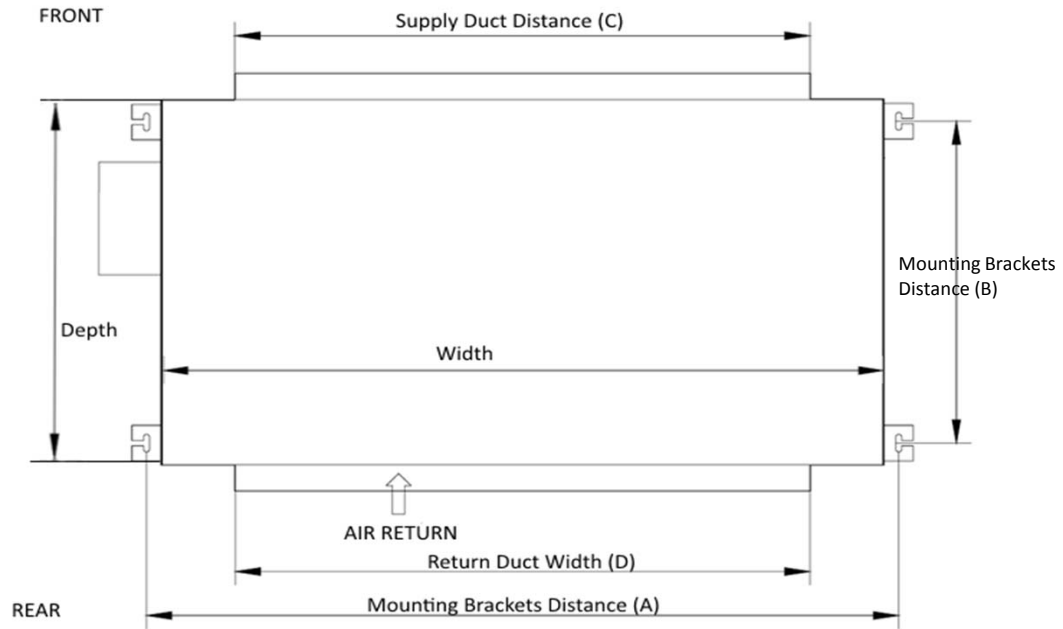
Heating: 70 °F DB Indoor, 47 °F DB

NOTE – Due to Lennox' ongoing commitment to quality, Specifications, Ratings and Dimensions subject to change without notice and without incurring liability. Improper installation, adjustment, alteration, service or maintenance can cause property damage or personal injury. Installation and service must be performed by a qualified installer and servicing agency. ©2017 Lennox Industries Inc.



SUBMITTAL DATA - INDOOR UNIT
VEOA076N432U
VRF DEDICATED OUTDOOR AIR PROCESING UNIT

DIMENSIONAL DRAWINGS



	mm	in
H	385	15.16
W	1483	58.39
D	385	15.16
A	1563	61.54
B	706	27.80
C	992	39.06
D	1350	53.15
E	192	7.56
F	402	15.83

NOTE – Due to Lennox' ongoing commitment to quality, Specifications, Ratings and Dimensions subject to change without notice and without incurring liability. Improper installation, adjustment, alteration, service or maintenance can cause property damage or personal injury. Installation and service must be performed by a qualified installer and servicing agency. ©2017 Lennox Industries Inc.