



**SUBMITTAL DATA – CASSETTE TYPE  
LISH042000N432 - LICH4042160U432  
3 PHASE INVERTER MINI-SPLIT HEAT PUMP**

Job: \_\_\_\_\_  
Location: \_\_\_\_\_  
Schedule No.: \_\_\_\_\_  
System Designation: \_\_\_\_\_

Engineer: \_\_\_\_\_  
Architect: \_\_\_\_\_  
Date: \_\_\_\_\_

**FEATURES**

Outdoor Unit: **LISH042000N432**  
Outdoor Unit Cat Number: **19V92**



- DC Inverter Compressor
- DC ODU Motor

Indoor Unit: **LICH4042160U432**  
Indoor Unit Cat Number: **19V73**



- Auto Restart
- 360° Airflow
- DC IDU Motor
- Easy Installation
- Washable Filter

**PIPING**

Line Set and Elevation Guidelines	
Maximum Line Set Length ft. (m)	213.2 ft. (65 m)
Maximum Elevation - Outdoor Unit Below/Above Indoor Unit ft. (m)	98.4 ft. (30 m)
Liquid Line Set Diameter (in.)	3/8"
Gas Line Set Diameter (in.)	5/8"

**PRODUCT WARRANTY**

5 Year Limited Warranty\*

**OPTIONAL ACCESORIES**

Wired Control (20U46, XK117)

WIFI Module (20U43, ME31-00/C4)



**NOTE** – Due to Lennox' ongoing commitment to quality, Specifications, Ratings, and Dimensions are subject to change without notice and without incurring liability. Improper installation, adjustment, alteration, service or maintenance can cause property damage or personal injury. Installation and service must be performed by a qualified installer and servicing agency



**SUBMITTAL DATA – CASSETTE TYPE**  
**LISH042000N432 - LICH4042160U432**  
**3 PHASE INVERTER MINI-SPLIT HEAT PUMP**

**OUTDOOR SPECIFICATIONS**

**PERFORMANCE**

Cooling Capacity (Btu/h)	41,000
EER(W/W)	2.67
SEER(BTUH/W)	16
Heating Capacity (Btu/h)	47,800
HSPF	9

Outdoor Fan Total Air Volume (CFM)	3,472
Ambient Temperature Operating Range	
Cooling	5°F(-15°C) - 118°F(48°C)
Heating	5°F(-15°C) - 75°F(24°C)

**ELECTRICAL DATA**

Power Supply (V/Hz/ϕ)	380-415-50/60-3
Minimum Circuit Ampacity (A)	/
Maximum Overcurrent Protection (A)	/
Outdoor Fan Motor FLA (A)	1.38
Compressor RLA (A)	7.3
No. of Compressors	1

**GENERAL DATA**

Connection Ratio (%)	100%
Max. # of Indoor Units	1
Sound Data (dBA) - Cooling/Heating	58
Refrigerant type	R-410A
Factory refrigerant charge	7.48 lbs. 119.7 oz.

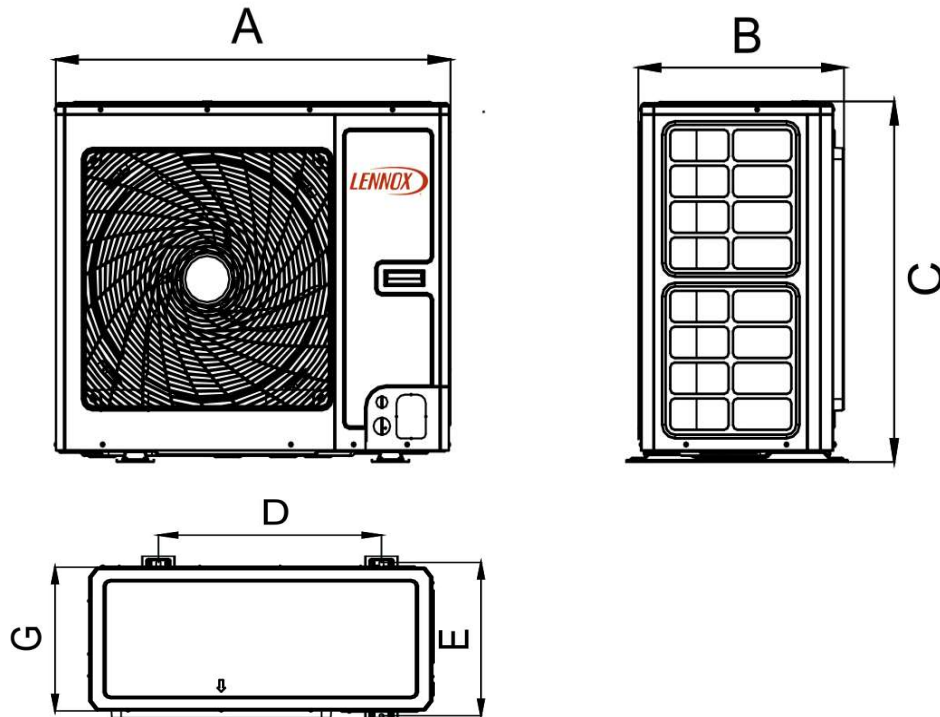
**DIMENSIONS**

Unit Dimensions (in)	Height	32.3
	Width	37.0
	Depth	18.1
Shipping Weight (lb)		224.9
Net Weight (lb)		198.5

**NOTES**

Cooling and Heating Capacity data is rated at the following conditions:  
Cooling: 80°FDB / 67°FWB Indoor, 95°FDB/ 75°FWB Outdoor  
Heating: 68°FDB / 59°FWB Indoor, 45°FDB/ 43°FWB Outdoor

**OUTDOOR DIMENSIONAL DRAWINGS - INCHES (MM)**



ODU	UNIT	A	B	C	D	E	G
42K/48K/60K	mm	940	530	820	610	486	460
	inch	37.0	20.9	32.3	24.0	19.1	18.1

**NOTE** – Due to Lennox' ongoing commitment to quality, Specifications, Ratings, and Dimensions are subject to change without notice and without incurring liability. Improper installation, adjustment, alteration, service or maintenance can cause property damage or personal injury. Installation and service must be performed by a qualified installer and servicing agency



**SUBMITTAL DATA – CASSETTE TYPE  
LISH042000N432 - LICH4042160U432  
3 PHASE INVERTER MINI-SPLIT HEAT PUMP**

**INDOOR SPECIFICATIONS**

**PERFORMANCE**

Airflow (CFM)	Turbo	883
	High	853
	Medium	795
	Low	706
External Static Pressure (in. w.g.)		-
Sound Pressure (dBA)	Turbo	50
	High	48
	Medium	46
	Low	42

**ELECTRICAL DATA**

Power Supply (V/Hz/φ)	220-240-50/60-1
Full load amps (FLA)	.44
Power Output (W)	35

**DIMENSIONS**

Unit Dimensions (in)	Height	9.4
	Width	33.1
	Depth	33.1
Unit Net/Shipping Weight (lb)		68.4/83.8

**WIRELESS REMOTE CONTROLLER SPECIFICATION**

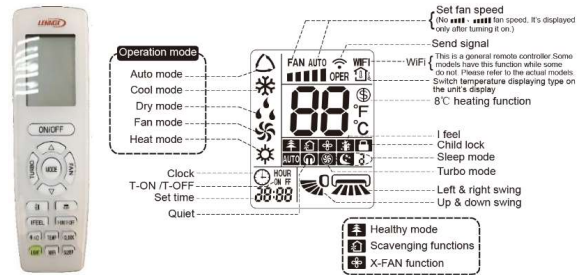
**20U45 (YAP1F6)**

Power Supply	2 AAA Batteries (Included)
--------------	-------------------------------

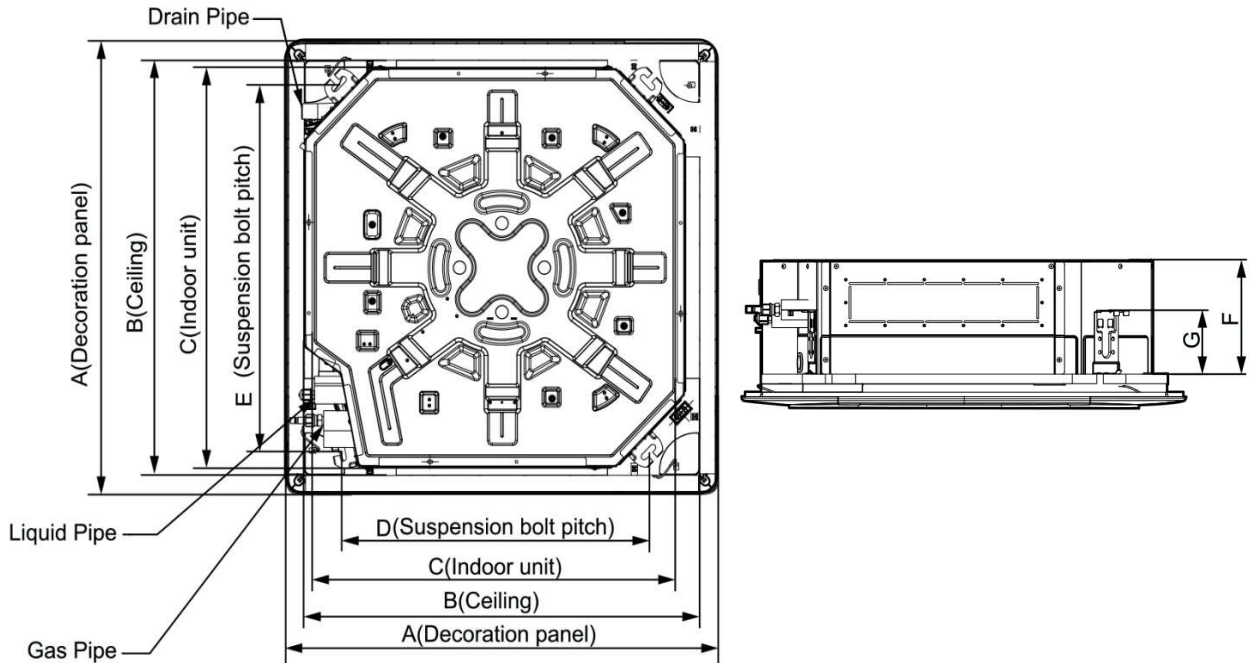
Setpoint Range	61°F(16°C) - 86°F(30°C)
----------------	-------------------------

Effective Receiving Range	26 ft.(8m)
---------------------------	------------

**DISPLAY**



**INDOOR DIMENSIONAL DRAWINGS - INCHES (MM)**



IDU	UNIT	A	B	C	D	E	F	G
36K/42K	mm	950	870	840	680	780	240	135
	inch	37.4	34.3	33.1	26.8	30.7	9.4	5.3

**NOTE** – Due to Lennox' ongoing commitment to quality, Specifications, Ratings, and Dimensions are subject to change without notice and without incurring liability. Improper installation, adjustment, alteration, service or maintenance can cause property damage or personal injury. Installation and service must be performed by a qualified installer and servicing agency