



**SUBMITTAL DATA – CASSETTE TYPE
LISH048000N432 - LICH4048160U432
3 PHASE INVERTER MINI-SPLIT HEAT PUMP**

Job: _____
Location: _____
Schedule No.: _____
System Designation: _____

Engineer: _____
Architect: _____
Date: _____

FEATURES

Outdoor Unit: **LISH048000N432**
Outdoor Unit Cat Number: **19V93**



- DC Inverter Compressor
- DC ODU Motor

Indoor Unit: **LICH4048160U432**
Indoor Unit Cat Number: **19V74**



- Auto Restart
- 360° Airflow
- DC IDU Motor
- Easy Installation
- Washable Filter

PIPING

Line Set and Elevation Guidelines	
Maximum Line Set Length ft. (m)	246 ft. (75 m)
Maximum Elevation - Outdoor Unit Below/Above Indoor Unit ft. (m)	98.4 ft. (30 m)
Liquid Line Set Diameter (in.)	3/8"
Gas Line Set Diameter (in.)	5/8"

PRODUCT WARRANTY

5 Year Limited Warranty*

OPTIONAL ACCESORIES

Wired Control (20U46, XK117)

WIFI Module (20U43, ME31-00/C4)



NOTE – Due to Lennox' ongoing commitment to quality, Specifications, Ratings, and Dimensions are subject to change without notice and without incurring liability. Improper installation, adjustment, alteration, service or maintenance can cause property damage or personal injury. Installation and service must be performed by a qualified installer and servicing agency



**SUBMITTAL DATA – CASSETTE TYPE
LISH048000N432 - LICH4048160U432
3 PHASE INVERTER MINI-SPLIT HEAT PUMP**

OUTDOOR SPECIFICATIONS

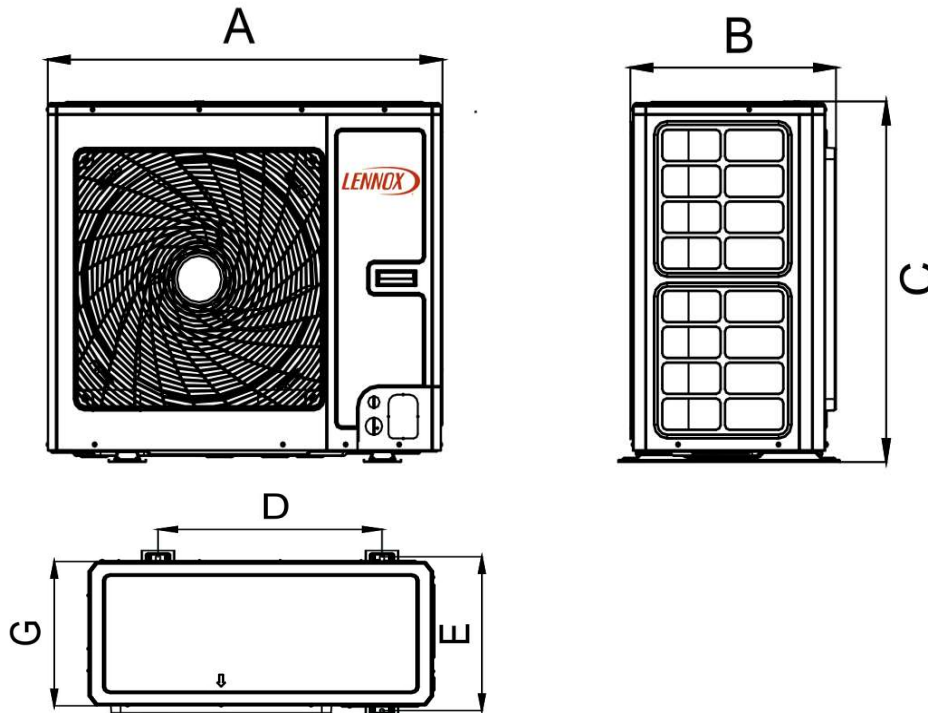
PERFORMANCE	
Cooling Capacity (Btu/h)	47,800
EER(W/W)	2.8
SEER(BTUH/W)	16
Heating Capacity (Btu/h)	51,200
HSPF	9
Outdoor Fan Total Air Volume (CFM)	3,472
Ambient Temperature Operating Range	
Cooling	5°F(-15°C) - 118°F(48°C)
Heating	5°F(-15°C) - 75°F(24°C)
ELECTRICAL DATA	
Power Supply (V/Hz/ϕ)	380-415-50/60-3
Minimum Circuit Ampacity (A)	/
Maximum Overcurrent Protection (A)	/
Outdoor Fan Motor FLA (A)	1.38
Compressor RLA (A)	8
No. of Compressors	1

GENERAL DATA	
Connection Ratio (%)	100%
Max. # of Indoor Units	1
Sound Data (dBA) - Cooling/Heating	59
Refrigerant type	R-410A
Factory refrigerant charge	8.14 lbs. 130.2 oz.

DIMENSIONS		
Unit Dimensions (in)	Height	32.3
	Width	37.0
	Depth	18.1
Shipping Weight (lb)		237.6
Net Weight (lb)		211.2

NOTES
Cooling and Heating Capacity data is rated at the following conditions:
Cooling: 80°FDB / 67°FWB Indoor, 95°FDB/ 75°FWB Outdoor
Heating: 68°FDB / 59°FWB Indoor, 45°FDB/ 43°FWB Outdoor

OUTDOOR DIMENSIONAL DRAWINGS - INCHES (MM)



ODU	UNIT	A	B	C	D	E	G
42K/48K/60K	mm	940	530	820	610	486	460
	inch	37.0	20.9	32.3	24.0	19.1	18.1

NOTE – Due to Lennox' ongoing commitment to quality, Specifications, Ratings, and Dimensions are subject to change without notice and without incurring liability. Improper installation, adjustment, alteration, service or maintenance can cause property damage or personal injury. Installation and service must be performed by a qualified installer and servicing agency



SUBMITTAL DATA – CASSETTE TYPE
LISH048000N432 - LICH4048160U432
3 PHASE INVERTER MINI-SPLIT HEAT PUMP

INDOOR SPECIFICATIONS

PERFORMANCE

Airflow (CFM)	Turbo	1059
	High	1000
	Medium	883
	Low	765
External Static Pressure (in. w.g.)		-
Sound Pressure (dBA)	Turbo	51
	High	49
	Medium	46
	Low	42

ELECTRICAL DATA

Power Supply (V/Hz/φ)	220-240-50/60-1
Full load amps (FLA)	.8
Power Output (W)	150

DIMENSIONS

Unit Dimensions (in)	Height	11.4
	Width	33.1
	Depth	33.1
Unit Net/Shipping Weight (lb)		72.6/90.2

WIRELESS REMOTE CONTROLLER SPECIFICATION

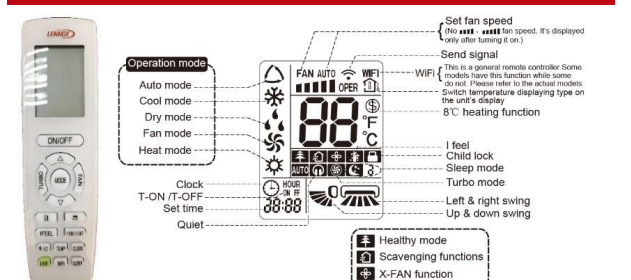
20U45 (YAP1F6)

Power Supply	2 AAA Batteries (Included)
--------------	----------------------------

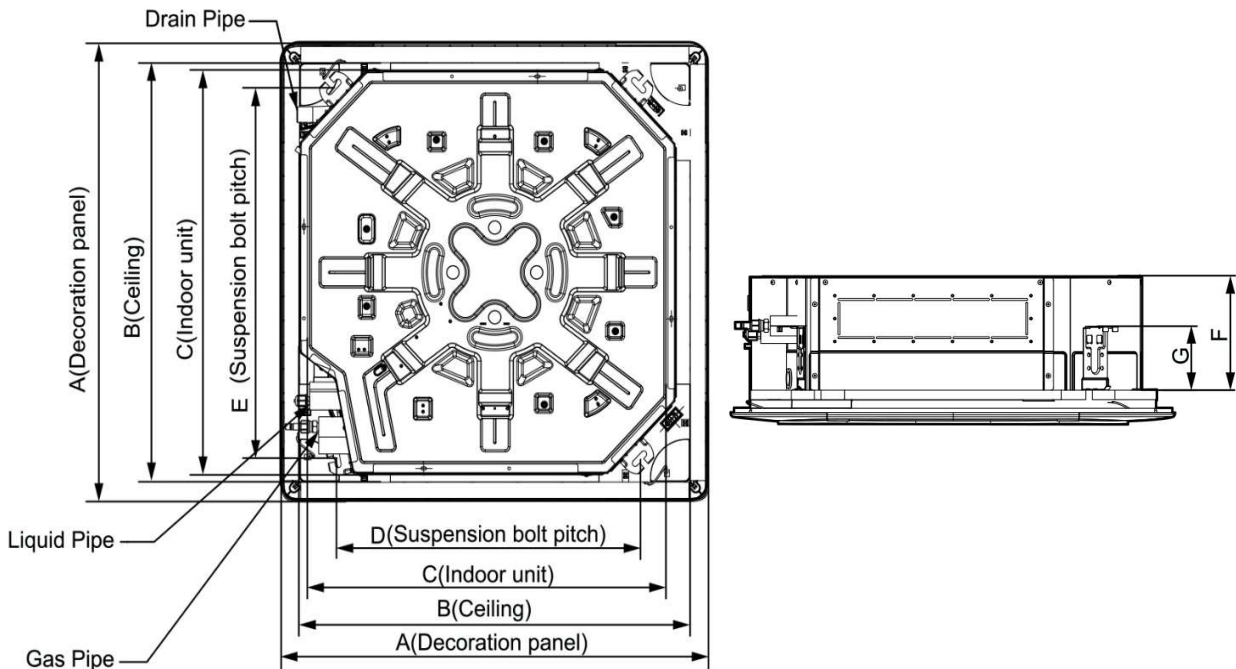
Setpoint Range	61°F(16°C) - 86°F(30°C)
----------------	-------------------------

Effective Receiving Range	26 ft.(8m)
---------------------------	------------

DISPLAY



INDOOR DIMENSIONAL DRAWINGS - INCHES (MM)



IDU	UNIT	A	B	C	D	E	F	G
48K/60K	mm	950	870	840	680	780	290	135
	inch	37.4	34.3	33.1	26.8	30.7	11.4	5.3

NOTE – Due to Lennox' ongoing commitment to quality, Specifications, Ratings, and Dimensions are subject to change without notice and without incurring liability. Improper installation, adjustment, alteration, service or maintenance can cause property damage or personal injury. Installation and service must be performed by a qualified installer and servicing agency