



**SUBMITTAL DATA – FAN COIL  
LISH018000U432 - LIFHC018160U432  
SINGLE ZONE INVERTER MINI-SPLIT HEAT PUMP**

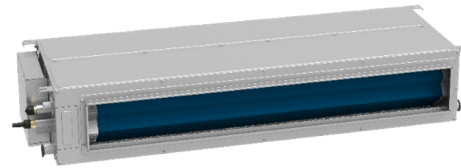
Job: \_\_\_\_\_  
Location: \_\_\_\_\_  
Schedule No.: \_\_\_\_\_  
System Designation: \_\_\_\_\_

Engineer: \_\_\_\_\_  
Architect: \_\_\_\_\_  
Date: \_\_\_\_\_

**FEATURES**

Outdoor Unit: **LISH018000U432**  
Outdoor Unit Cat Number: **19V86**

Indoor Unit: **LIFHC018160U432**  
Indoor Unit Cat Number: **19V79**



- DC Inverter Compressor
- DC ODU Motor

- Auto Restart
- Compact Design
- Easy Installation
- Wired Control Included
- Washable Filter Included
- Water Pump Included
- 9 Level Static pressure mode

**PIPING**

Line Set and Elevation Guidelines	
Maximum Line Set Length ft. (m)	114.8 ft. (35 m)
Maximum Elevation - Outdoor Unit Below/Above Indoor Unit ft. (m)	65.6 ft. (20 m)
Liquid Line Set Diameter (in.)	1/4"
Gas Line Set Diameter (in.)	1/2"

**PRODUCT WARRANTY**

5 Year Limited Warranty\*

**OPTIONAL ACCESORIES**

WiFi Module (20U44, ME31-00/C6)



**NOTE** – Due to Lennox’ ongoing commitment to quality, Specifications, Ratings, and Dimensions are subject to change without notice and without incurring liability. Improper installation, adjustment, alteration, service or maintenance can cause property damage or personal injury. Installation and service must be performed by a qualified installer and servicing agency



**SUBMITTAL DATA – FAN COIL**  
**LISH018000U432 - LIFHC018160U432**  
**SINGLE ZONE INVERTER MINI-SPLIT HEAT PUMP**

**OUTDOOR SPECIFICATIONS**

PERFORMANCE	
Cooling Capacity (Btu/h)	18,000
EER(W/W)	3.12
SEER(BTUH/W)	16
Heating Capacity (Btu/h)	19,700
HSPF	9
Outdoor Fan Total Air Volume (CFM)	1,766
Ambient Temperature Operating Range	
Cooling	5°F(-15°C) - 118°F(48°C)
Heating	5°F(-15°C) - 75°F(24°C)
ELECTRICAL DATA	
Power Supply (V/Hz/ϕ)	220-240-50/60-1
Minimum Circuit Ampacity (A)	/
Maximum Overcurrent Protection (A)	/
Outdoor Fan Motor FLA (A)	.49
Compressor RLA (A)	6.5
No. of Compressors	1

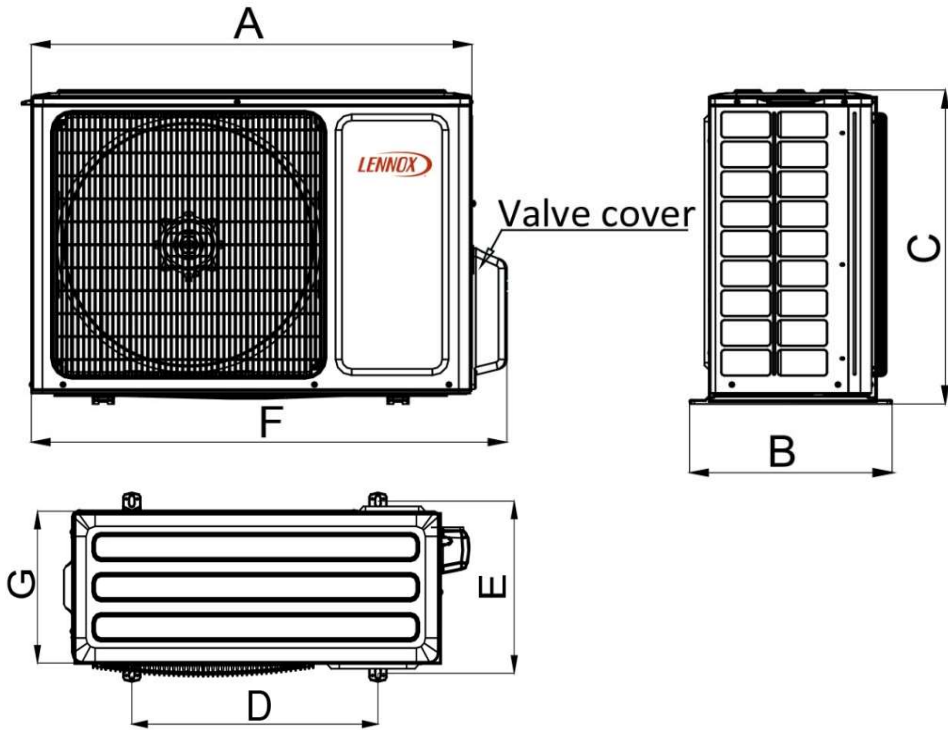
GENERAL DATA	
Connection Ratio (%)	100%
Max. # of Indoor Units	1
Sound Data (dBA) - Cooling/Heating	55
Refrigerant type	R-410A
Factory refrigerant charge	2.75 lbs. 44.1 oz.

DIMENSIONS		
Unit Dimensions (in)	Height	23.5
	Width	32.2
	Depth	11.9
Shipping Weight (lb)		97.0
Net Weight (lb)		90.4

**NOTES**

1. Cooling and Heating Capacity data is rated at the following conditions:  
Cooling: 80°FDB / 67°FWB Indoor, 95°FDB/ 75°FWB Outdoor  
Heating: 68°FDB / 59°FWB Indoor, 45°FDB/ 43°FWB Outdoor

**OUTDOOR DIMENSIONAL DRAWINGS - INCHES (MM)**



ODU	UNIT	A	B	C	D	E	F	G
12K/18K	mm	818	378	596	550	348	887	302
	inch	32.2	14.9	23.5	21.7	13.7	34.9	11.9

**NOTE** – Due to Lennox' ongoing commitment to quality, Specifications, Ratings, and Dimensions are subject to change without notice and without incurring liability. Improper installation, adjustment, alteration, service or maintenance can cause property damage or personal injury. Installation and service must be performed by a qualified installer and servicing agency



**SUBMITTAL DATA – FAN COIL  
LISH01800U432 - LIFHC018160U432  
SINGLE ZONE INVERTER MINI-SPLIT HEAT PUMP**

**INDOOR SPECIFICATIONS**

**PERFORMANCE**

Airflow (CFM)	Turbo	559
	High	518
	Medium	483
	Low	412
External Static Pressure (Pa)		25
Sound Pressure (dBA)	Turbo	40
	High	39
	Medium	37
	Low	35

**ELECTRICAL DATA**

Power Supply (V/Hz/ϕ)	220-240-50/60-1
Full load amps (FLA)	.63
Power Output (W)	80

**DIMENSIONS**

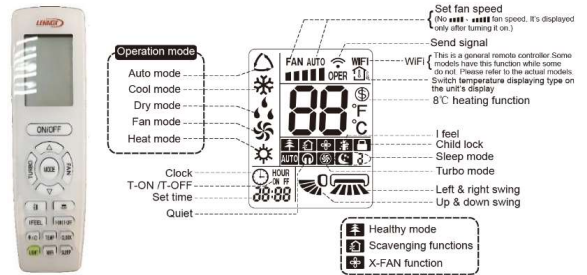
Unit Dimensions (in)	Height	7.9
	Width	39.4
	Depth	17.7
Unit Net/Shipping Weight (lb)		57.2/68.2

**WIRELESS REMOTE CONTROLLER SPECIFICATIONS**

**20U45 (YAP1F6)**

Power Supply	2 AAA Batteries (Included)
Setpoint Range	61°F(16°C) - 86°F(30°C)
Effective Receiving Range	26 ft.(8m)

**DISPLAY**

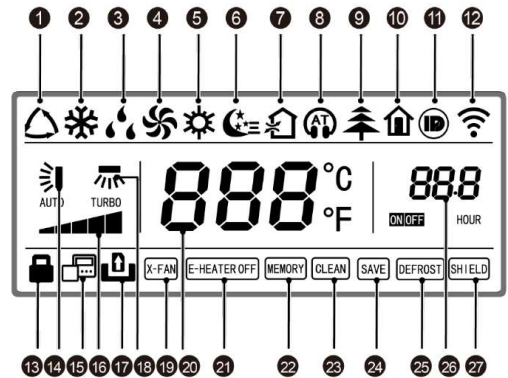


**WIRED CONTROLLER SPECIFICATIONS**

**20U46 (XK117)**

Power Supply	DC 12V, Supplied by IDU
Setpoint Range	61°F(16°C) - 86°F(30°C)
Effective Receiving Range	188 ft.(30m)

**DISPLAY**



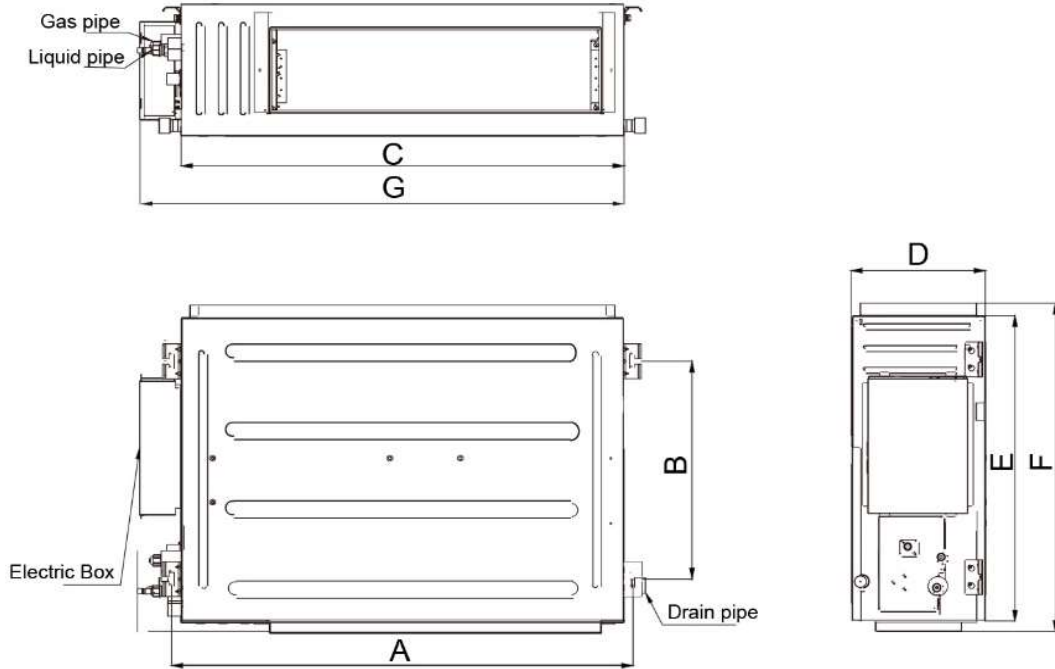
- |             |                            |                 |
|-------------|----------------------------|-----------------|
| 1. Auto     | 10. Absent                 | 19. X-fan       |
| 2. Cool     | 11. I-DEMAND               | 20. Temperature |
| 3. Dry      | 12. WIFI                   | 21. E-heater    |
| 4. Fan      | 13. Child-lock             | 22. Memory      |
| 5. Heat     | 14. Up & down swing        | 23. Clean       |
| 6. Sleep    | 15. Slave wired controller | 24. Save        |
| 7. Exchange | 16. Fan speed              | 25. Defrost     |
| 8. Silent   | 17. No card                | 26. Timer       |
| 9. Health   | 18. Left & right swing     | 27. Shield      |

**NOTE** – Due to Lennox' ongoing commitment to quality, Specifications, Ratings, and Dimensions are subject to change without notice and without incurring liability. Improper installation, adjustment, alteration, service or maintenance can cause property damage or personal injury. Installation and service must be performed by a qualified installer and servicing agency



**SUBMITTAL DATA – FAN COIL  
LISH018000U432 - LIFHC018160U432  
SINGLE ZONE INVERTER MINI-SPLIT HEAT PUMP**

**INDOOR DIMENSIONAL DRAWINGS - INCHES (MM)**



IDU	UNIT	A	B	C	D	E	F	G
18K	mm	1060	415	1000	200	450	474	1068
	inch	41.7	16.3	39.4	7.9	17.7	18.7	42.0

**NOTE** – Due to Lennox' ongoing commitment to quality, Specifications, Ratings, and Dimensions are subject to change without notice and without incurring liability. Improper installation, adjustment, alteration, service or maintenance can cause property damage or personal injury. Installation and service must be performed by a qualified installer and servicing agency