



**SUBMITTAL DATA – FAN COIL
LISH036000U432 - LIFHC036160U432
SINGLE ZONE INVERTER MINI-SPLIT HEAT PUMP**

Job: _____
Location: _____
Schedule No.: _____
System Designation: _____

Engineer: _____
Architect: _____
Date: _____

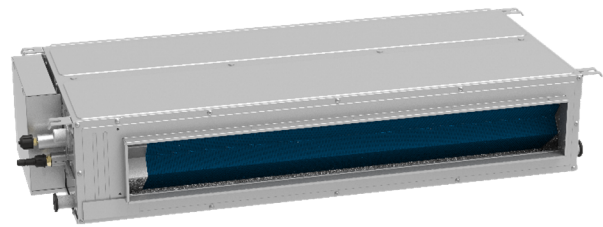
FEATURES

Outdoor Unit: **LISH036000U432**
Outdoor Unit Cat Number: **19V88**

Indoor Unit: **LIFHC036160U432**
Indoor Unit Cat Number: **19V81**



- DC Inverter Compressor
- DC ODU Motor



- Auto Restart
- Compact Design
- Easy Installation
- Wired Control Included
- Washable Filter Included
- Water Pump Included
- 9 Level Static pressure mode

PIPING

Line Set and Elevation Guidelines	
Maximum Line Set Length ft. (m)	164 ft. (50 m)
Maximum Elevation - Outdoor Unit Below/Above Indoor Unit ft. (m)	82 ft. (25 m)
Liquid Line Set Diameter (in.)	3/8"
Gas Line Set Diameter (in.)	5/8"

PRODUCT WARRANTY

5 Year Limited Warranty*

OPTIONAL ACCESORIES

WiFi Module (20U44, ME31-00/C6)



NOTE – Due to Lennox’ ongoing commitment to quality, Specifications, Ratings, and Dimensions are subject to change without notice and without incurring liability. Improper installation, adjustment, alteration, service or maintenance can cause property damage or personal injury. Installation and service must be performed by a qualified installer and servicing agency



SUBMITTAL DATA – FAN COIL
LISH036000U432 - LIFHC036160U432
SINGLE ZONE INVERTER MINI-SPLIT HEAT PUMP

OUTDOOR SPECIFICATIONS

PERFORMANCE	
Cooling Capacity (Btu/h)	34,500
EER(W/W)	2.97
SEER(BTUH/W)	16
Heating Capacity (Btu/h)	37,500
HSPF	9
Outdoor Fan Total Air Volume (CFM)	2,354
Ambient Temperature Operating Range	
Cooling	5°F(-15°C) - 118°F(48°C)
Heating	5°F(-15°C) - 75°F(24°C)
ELECTRICAL DATA	
Power Supply (V/Hz/ϕ)	220-240-50/60-1
Minimum Circuit Ampacity (A)	/
Maximum Overcurrent Protection (A)	/
Outdoor Fan Motor FLA (A)	.89
Compressor RLA (A)	11
No. of Compressors	1

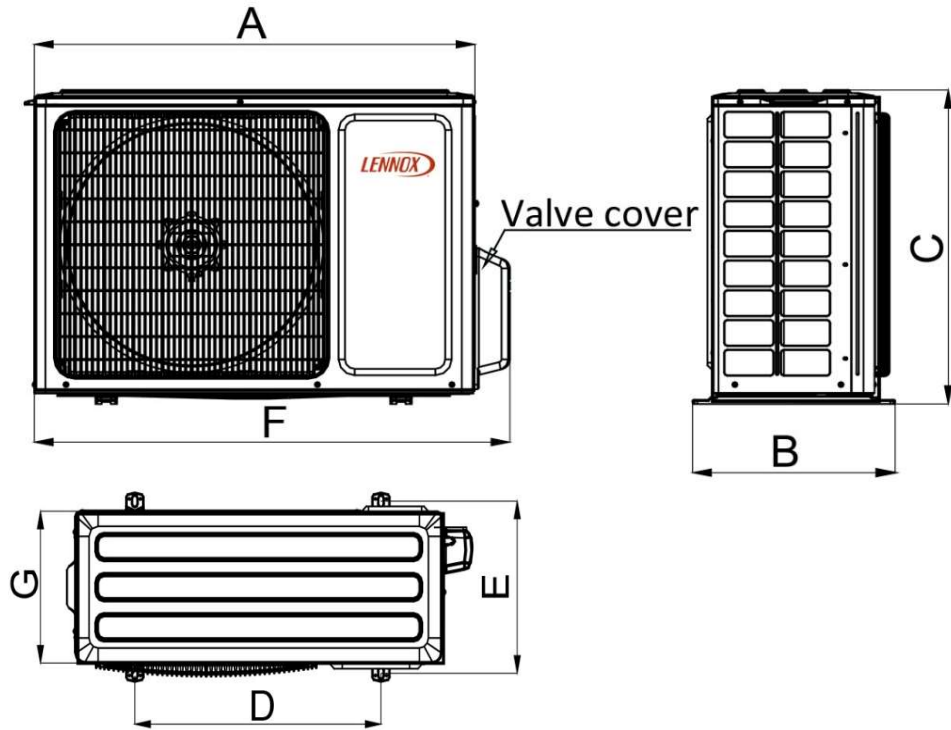
GENERAL DATA	
Connection Ratio (%)	100%
Max. # of Indoor Units	1
Sound Data (dBA) - Cooling/Heating	55
Refrigerant type	R-410A
Factory refrigerant charge	5.39 lbs. 86.24 oz.

DIMENSIONS		
Unit Dimensions (in)	Height	31.1
	Width	36.2
	Depth	14.6
Shipping Weight (lb)		145.2
Net Weight (lb)		134.2

NOTES

1. Cooling and Heating Capacity data is rated at the following conditions:
Cooling: 80°FDB / 67°FWB Indoor, 95°FDB/ 75°FWB Outdoor
Heating: 68°FDB / 59°FWB Indoor, 45°FDB/ 43°FWB Outdoor

OUTDOOR DIMENSIONAL DRAWINGS - INCHES (MM)



ODU↵	UNIT↵	A↵	B↵	C↵	D↵	E↵	F↵	G↵
36K↵	mm↵	920↵	427↵	790↵	610↵	395↵	1002↵	370↵
	inch↵	36.2↵	16.8↵	31.1↵	24.0↵	15.6↵	39.4↵	14.6↵

NOTE – Due to Lennox' ongoing commitment to quality, Specifications, Ratings, and Dimensions are subject to change without notice and without incurring liability. Improper installation, adjustment, alteration, service or maintenance can cause property damage or personal injury. Installation and service must be performed by a qualified installer and servicing agency



**SUBMITTAL DATA – FAN COIL
LISH03600U432 - LIFHC036160U432
SINGLE ZONE INVERTER MINI-SPLIT HEAT PUMP**

INDOOR SPECIFICATIONS

PERFORMANCE

Airflow (CFM)	Turbo	1059
	High	942
	Medium	824
	Low	706
External Static Pressure (Pa.)		37
Sound Pressure (dBA)	Turbo	43
	High	41
	Medium	39
	Low	37

ELECTRICAL DATA

Power Supply (V/Hz/ϕ)	220-240-50/60-1
Full load amps (FLA)	1.85
Power Output (W)	200

DIMENSIONS

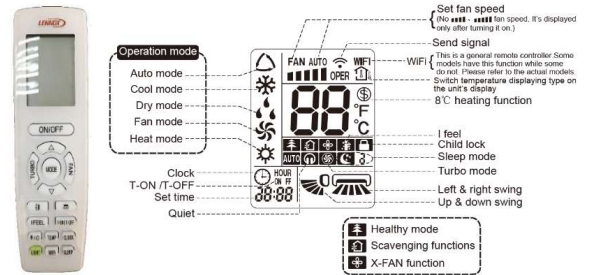
Unit Dimensions (in)	Height	11.8
	Width	39.4
	Depth	27.6
Unit Net/Shipping Weight (lb)		90.2/103.4

WIRELESS REMOTE CONTROLLER SPECIFICATIONS

20U45 (YAP1F6)

Power Supply	2 AAA Batteries (Included)
Setpoint Range	61°F(16°C) - 86°F(30°C)
Effective Receiving Range	26 ft.(8m)

DISPLAY

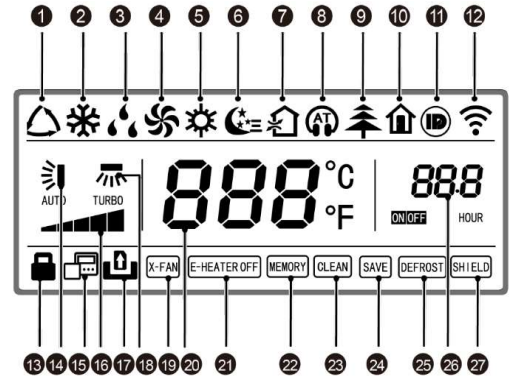


WIRED CONTROLLER SPECIFICATIONS

20U46 (XK117)

Power Supply	DC 12V, Supplied by IDU
Setpoint Range	61°F(16°C) - 86°F(30°C)
Effective Receiving Range	188 ft.(30m)

DISPLAY



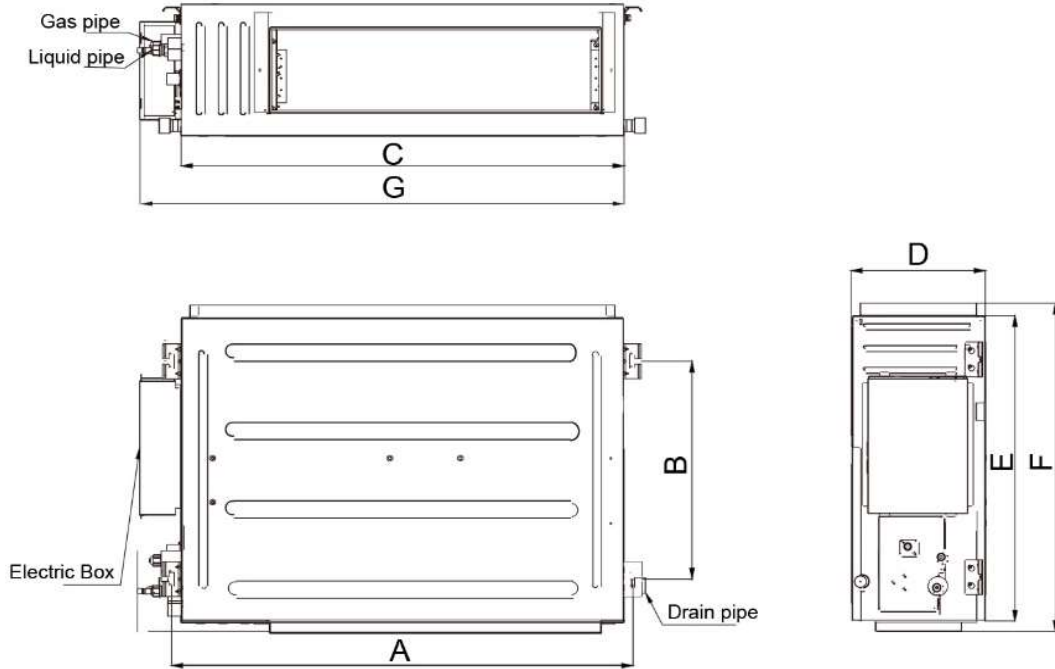
- | | | |
|-------------|----------------------------|-----------------|
| 1. Auto | 10. Absent | 19. X-fan |
| 2. Cool | 11. I-DEMAND | 20. Temperature |
| 3. Dry | 12. WIFI | 21. E-heater |
| 4. Fan | 13. Child-lock | 22. Memory |
| 5. Heat | 14. Up & down swing | 23. Clean |
| 6. Sleep | 15. Slave wired controller | 24. Save |
| 7. Exchange | 16. Fan speed | 25. Defrost |
| 8. Silent | 17. No card | 26. Timer |
| 9. Health | 18. Left & right swing | 27. Shield |

NOTE – Due to Lennox' ongoing commitment to quality, Specifications, Ratings, and Dimensions are subject to change without notice and without incurring liability. Improper installation, adjustment, alteration, service or maintenance can cause property damage or personal injury. Installation and service must be performed by a qualified installer and servicing agency



**SUBMITTAL DATA – FAN COIL
LISH036000U432 - LIFHC036160U432
SINGLE ZONE INVERTER MINI-SPLIT HEAT PUMP**

INDOOR DIMENSIONAL DRAWINGS - INCHES (MM)



IDU↵	UNIT↵	A↵	B↵	C↵	D↵	E↵	F↵	G↵
36K/42K↵	mm↵	1040↵	500↵	1000↵	300↵	700↵	754↵	1092↵
	inch↵	40.9↵	19.7↵	39.4↵	11.8↵	27.6↵	29.7↵	43.0↵

NOTE – Due to Lennox' ongoing commitment to quality, Specifications, Ratings, and Dimensions are subject to change without notice and without incurring liability. Improper installation, adjustment, alteration, service or maintenance can cause property damage or personal injury. Installation and service must be performed by a qualified installer and servicing agency