



**SUBMITTAL DATA – FAN COIL
LISH042000N432 - LIFHC042160U432
3 PHASE INVERTER MINI-SPLIT HEAT PUMP**

Job: _____
Location: _____
Schedule No.: _____
System Designation: _____

Engineer: _____
Architect: _____
Date: _____

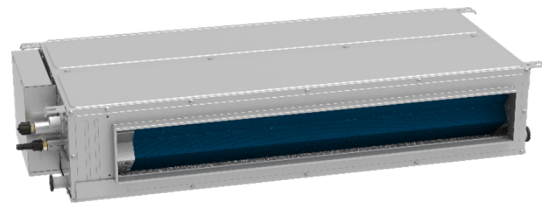
FEATURES

Outdoor Unit: **LISH042000N432**
Outdoor Unit Cat Number: **19V92**

Indoor Unit: **LIFHC042160U432**
Indoor Unit Cat Number: **19V82**



- DC Inverter Compressor
- DC ODU Motor



- Auto Restart
- Compact Design
- Easy Installation
- Wired Control Included
- Washable Filter Included
- Water Pump Included
- 9 Level Static pressure mode

PIPING

Line Set and Elevation Guidelines

Maximum Line Set Length ft. (m)	213.2 ft. (65 m)
Maximum Elevation - Outdoor Unit Below/Above Indoor Unit ft. (m)	98.4 ft. (30 m)
Liquid Line Set Diameter (in.)	3/8"
Gas Line Set Diameter (in.)	5/8"

PRODUCT WARRANTY

5 Year Limited Warranty*

OPTIONAL ACCESORIES

WiFi Module (20U44, ME31-00/C6)



NOTE – Due to Lennox' ongoing commitment to quality, Specifications, Ratings, and Dimensions are subject to change without notice and without incurring liability. Improper installation, adjustment, alteration, service or maintenance can cause property damage or personal injury. Installation and service must be performed by a qualified installer and servicing agency



SUBMITTAL DATA – FAN COIL
LISH042000N432 - LIFHC042160U432
3 PHASE INVERTER MINI-SPLIT HEAT PUMP

OUTDOOR SPECIFICATIONS

PERFORMANCE

Cooling Capacity (Btu/h)	41,000
EER(W/W)	2.67
SEER(BTUH/W)	16
Heating Capacity (Btu/h)	47,800
HSPF	9

Outdoor Fan Total Air Volume (CFM)	3,472
Ambient Temperature Operating Range	
Cooling	5°F(-15°C) - 118°F(48°C)
Heating	5°F(-15°C) - 75°F(24°C)

ELECTRICAL DATA

Power Supply (V/Hz/ϕ)	380-415-50/60-3
Minimum Circuit Ampacity (A)	/
Maximum Overcurrent Protection (A)	/
Outdoor Fan Motor FLA (A)	1.38
Compressor RLA (A)	7.3
No. of Compressors	1

GENERAL DATA

Connection Ratio (%)	100%
Max. # of Indoor Units	1
Sound Data (dBA) - Cooling/Heating	58
Refrigerant type	R-410A
Factory refrigerant charge	7.48 lbs. 119.7 oz.

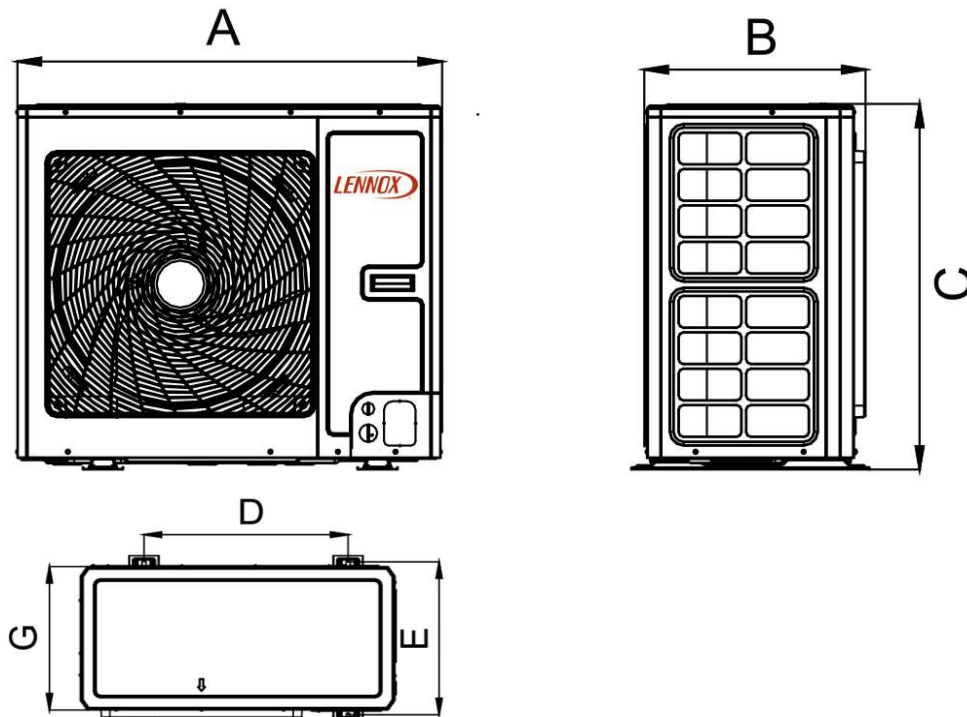
DIMENSIONS

Unit Dimensions (in)	Height	32.3
	Width	37.0
	Depth	18.1
Shipping Weight (lb)		224.4
Net Weight (lb)		198.5

NOTES

1. Cooling and Heating Capacity data is rated at the following conditions:
 Cooling: 80°FDB / 67°FWB Indoor, 95°FDB/ 75°FWB Outdoor
 Heating: 68°FDB / 59°FWB Indoor, 45°FDB/ 43°FWB Outdoor

OUTDOOR DIMENSIONAL DRAWINGS - INCHES (MM)



ODU	UNIT	A	B	C	D	E	G
42K/48K/60K	mm	940	530	820	610	486	460
	inch	37.0	20.9	32.3	24.0	19.1	18.1

NOTE – Due to Lennox' ongoing commitment to quality, Specifications, Ratings, and Dimensions are subject to change without notice and without incurring liability. Improper installation, adjustment, alteration, service or maintenance can cause property damage or personal injury. Installation and service must be performed by a qualified installer and servicing agency



**SUBMITTAL DATA – FAN COIL
LISH042000N432 - LIFHC042160U432
3 PHASE INVERTER MINI-SPLIT HEAT PUMP**

INDOOR SPECIFICATIONS

PERFORMANCE

Airflow (CFM)	Turbo	1177
	High	1000
	Medium	824
	Low	706
External Static Pressure (Pa)		50
Sound Pressure (dBA)	Turbo	44
	High	42
	Medium	39
	Low	37

ELECTRICAL DATA

Power Supply (V/Hz/ϕ)	220-240-50/60-1
Full load amps (FLA)	1.85
Power Output (W)	200

DIMENSIONS

Unit Dimensions (in)	Height	11.8
	Width	39.4
	Depth	27.6
Unit Net/Shipping Weight (lb)		90.2/103.4

WIRELESS REMOTE CONTROLLER SPECIFICATIONS

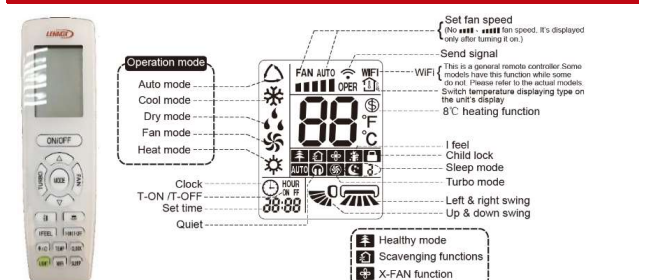
20U45 (YAP1F6)

Power Supply	2 AAA Batteries (Included)
--------------	----------------------------

Setpoint Range	61°F(16°C) - 86°F(30°C)
----------------	-------------------------

Effective Receiving Range	26 ft.(8m)
---------------------------	------------

DISPLAY

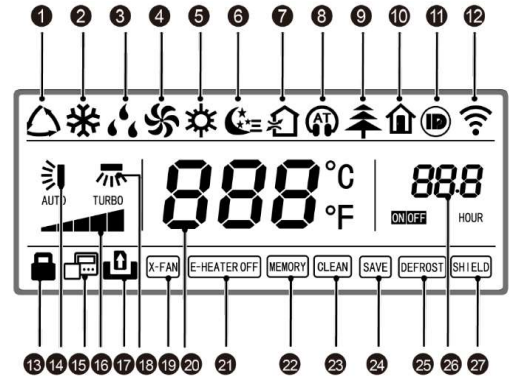


WIRED CONTROLLER SPECIFICATIONS

20U46 (XK117)

Power Supply	DC 12V, Supplied by IDU
Setpoint Range	61°F(16°C) - 86°F(30°C)
Effective Receiving Range	188 ft.(30m)

DISPLAY



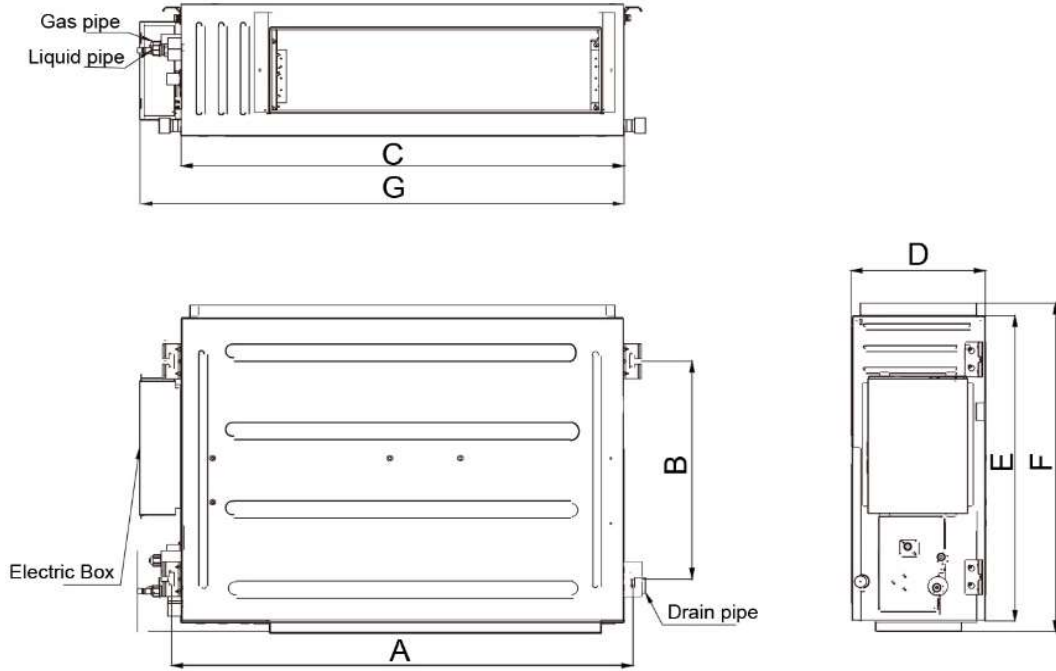
- | | | |
|-------------|----------------------------|-----------------|
| 1. Auto | 10. Absent | 19. X-fan |
| 2. Cool | 11. I-DEMAND | 20. Temperature |
| 3. Dry | 12. WIFI | 21. E-heater |
| 4. Fan | 13. Child-lock | 22. Memory |
| 5. Heat | 14. Up & down swing | 23. Clean |
| 6. Sleep | 15. Slave wired controller | 24. Save |
| 7. Exchange | 16. Fan speed | 25. Defrost |
| 8. Silent | 17. No card | 26. Timer |
| 9. Health | 18. Left & right swing | 27. Shield |

NOTE – Due to Lennox' ongoing commitment to quality, Specifications, Ratings, and Dimensions are subject to change without notice and without incurring liability. Improper installation, adjustment, alteration, service or maintenance can cause property damage or personal injury. Installation and service must be performed by a qualified installer and servicing agency



**SUBMITTAL DATA – FAN COIL
LISH042000N432 - LIFHC042160U432
3 PHASE INVERTER MINI-SPLIT HEAT PUMP**

INDOOR DIMENSIONAL DRAWINGS - INCHES (MM)



IDU	UNIT	A	B	C	D	E	F	G
36K/42K	mm	1040	500	1000	300	700	754	1092
	inch	40.9	19.7	39.4	11.8	27.6	29.7	43.0

NOTE – Due to Lennox' ongoing commitment to quality, Specifications, Ratings, and Dimensions are subject to change without notice and without incurring liability. Improper installation, adjustment, alteration, service or maintenance can cause property damage or personal injury. Installation and service must be performed by a qualified installer and servicing agency