



**SUBMITTAL DATA – FAN COIL  
LISH060000K432 - LIFHC060160U432  
SINGLE ZONE INVERTER MINI-SPLIT HEAT PUMP**

Job: \_\_\_\_\_  
Location: \_\_\_\_\_  
Schedule No.: \_\_\_\_\_  
System Designation: \_\_\_\_\_

Engineer: \_\_\_\_\_  
Architect: \_\_\_\_\_  
Date: \_\_\_\_\_

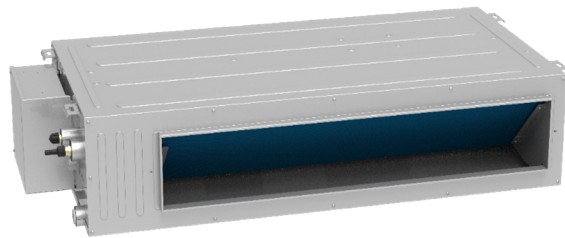
**FEATURES**

Outdoor Unit: **LISH060000K432**  
Outdoor Unit Cat Number: **19V91**



- DC Inverter Compressor
- DC ODU Motor

Indoor Unit: **LIFHC060160U432**  
Indoor Unit Cat Number: **19V84**



- Auto Restart
- Compact Design
- Easy Installation
- Wired Control Included
- Washable Filter Included
- Water Pump Included
- 9 Level Static pressure mode

**PIPING**

Line Set and Elevation Guidelines	
Maximum Line Set Length ft. (m)	229.6 ft. (75 m)
Maximum Elevation - Outdoor Unit Below/Above Indoor Unit ft. (m)	98.4 ft. (30 m)
Liquid Line Set Diameter (in.)	3/8"
Gas Line Set Diameter (in.)	5/8"

**PRODUCT WARRANTY**

5 Year Limited Warranty\*

**OPTIONAL ACCESORIES**

WiFi Module (20U44, ME31-00/C6)



**NOTE** – Due to Lennox' ongoing commitment to quality, Specifications, Ratings, and Dimensions are subject to change without notice and without incurring liability. Improper installation, adjustment, alteration, service or maintenance can cause property damage or personal injury. Installation and service must be performed by a qualified installer and servicing agency



**SUBMITTAL DATA – FAN COIL  
LISH060000K432 - LIFHC060160U432  
SINGLE ZONE INVERTER MINI-SPLIT HEAT PUMP**

**OUTDOOR SPECIFICATIONS**

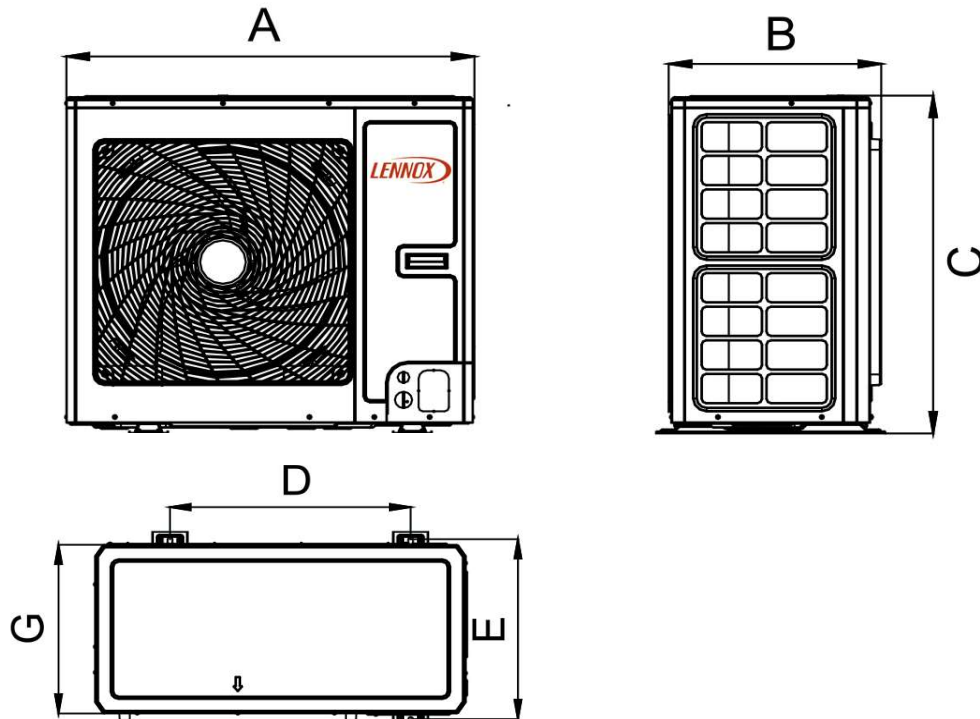
PERFORMANCE	
Cooling Capacity (Btu/h)	53,200
EER(W/W)	2.89
SEER(BTUH/W)	16
Heating Capacity (Btu/h)	58,000
HSPF	9
Outdoor Fan Total Air Volume (CFM)	3,472
Ambient Temperature Operating Range	
Cooling	5°F(-15°C) - 118°F(48°C)
Heating	5°F(-15°C) - 75°F(24°C)
ELECTRICAL DATA	
Power Supply (V/Hz/ϕ)	220-240-50/60-1
Minimum Circuit Ampacity (A)	/
Maximum Overcurrent Protection (A)	/
Outdoor Fan Motor FLA (A)	1.38
Compressor RLA (A)	19.7
No. of Compressors	1

GENERAL DATA	
Connection Ratio (%)	100%
Max. # of Indoor Units	1
Sound Data (dBA) - Cooling/Heating	60
Refrigerant type	R-410A
Factory refrigerant charge	8.38 lbs. 134.04 oz.

DIMENSIONS		
Unit Dimensions (in)	Height	32.3
	Width	37.0
	Depth	18.1
Shipping Weight (lb)		238.1
Net Weight (lb)		211.7

**NOTES**  
1. Cooling and Heating Capacity data is rated at the following conditions:  
Cooling: 80°FDB / 67°FWB Indoor, 95°FDB/ 75°FWB Outdoor  
Heating: 68°FDB / 59°FWB Indoor, 45°FDB/ 43°FWB Outdoor

**OUTDOOR DIMENSIONAL DRAWINGS - INCHES (MM)**



ODU	UNIT	A	B	C	D	E	G
42K/48K/60K	mm	940	530	820	610	486	460
	inch	37.0	20.9	32.3	24.0	19.1	18.1

**NOTE** – Due to Lennox' ongoing commitment to quality, Specifications, Ratings, and Dimensions are subject to change without notice and without incurring liability. Improper installation, adjustment, alteration, service or maintenance can cause property damage or personal injury. Installation and service must be performed by a qualified installer and servicing agency



**SUBMITTAL DATA – FAN COIL  
LISH06000K432 - LIFHC060160U432  
SINGLE ZONE INVERTER MINI-SPLIT HEAT PUMP**

**INDOOR SPECIFICATIONS**

**PERFORMANCE**

Airflow (CFM)	Turbo	1647
	High	1354
	Medium	1177
	Low	1000
External Static Pressure (Pa)		50
Sound Pressure (dBA)	Turbo	50
	High	45
	Medium	44
	Low	42

**ELECTRICAL DATA**

Power Supply (V/Hz/ϕ)	220-240-50/60-1
Full load amps (FLA)	2.64
Power Output (W)	550

**DIMENSIONS**

Unit Dimensions (in)	Height	11.8
	Width	55.1
	Depth	27.6
Unit Net/Shipping Weight (lb)		125.7/141.1

**WIRELESS REMOTE CONTROLLER SPECIFICATIONS**

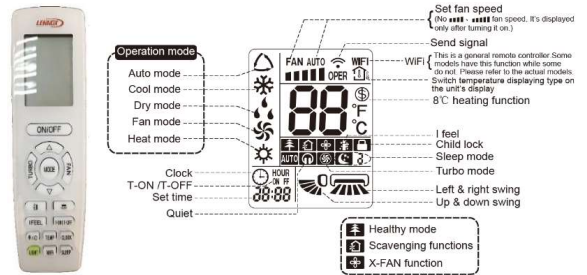
**20U45 (YAP1F6)**

Power Supply	2 AAA Batteries (Included)
--------------	----------------------------

Setpoint Range	61°F(16°C) - 86°F(30°C)
----------------	-------------------------

Effective Receiving Range	26 ft.(8m)
---------------------------	------------

**DISPLAY**

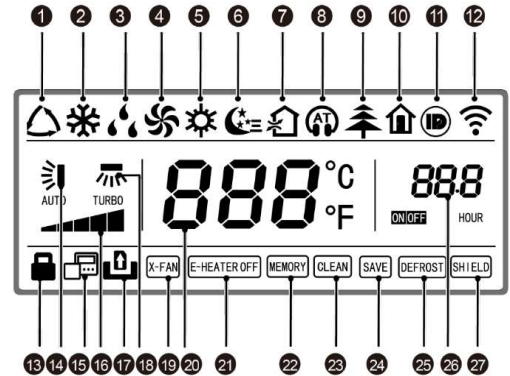


**WIRED CONTROLLER SPECIFICATIONS**

**20U46 (XK117)**

Power Supply	DC 12V, Supplied by IDU
Setpoint Range	61°F(16°C) - 86°F(30°C)
Effective Receiving Range	188 ft.(30m)

**DISPLAY**



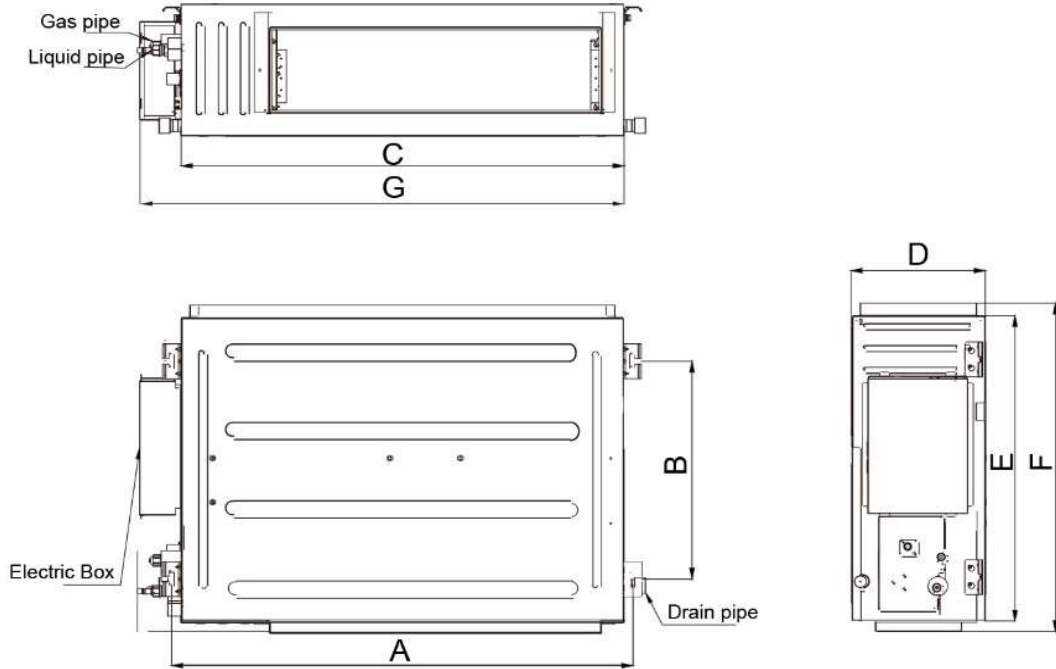
- |             |                            |                 |
|-------------|----------------------------|-----------------|
| 1. Auto     | 10. Absent                 | 19. X-fan       |
| 2. Cool     | 11. I-DEMAND               | 20. Temperature |
| 3. Dry      | 12. WiFi                   | 21. E-heater    |
| 4. Fan      | 13. Child-lock             | 22. Memory      |
| 5. Heat     | 14. Up & down swing        | 23. Clean       |
| 6. Sleep    | 15. Slave wired controller | 24. Save        |
| 7. Exchange | 16. Fan speed              | 25. Defrost     |
| 8. Silent   | 17. No card                | 26. Timer       |
| 9. Health   | 18. Left & right swing     | 27. Shield      |

**NOTE** – Due to Lennox' ongoing commitment to quality, Specifications, Ratings, and Dimensions are subject to change without notice and without incurring liability. Improper installation, adjustment, alteration, service or maintenance can cause property damage or personal injury. Installation and service must be performed by a qualified installer and servicing agency



**SUBMITTAL DATA – FAN COIL  
LISH060000K432 - LIFHC060160U432  
SINGLE ZONE INVERTER MINI-SPLIT HEAT PUMP**

**INDOOR DIMENSIONAL DRAWINGS - INCHES (MM)**



IDU	UNIT	A	B	C	D	E	F	G
60K	mm	1440	500	1400	300	700	754	1543
	inch	56.7	19.7	55.1	11.8	27.6	29.7	60.7

**NOTE** – Due to Lennox' ongoing commitment to quality, Specifications, Ratings, and Dimensions are subject to change without notice and without incurring liability. Improper installation, adjustment, alteration, service or maintenance can cause property damage or personal injury. Installation and service must be performed by a qualified installer and servicing agency