



**SUBMITTAL DATA – FLOOR CEILING TYPE  
LISH048000N432 - LIUH048160U432  
3 PHASE INVERTER MINI-SPLIT HEAT PUMP**

Job: \_\_\_\_\_  
Location: \_\_\_\_\_  
Schedule No.: \_\_\_\_\_  
System Designation: \_\_\_\_\_

Engineer: \_\_\_\_\_  
Architect: \_\_\_\_\_  
Date: \_\_\_\_\_

**FEATURES**

Outdoor Unit: **LISH048000N432**  
Outdoor Unit Cat Number: **19V93**

Indoor Unit: **LIUH048160U432**  
Indoor Unit Cat Number: **19V67**



- DC Inverter Compressor
- DC ODU Motor



- Auto Restart
- Double Louver
- DC IDU Motor
- Easy Installation
- Washable Filter

**PIPING**

Line Set and Elevation Guidelines	
Maximum Line Set Length ft. (m)	246 ft. (75 m)
Maximum Elevation - Outdoor Unit Below/Above Indoor Unit ft. (m)	98.4 ft. (30 m)
Liquid Line Set Diameter (in.)	3/8"
Gas Line Set Diameter (in.)	5/8"

**PRODUCT WARRANTY**

5 Year Limited Warranty\*

**OPTIONAL ACCESORIES**

Wired Control (20U46, XK117)

WIFI Module (20U44, ME31-00/C6)



**NOTE** – Due to Lennox' ongoing commitment to quality, Specifications, Ratings, and Dimensions are subject to change without notice and without incurring liability. Improper installation, adjustment, alteration, service or maintenance can cause property damage or personal injury. Installation and service must be performed by a qualified installer and servicing agency



**SUBMITTAL DATA – FLOOR CEILING TYPE  
LISH048000N432 - LIUH048160U432  
3 PHASE INVERTER MINI-SPLIT HEAT PUMP**

**OUTDOOR SPECIFICATIONS**

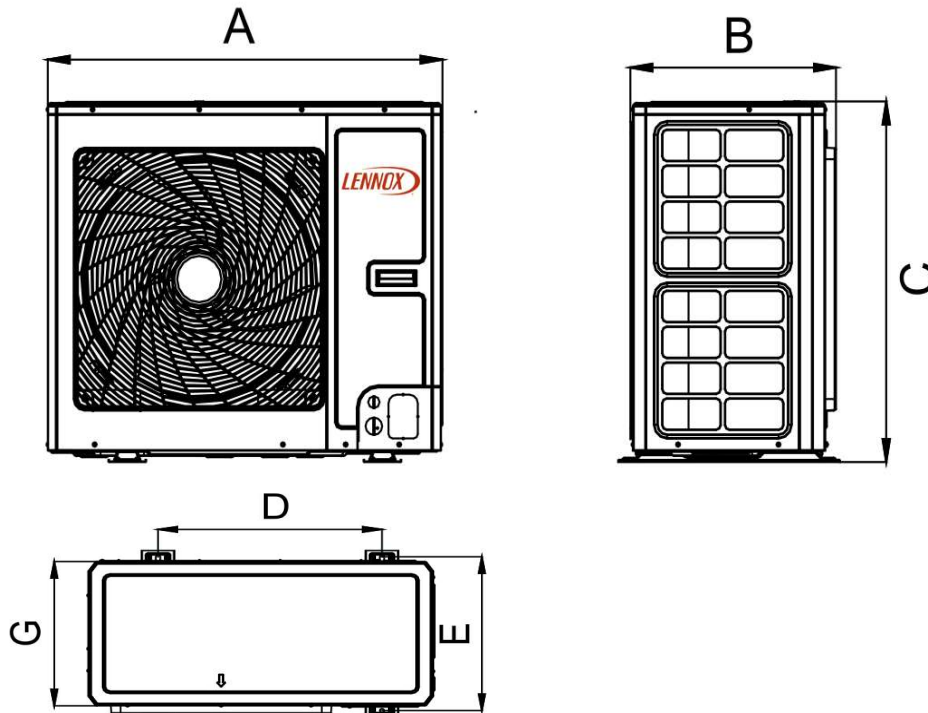
PERFORMANCE	
Cooling Capacity (Btu/h)	47,800
EER(W/W)	2.69
SEER(BTUH/W)	16
Heating Capacity (Btu/h)	51,200
HSPF	9
Outdoor Fan Total Air Volume (CFM)	3,472
Ambient Temperature Operating Range	
Cooling	5°F(-15°C) - 118°F(48°C)
Heating	5°F(-15°C) - 75°F(24°C)
ELECTRICAL DATA	
Power Supply (V/Hz/ϕ)	380-415-50/60-3
Minimum Circuit Ampacity (A)	/
Maximum Overcurrent Protection (A)	/
Outdoor Fan Motor FLA (A)	1.38
Compressor RLA (A)	8
No. of Compressors	1

GENERAL DATA	
Connection Ratio (%)	100%
Max. # of Indoor Units	1
Sound Data (dBA) - Cooling/Heating	59
Refrigerant type	R-410A
Factory refrigerant charge	8.14 lbs. 130.2 oz.

DIMENSIONS		
Unit Dimensions (in)	Height	32.3
	Width	37.0
	Depth	18.1
Shipping Weight (lb)		237.6
Net Weight (lb)		211.2

**NOTES**  
1. Cooling and Heating Capacity data is rated at the following conditions:  
Cooling: 80°FDB / 67°FWB Indoor, 95°FDB/ 75°FWB Outdoor  
Heating: 68°FDB / 59°FWB Indoor, 45°FDB/ 43°FWB Outdoor

**OUTDOOR DIMENSIONAL DRAWINGS - INCHES (MM)**



ODU	UNIT	A	B	C	D	E	G
42K/48K/60K	mm	940	530	820	610	486	460
	inch	37.0	20.9	32.3	24.0	19.1	18.1

**NOTE** – Due to Lennox' ongoing commitment to quality, Specifications, Ratings, and Dimensions are subject to change without notice and without incurring liability. Improper installation, adjustment, alteration, service or maintenance can cause property damage or personal injury. Installation and service must be performed by a qualified installer and servicing agency



**SUBMITTAL DATA – FLOOR CEILING TYPE  
LISH048000N432 - LIUH048160U432  
3 PHASE INVERTER MINI-SPLIT HEAT PUMP**

**INDOOR SPECIFICATIONS**

**PERFORMANCE**

Airflow (CFM)	Turbo	1236
	High	1177
	Medium	1059
	Low	883
External Static Pressure (in. w.g.)		-
Sound Pressure (dBA)	Turbo	52
	High	50
	Medium	48
	Low	44

**ELECTRICAL DATA**

Power Supply (V/Hz/ϕ)	220-240-50/60-1
Full load amps (FLA)	.75
Power Output (W)	250

**DIMENSIONS**

Unit Dimensions (in)	Height	9.3
	Width	61.8
	Depth	26.2
Unit Net/Shipping Weight (lb)		88/103.4

**WIRELESS REMOTE CONTROLLER SPECIFICATION**

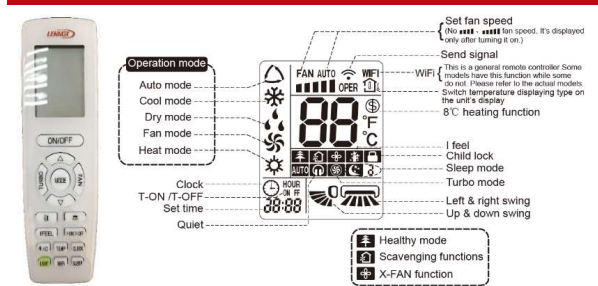
**20U45 (YAP1F6)**

Power Supply	2 AAA Batteries (Included)
--------------	-------------------------------

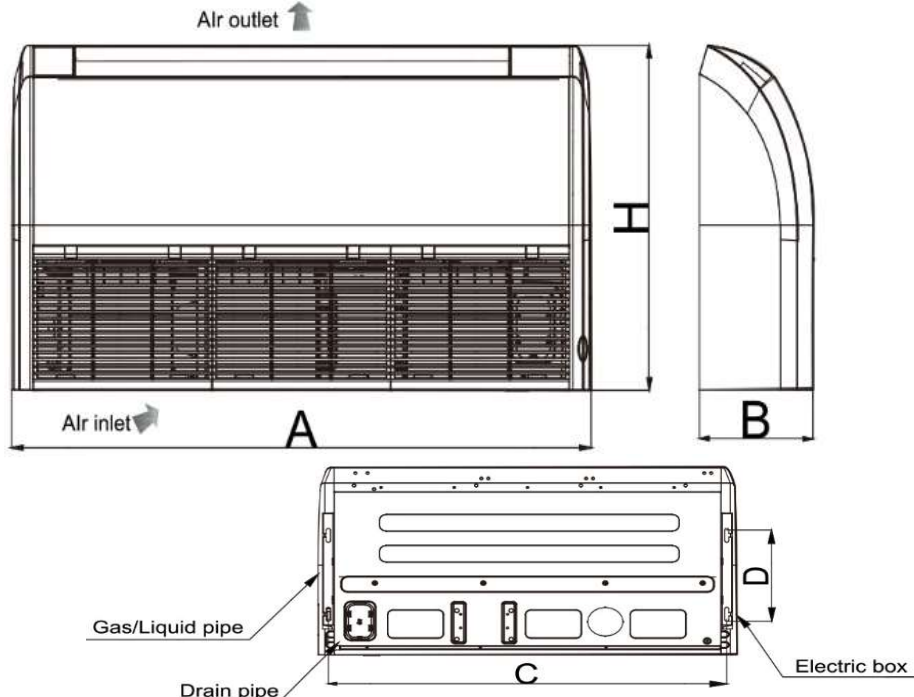
Setpoint Range	61°F(16°C) - 86°F(30°C)
----------------	-------------------------

Effective Receiving Range	26 ft.(8m)
---------------------------	------------

**DISPLAY**



**INDOOR DIMENSIONAL DRAWINGS - INCHES (MM)**



IDU	UNIT	A	B	C	D	H
48K/60K	mm	1570	235	1512	318	665
	inch	61.8	9.3	59.5	12.5	26.2

**NOTE** – Due to Lennox' ongoing commitment to quality, Specifications, Ratings, and Dimensions are subject to change without notice and without incurring liability. Improper installation, adjustment, alteration, service or maintenance can cause property damage or personal injury. Installation and service must be performed by a qualified installer and servicing agency