



**SUBMITTAL DATA – CASSETTE TYPE
LISH036000P431-C - LICH4036180P431-C
SINGLE ZONE INVERTER MINI-SPLIT HEAT PUMP**

Job: _____
Location: _____
Schedule No.: _____
System Designation: _____

Engineer: _____
Architect: _____
Date: _____

FEATURES

Outdoor Unit: **LISH036000P431-C**
Outdoor Unit Cat Number: **Y7924**

Indoor Unit: **LICH4036180P431-C**
Indoor Unit Cat Number: **Y7916**



- DC Inverter Compressor
- DC ODU Motor
- Golden Fin
- Low Ambient Cooling

- Auto Restart
- 360° Airflow
- DC IDU Motor
- Washable Filter

PIPING

Line Set and Elevation Guidelines	
Maximum Line Set Length ft. (m)	213 ft. (65 m)
Maximum Elevation - Outdoor Unit Below/Above Indoor Unit ft. (m)	98 ft. (30 m)
Liquid Line Set Diameter (in.)	3/8"
Gas Line Set Diameter (in.)	5/8"

PRODUCT WARRANTY

5 Year Limited Warranty*

OPTIONAL ACCESORIES

Wired Control (21F35, KJR-120G2/TFBG-E-03)



NOTE – Due to Lennox' ongoing commitment to quality, Specifications, Ratings, and Dimensions are subject to change without notice and without incurring liability. Improper installation, adjustment, alteration, service or maintenance can cause property damage or personal injury. Installation and service must be performed by a qualified installer and servicing agency



**SUBMITTAL DATA – CASSETTE TYPE
LISH036000P431-C - LICH4036180P431-C
SINGLE ZONE INVERTER MINI-SPLIT HEAT PUMP**

OUTDOOR SPECIFICATIONS

PERFORMANCE	
Cooling Capacity (Btu/h)	36,000
EER(W/W)	2.64
SEER(BTUH/W)	17.5
Heating Capacity (Btu/h)	38,000
HSPF	10.5
Outdoor Fan Total Air Volume (CFM)	2,530
Ambient Temperature Operating Range	
Cooling	5°F(-15°C) - 122°F(50°C)
Heating	5°F(-15°C) - 86°F(30°C)
ELECTRICAL DATA	
Power Supply (V/Hz/ϕ)	208-230/60/1
Minimum Circuit Ampacity (A)	30
Maximum Overcurrent Protection (A)	50
Outdoor Fan Motor RLA (A)	1
Compressor RLA (A)	22
No. of Compressors	1

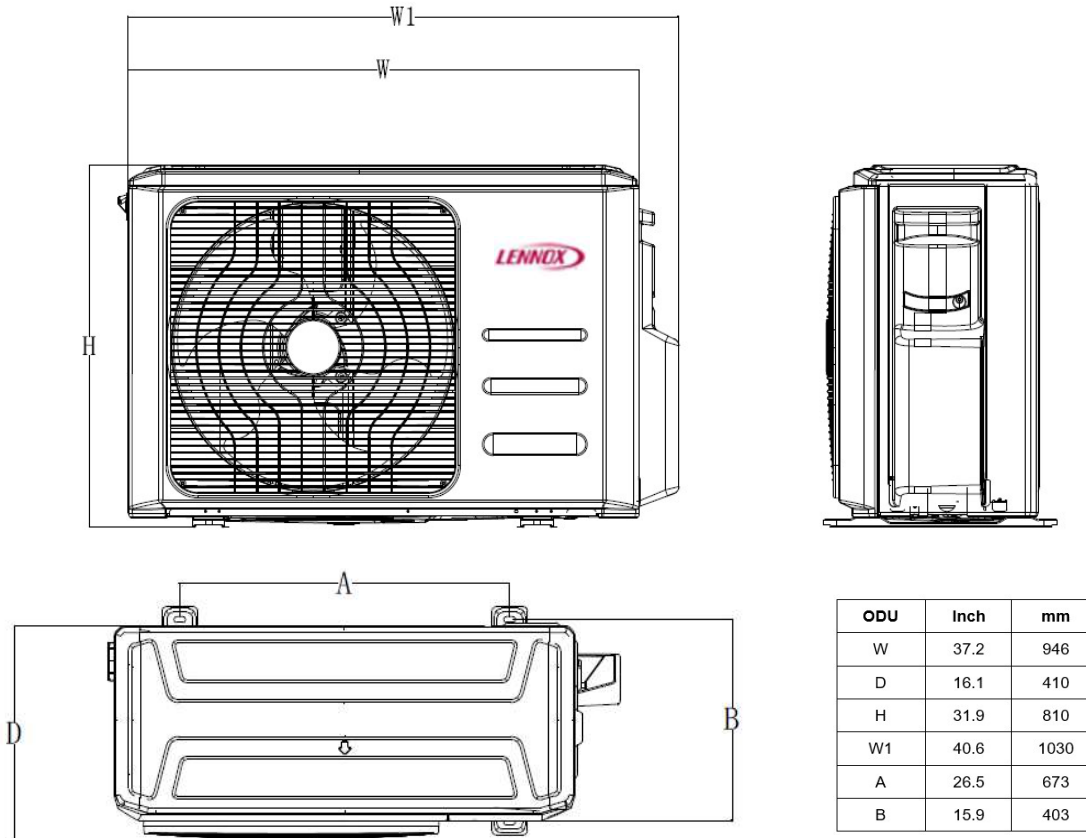
GENERAL DATA	
Connection Ratio (%)	100%
Max. # of Indoor Units	1
Sound Data (dBA) - Cooling/Heating	66
Refrigerant type	R-410A
Factory refrigerant charge	6.75lbs. 108 oz.

DIMENSIONS		
Unit Dimensions (in)	Height	31.9
	Width	37.2
	Depth	16.1
Shipping Weight (lb)		160.94
Net Weight (lb)		148.59

NOTES

1. Cooling and Heating Capacity data is rated at the following conditions:
Cooling: 80°FDB / 67°FWB Indoor, 95°FDB/ 75°FWB Outdoor
Heating: 70°FDB / 60°FWB Indoor, 47°FDB/ 43°FWB Outdoor

OUTDOOR DIMENSIONAL DRAWINGS - INCHES (MM)



NOTE – Due to Lennox' ongoing commitment to quality, Specifications, Ratings, and Dimensions are subject to change without notice and without incurring liability. Improper installation, adjustment, alteration, service or maintenance can cause property damage or personal injury. Installation and service must be performed by a qualified installer and servicing agency



**SUBMITTAL DATA – CASSETTE TYPE
LISH03600P431-C - LICH4036180P431-C
SINGLE ZONE INVERTER MINI-SPLIT HEAT PUMP**

INDOOR SPECIFICATIONS

PERFORMANCE

Airflow (CFM)	Turbo	/
	High	1095
	Medium	958
	Low	809
External Static Pressure (in. w.g.)		-
Sound Pressure (dBA)	Turbo	/
	High	55
	Medium	52
	Low	49

ELECTRICAL DATA

Power Supply (V/Hz/ϕ)	208-230/60/1
Rated load amps (RLA)	1.5
Power Output (W)	124

DIMENSIONS

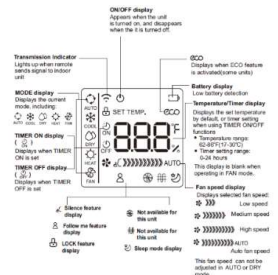
Unit Dimensions (in)	Height	9.6
	Width	33.1
	Depth	33.1
Unit Net/Shipping Weight (lb)		58.2/66.1

WIRELESS REMOTE CONTROLLER SPECIFICATION

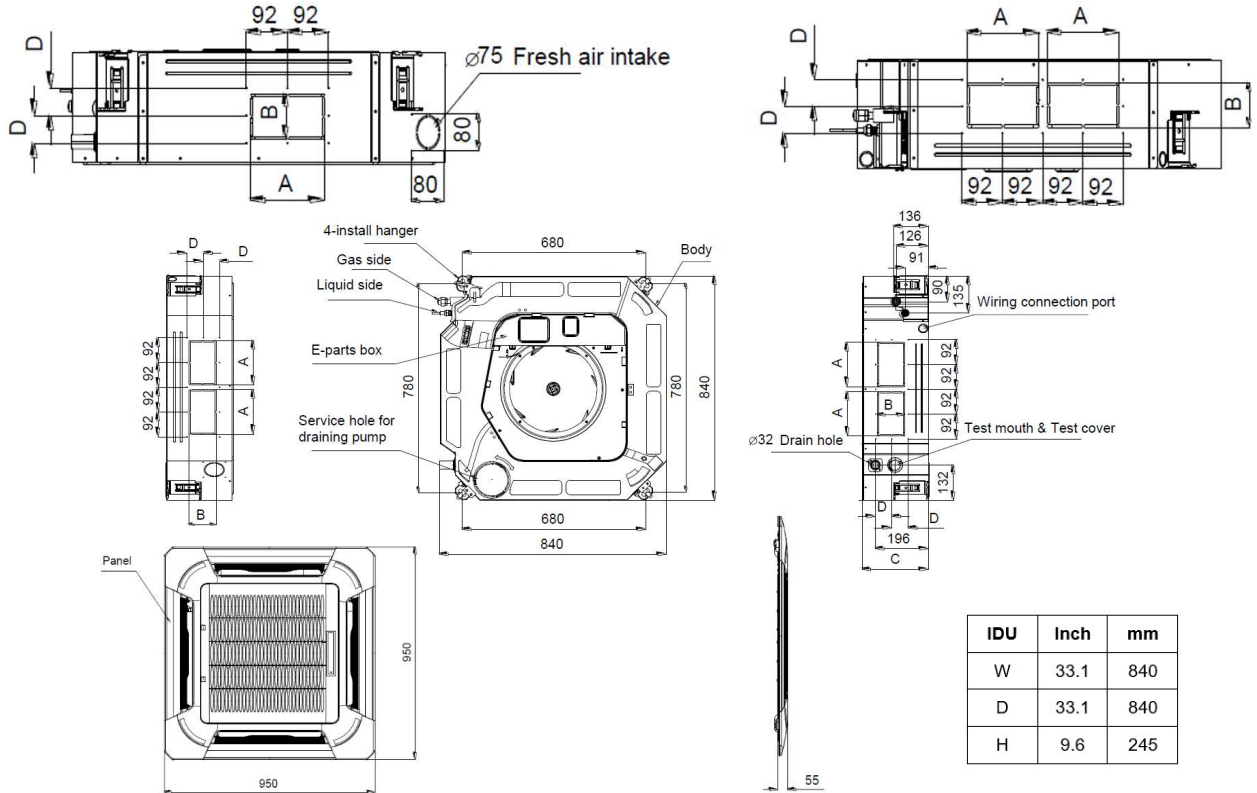
18Y54 (RG66A1/BGEFU1)

Power Supply	2 AAA Batteries (Included)
Setpoint Range	62°F(17°C) - 86°F(30°C)
Effective Receiving Range	26 ft.(8m)

DISPLAY



INDOOR DIMENSIONAL DRAWINGS - INCHES (MM)



IDU	Inch	mm
W	33.1	840
D	33.1	840
H	9.6	245

NOTE – Due to Lennox’ ongoing commitment to quality, Specifications, Ratings, and Dimensions are subject to change without notice and without incurring liability. Improper installation, adjustment, alteration, service or maintenance can cause property damage or personal injury. Installation and service must be performed by a qualified installer and servicing agency