



**SUBMITTAL DATA – CASSETTE TYPE  
LISH048000P431-C - LICH4048180P431-C  
SINGLE ZONE INVERTER MINI-SPLIT HEAT PUMP**

Job: \_\_\_\_\_  
Location: \_\_\_\_\_  
Schedule No.: \_\_\_\_\_  
System Designation: \_\_\_\_\_

Engineer: \_\_\_\_\_  
Architect: \_\_\_\_\_  
Date: \_\_\_\_\_

**FEATURES**

Outdoor Unit: **LISH048000P431-C**  
Outdoor Unit Cat Number: **Y7925**

Indoor Unit: **LICH4048180P431-C**  
Indoor Unit Cat Number: **Y7917**



- DC Inverter Compressor
- DC ODU Motor
- Golden Fin
- Low Ambient Cooling



- Auto Restart
- 360° Airflow
- DC IDU Motor
- Washable Filter

**PIPING**

Line Set and Elevation Guidelines

Maximum Line Set Length ft. (m)	213 ft. (65 m)
Maximum Elevation - Outdoor Unit Below/Above Indoor Unit ft. (m)	98 ft. (30 m)
Liquid Line Set Diameter (in.)	3/8"
Gas Line Set Diameter (in.)	5/8"

**PRODUCT WARRANTY**

5 Year Limited Warranty\*

**OPTIONAL ACCESORIES**

Wired Control (21F35, KJR-120G2/TFBG-E-03)



**NOTE** – Due to Lennox' ongoing commitment to quality, Specifications, Ratings, and Dimensions are subject to change without notice and without incurring liability. Improper installation, adjustment, alteration, service or maintenance can cause property damage or personal injury. Installation and service must be performed by a qualified installer and servicing agency



**SUBMITTAL DATA – CASSETTE TYPE  
LISH048000P431-C - LICH4048180P431-C  
SINGLE ZONE INVERTER MINI-SPLIT HEAT PUMP**

**OUTDOOR SPECIFICATIONS**

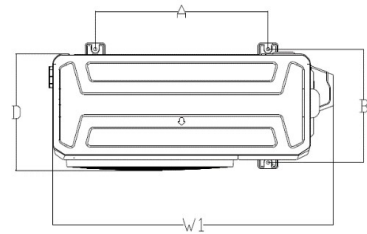
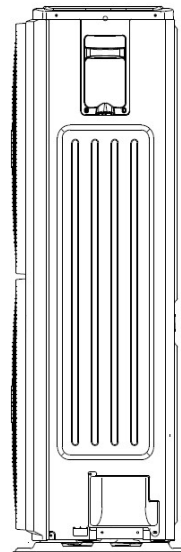
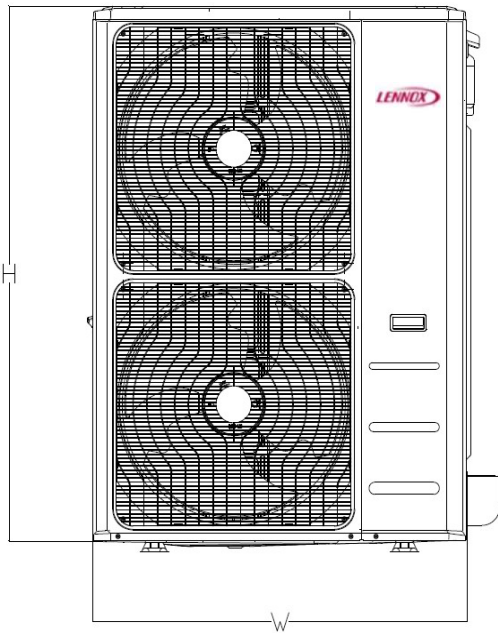
PERFORMANCE	
Cooling Capacity (Btu/h)	48,000
EER(W/W)	2.78
SEER(BTUH/W)	16.8
Heating Capacity (Btu/h)	50,000
HSPF	11
Outdoor Fan Total Air Volume (CFM)	4,470
Ambient Temperature Operating Range	
Cooling	5°F(-15°C) - 122°F(50°C)
Heating	5°F(-15°C) - 86°F(30°C)
ELECTRICAL DATA	
Power Supply (V/Hz/ϕ)	208-230/60/1
Minimum Circuit Ampacity (A)	35
Maximum Overcurrent Protection (A)	50
Outdoor Fan Motor RLA (A)	0.39
Compressor RLA (A)	23.5
No. of Compressors	1

GENERAL DATA	
Connection Ratio (%)	100%
Max. # of Indoor Units	1
Sound Data (dBA) - Cooling/Heating	62.5
Refrigerant type	R-410A
Factory refrigerant charge	9.26 lbs. 148.2 oz.

DIMENSIONS		
Unit Dimensions (in)	Height	52.5
	Width	37.5
	Depth	16.3
Shipping Weight (lb)		246
Net Weight (lb)		217.4

**NOTES**  
1. Cooling and Heating Capacity data is rated at the following conditions:  
Cooling: 80°FDB / 67°FWB Indoor, 95°FDB/ 75°FWB Outdoor  
Heating: 70°FDB / 60°FWB Indoor, 47°FDB/ 43°FWB Outdoor

**OUTDOOR DIMENSIONAL DRAWINGS - INCHES (MM)**



ODU	Inch	mm
W	37.5	952
D	16.3	415
H	52.5	1333
W1	41.1	1045
A	25.0	634
B	15.9	404

**NOTE** – Due to Lennox' ongoing commitment to quality, Specifications, Ratings, and Dimensions are subject to change without notice and without incurring liability. Improper installation, adjustment, alteration, service or maintenance can cause property damage or personal injury. Installation and service must be performed by a qualified installer and servicing agency



**SUBMITTAL DATA – CASSETTE TYPE  
LISH04800P431-C - LICH4048180P431-C  
SINGLE ZONE INVERTER MINI-SPLIT HEAT PUMP**

**INDOOR SPECIFICATIONS**

**PERFORMANCE**

Airflow (CFM)	Turbo	/
	High	1177
	Medium	1030
	Low	853
External Static Pressure (in. w.g.)		-
Sound Pressure (dBA)	Turbo	/
	High	55
	Medium	52
	Low	49

**ELECTRICAL DATA**

Power Supply (V/Hz/ϕ)	208-230/60/1
Rated load amps (RLA)	1.5
Power Output (W)	170

**DIMENSIONS**

Unit Dimensions (in)	Height	11.3
	Width	33.1
	Depth	33.1
Unit Net/Shipping Weight (lb)		63.3/72.5

**WIRELESS REMOTE CONTROLLER SPECIFICATION**

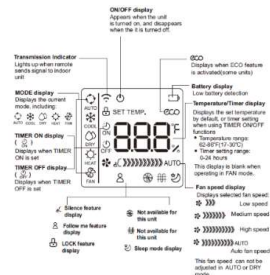
**18Y54 (RG66A1/BGEFU1)**

Power Supply	2 AAA Batteries (Included)
--------------	----------------------------

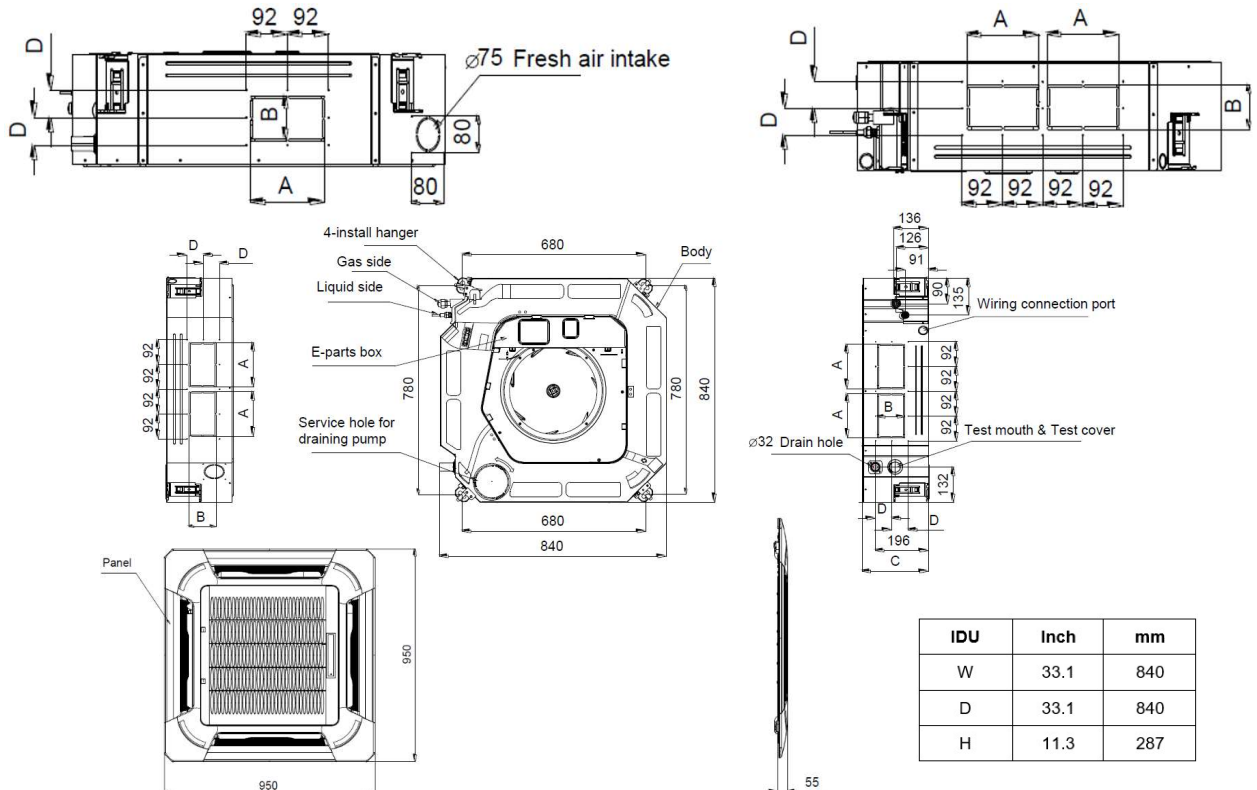
Setpoint Range	62°F(17°C) - 86°F(30°C)
----------------	-------------------------

Effective Receiving Range	26 ft.(8m)
---------------------------	------------

**DISPLAY**



**INDOOR DIMENSIONAL DRAWINGS - INCHES (MM)**



**NOTE –** Due to Lennox' ongoing commitment to quality, Specifications, Ratings, and Dimensions are subject to change without notice and without incurring liability. Improper installation, adjustment, alteration, service or maintenance can cause property damage or personal injury. Installation and service must be performed by a qualified installer and servicing agency