



**SUBMITTAL DATA – FAN COIL
LISH012000P431-C - LIFHC012180P431-C
SINGLE ZONE INVERTER MINI-SPLIT HEAT PUMP**

Job: _____
Location: _____
Schedule No.: _____
System Designation: _____

Engineer: _____
Architect: _____
Date: _____

FEATURES

Outdoor Unit: **LISH012000P431-C**
Outdoor Unit Cat Number: **Y9263**

Indoor Unit: **LIFHC012180P431-C**
Indoor Unit Cat Number: **Y9278**



- DC Inverter Compressor
- DC ODU Motor
- Golden Fin



- Auto Restart
- DC IDU Motor
- Compact Design
- Wireless Control Included
- Wired Control Included
- Water Pump Included
- Washable Filter Included

PIPING

Line Set and Elevation Guidelines	
Maximum Line Set Length ft. (m)	82 ft. (25 m)
Maximum Elevation - Outdoor Unit Below/Above Indoor Unit ft. (m)	33 ft. (10 m)
Liquid Line Set Diameter (in.)	1/4"
Gas Line Set Diameter (in.)	1/2"

PRODUCT WARRANTY

5 Year Limited Warranty*

OPTIONAL ACCESORIES



NOTE – Due to Lennox' ongoing commitment to quality, Specifications, Ratings, and Dimensions are subject to change without notice and without incurring liability. Improper installation, adjustment, alteration, service or maintenance can cause property damage or personal injury. Installation and service must be performed by a qualified installer and servicing agency



**SUBMITTAL DATA – FAN COIL
LISH012000P431-C - LIFHC012180P431-C
SINGLE ZONE INVERTER MINI-SPLIT HEAT PUMP**

OUTDOOR SPECIFICATIONS

PERFORMANCE

Cooling Capacity (Btu/h)	12,000
EER(W/W)	3.66
SEER(BTUH/W)	20.5
Heating Capacity (Btu/h)	12,000
HSPF	11

Outdoor Fan Total Air Volume (CFM)	1,180
Ambient Temperature Operating Range	
Cooling	-22°F(-30°C) - 122°F(50°C)
Heating	-22°F(-30°C) - 86°F(30°C)

ELECTRICAL DATA

Power Supply (V/Hz/ϕ)	208-230/60/1
Minimum Circuit Ampacity (A)	9
Maximum Overcurrent Protection (A)	15
Outdoor Fan Motor RLA (A)	.38
Compressor RLA (A)	5.65
No. of Compressors	1

GENERAL DATA

Connection Ratio (%)	100%
Max. # of Indoor Units	1
Sound Data (dBA) - Cooling/Heating	57
Refrigerant type	R-410A
Factory refrigerant charge	3.3 lbs. 52.9 oz.

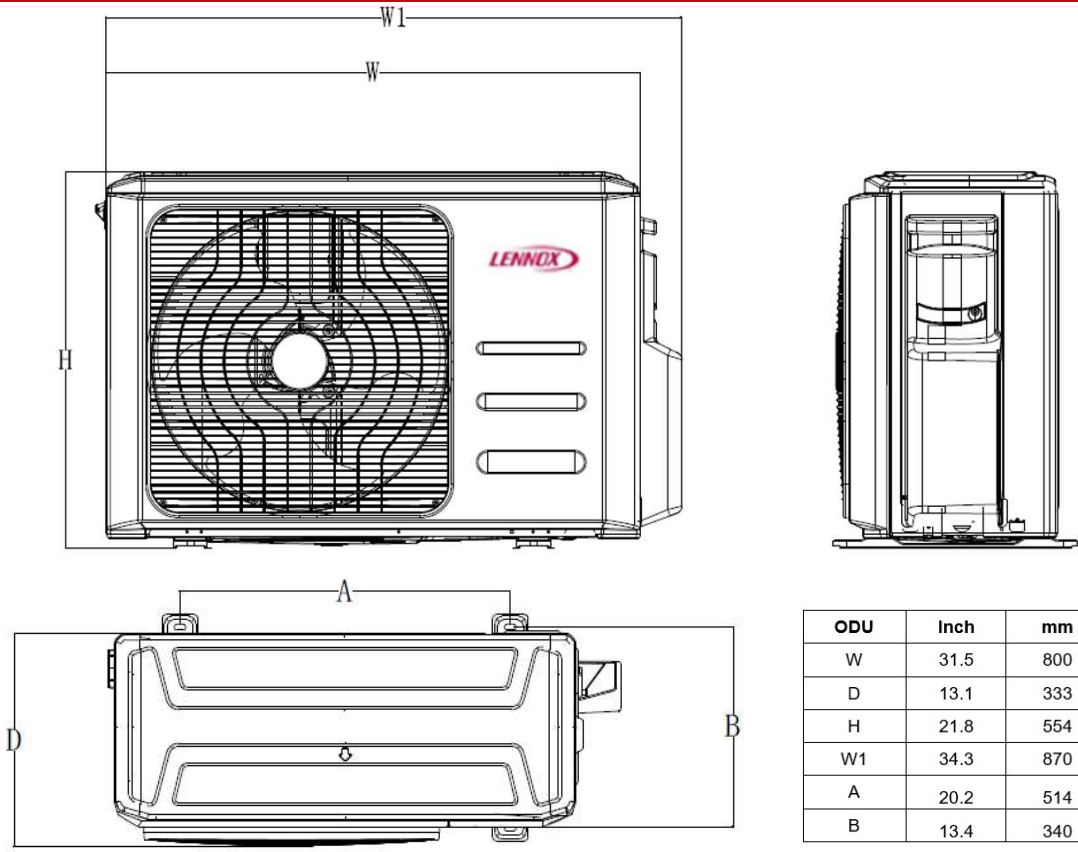
DIMENSIONS

Unit Dimensions (in)	Height	21.8
	Width	31.5
	Depth	13.1
Shipping Weight (lb)		93.7
Net Weight (lb)		88.2

NOTES

1. Cooling and Heating Capacity data is rated at the following conditions:
Cooling: 80°FDB / 67°FWB Indoor, 95°FDB/ 75°FWB Outdoor
Heating: 70°FDB / 60°FWB Indoor, 47°FDB/ 43°FWB Outdoor

OUTDOOR DIMENSIONAL DRAWINGS - INCHES (MM)



ODU	Inch	mm
W	31.5	800
D	13.1	333
H	21.8	554
W1	34.3	870
A	20.2	514
B	13.4	340

NOTE – Due to Lennox' ongoing commitment to quality, Specifications, Ratings, and Dimensions are subject to change without notice and without incurring liability. Improper installation, adjustment, alteration, service or maintenance can cause property damage or personal injury. Installation and service must be performed by a qualified installer and servicing agency



**SUBMITTAL DATA – FAN COIL
LISH012000P431-C - LIFHC012180P431-C
SINGLE ZONE INVERTER MINI-SPLIT HEAT PUMP**

INDOOR SPECIFICATIONS

PERFORMANCE			
Airflow (CFM)	Turbo	/	
	High		353
	Medium		283
	Low		177
External Static Pressure (Pa)			25
Sound Pressure (dBA)	Turbo	/	
	High		38
	Medium		34
	Low		26

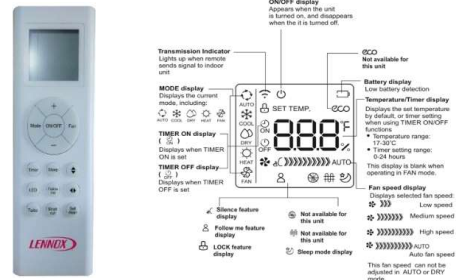
ELECTRICAL DATA	
Power Supply (V/Hz/φ)	208-230/60/1
Rated load amps (RLA)	1.11
Power Output (W)	55

DIMENSIONS			
Unit Dimensions (in)	Height		7.9
	Width		27.6
	Depth		19.9
Unit Net/Shipping Weight (lb)			37.5/48.3

WIRELESS REMOTE CONTROLLER SPECIFICATIONS

18Y54 (RG66A1/BGEFU1)	
Power Supply	2 AAA Batteries (Included)
Setpoint Range	62°F(17°C) - 86°F(30°C)
Effective Receiving Range	26 ft.(8m)

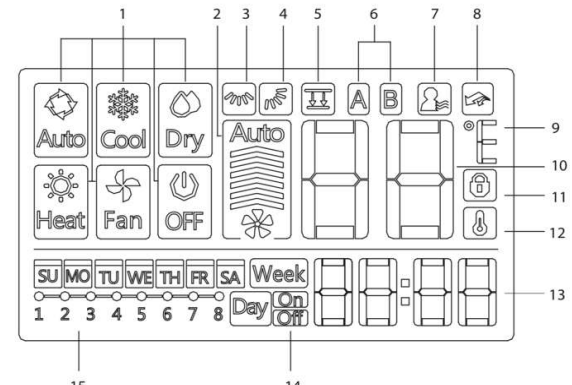
DISPLAY



WIRED CONTROLLER SPECIFICATIONS

21F35 (KJR-120G2/TFBG-E-03)	
Power Supply	DC 12V, Supplied by IDU
Setpoint Range	62°F(17°C) - 86°F(30°C)
Effective Receiving Range	65 ft.(20m)

DISPLAY

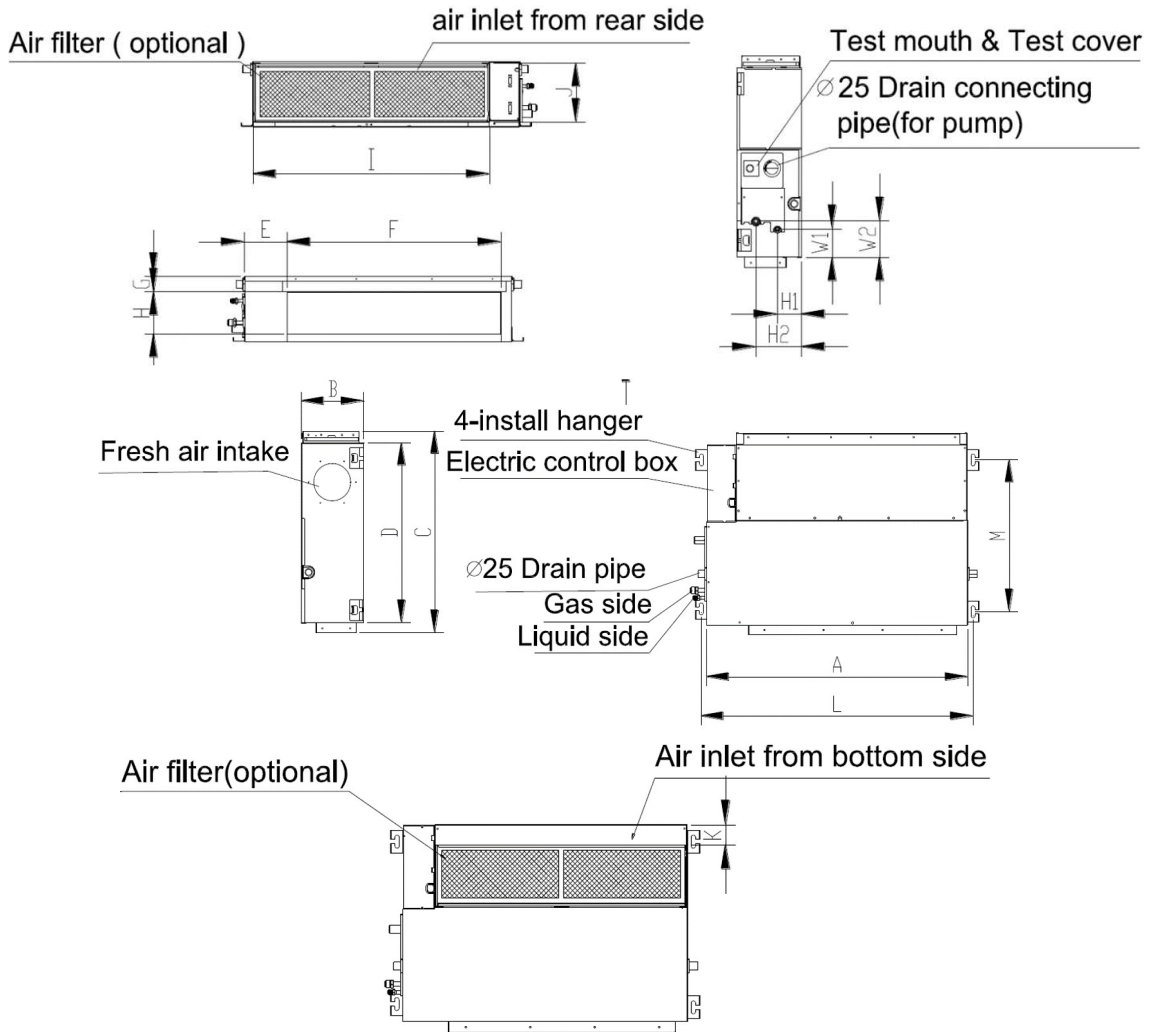


NOTE – Due to Lennox' ongoing commitment to quality, Specifications, Ratings, and Dimensions are subject to change without notice and without incurring liability. Improper installation, adjustment, alteration, service or maintenance can cause property damage or personal injury. Installation and service must be performed by a qualified installer and servicing agency



**SUBMITTAL DATA – FAN COIL
LISH012000P431-C - LIFHC012180P431-C
SINGLE ZONE INVERTER MINI-SPLIT HEAT PUMP**

INDOOR DIMENSIONAL DRAWINGS - INCHES (MM)



IDU	UNIT	A	B	C	D	E	F	G	H	I	J	K	L	M	H1	H2	W1	W2
12K	mm	700	200	506	450	137	537	30	152	599	186	50	741	360	84	140	84	84
	inch	27.6	7.9	19.9	17.7	5.4	21.1	1.2	6.0	23.6	7.3	2.0	29.2	14.2	3.3	5.5	3.3	3.3

NOTE – Due to Lennox' ongoing commitment to quality, Specifications, Ratings, and Dimensions are subject to change without notice and without incurring liability. Improper installation, adjustment, alteration, service or maintenance can cause property damage or personal injury. Installation and service must be performed by a qualified installer and servicing agency