



**SUBMITTAL DATA – FAN COIL
LISH018000P431-C - LIFHC018180P431-C1
SINGLE ZONE INVERTER MINI-SPLIT HEAT PUMP**

Job: _____
Location: _____
Schedule No.: _____
System Designation: _____

Engineer: _____
Architect: _____
Date: _____

FEATURES

Outdoor Unit: **LISH018000P431-C**
Outdoor Unit Cat Number: **Y922**

Indoor Unit: **LIFHC018180P431-C1**
Indoor Unit Cat Number: **Y9258**



- DC Inverter Compressor
- DC ODU Motor
- Golden Fin



- Auto Restart
- DC IDU Motor
- Compact Design
- Wireless Control Included
- Wired Control Included
- Water Pump Included
- Washable Filter Included

PIPING

Line Set and Elevation Guidelines

Maximum Line Set Length ft. (m)	98 ft. (30 m)
Maximum Elevation - Outdoor Unit Below/Above Indoor Unit ft. (m)	66 ft. (20 m)
Liquid Line Set Diameter (in.)	1/4"
Gas Line Set Diameter (in.)	1/2"

PRODUCT WARRANTY

5 Year Limited Warranty*

OPTIONAL ACCESORIES



NOTE – Due to Lennox' ongoing commitment to quality, Specifications, Ratings, and Dimensions are subject to change without notice and without incurring liability. Improper installation, adjustment, alteration, service or maintenance can cause property damage or personal injury. Installation and service must be performed by a qualified installer and servicing agency



**SUBMITTAL DATA – FAN COIL
LISH018000P431-C - LIFHC018180P431-C1
SINGLE ZONE INVERTER MINI-SPLIT HEAT PUMP**

OUTDOOR SPECIFICATIONS

PERFORMANCE

Cooling Capacity (Btu/h)	18,000
EER(W/W)	3.66
SEER(BTUH/W)	19
Heating Capacity (Btu/h)	18,000
HSPF	10.5

Outdoor Fan Total Air Volume (CFM)	1,470
Ambient Temperature Operating Range	
Cooling	-31°F(-25°C) - 122°F(50°C)
Heating	-13°F(-25°C) - 86°F(30°C)

ELECTRICAL DATA

Power Supply (V/Hz/ϕ)	208-230/60/1
Minimum Circuit Ampacity (A)	15
Maximum Overcurrent Protection (A)	20
Outdoor Fan Motor RLA (A)	.6
Compressor RLA (A)	10.5
No. of Compressors	1

GENERAL DATA

Connection Ratio (%)	100%
Max. # of Indoor Units	1
Sound Data (dBA) - Cooling/Heating	60
Refrigerant type	R-410A
Factory refrigerant charge	4.3 lbs. 68.8 oz.

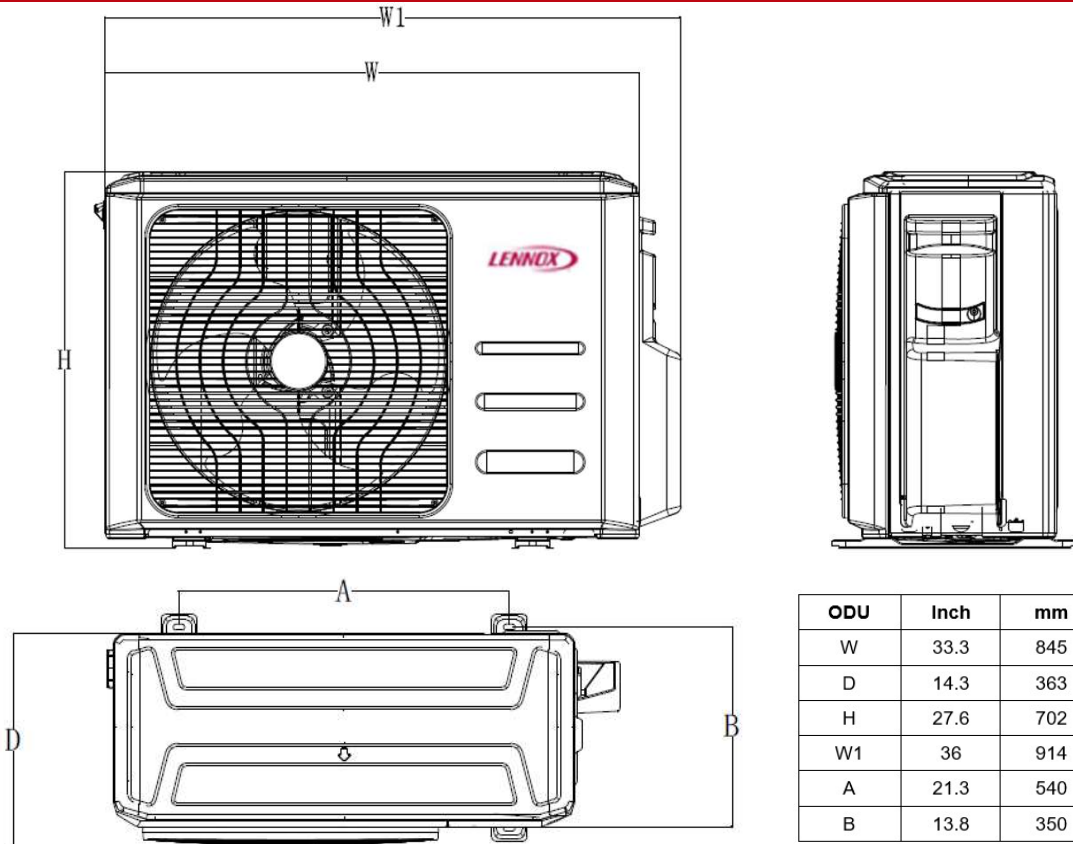
DIMENSIONS

Unit Dimensions (in)	Height	27.6
	Width	33.3
	Depth	14.3
Shipping Weight (lb)		102.5
Net Weight (lb)		95.2

NOTES

1. Cooling and Heating Capacity data is rated at the following conditions:
Cooling: 80°FDB / 67°FWB Indoor, 95°FDB/ 75°FWB Outdoor
Heating: 70°FDB / 60°FWB Indoor, 47°FDB/ 43°FWB Outdoor

OUTDOOR DIMENSIONAL DRAWINGS - INCHES (MM)



ODU	Inch	mm
W	33.3	845
D	14.3	363
H	27.6	702
W1	36	914
A	21.3	540
B	13.8	350

NOTE – Due to Lennox' ongoing commitment to quality, Specifications, Ratings, and Dimensions are subject to change without notice and without incurring liability. Improper installation, adjustment, alteration, service or maintenance can cause property damage or personal injury. Installation and service must be performed by a qualified installer and servicing agency



**SUBMITTAL DATA – FAN COIL
LISH018000P431-C - LIFHC018180P431-C1
SINGLE ZONE INVERTER MINI-SPLIT HEAT PUMP**

INDOOR SPECIFICATIONS

PERFORMANCE		
Airflow (CFM)	Turbo	/
	High	520
	Medium	430
	Low	360
External Static Pressure (Pa)		25
Sound Pressure (dBA)	Turbo	/
	High	41
	Medium	39
	Low	37

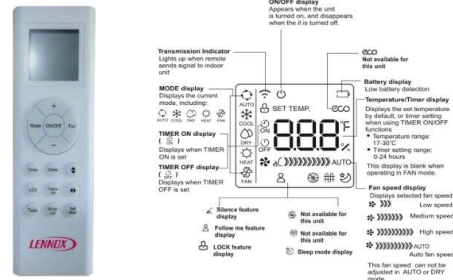
ELECTRICAL DATA	
Power Supply (V/Hz/φ)	208-230/60/1
Rated load amps (RLA)	1.5
Power Output (W)	160

DIMENSIONS		
Unit Dimensions (in)	Height	8.3
	Width	34.6
	Depth	26.5
Unit Net/Shipping Weight (lb)		50.7/60.6

WIRELESS REMOTE CONTROLLER SPECIFICATIONS

18Y54 (RG66A1/BGEFU1)	
Power Supply	2 AAA Batteries (Included)
Setpoint Range	62°F(17°C) - 86°F(30°C)
Effective Receiving Range	26 ft.(8m)

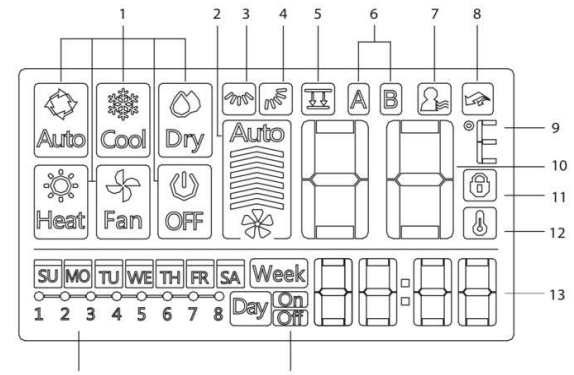
DISPLAY



WIRED CONTROLLER SPECIFICATIONS

21F35 (KJR-120G2/TFBG-E-03)	
Power Supply	DC 12V, Supplied by IDU
Setpoint Range	62°F(17°C) - 86°F(30°C)
Effective Receiving Range	65 ft.(20m)

DISPLAY



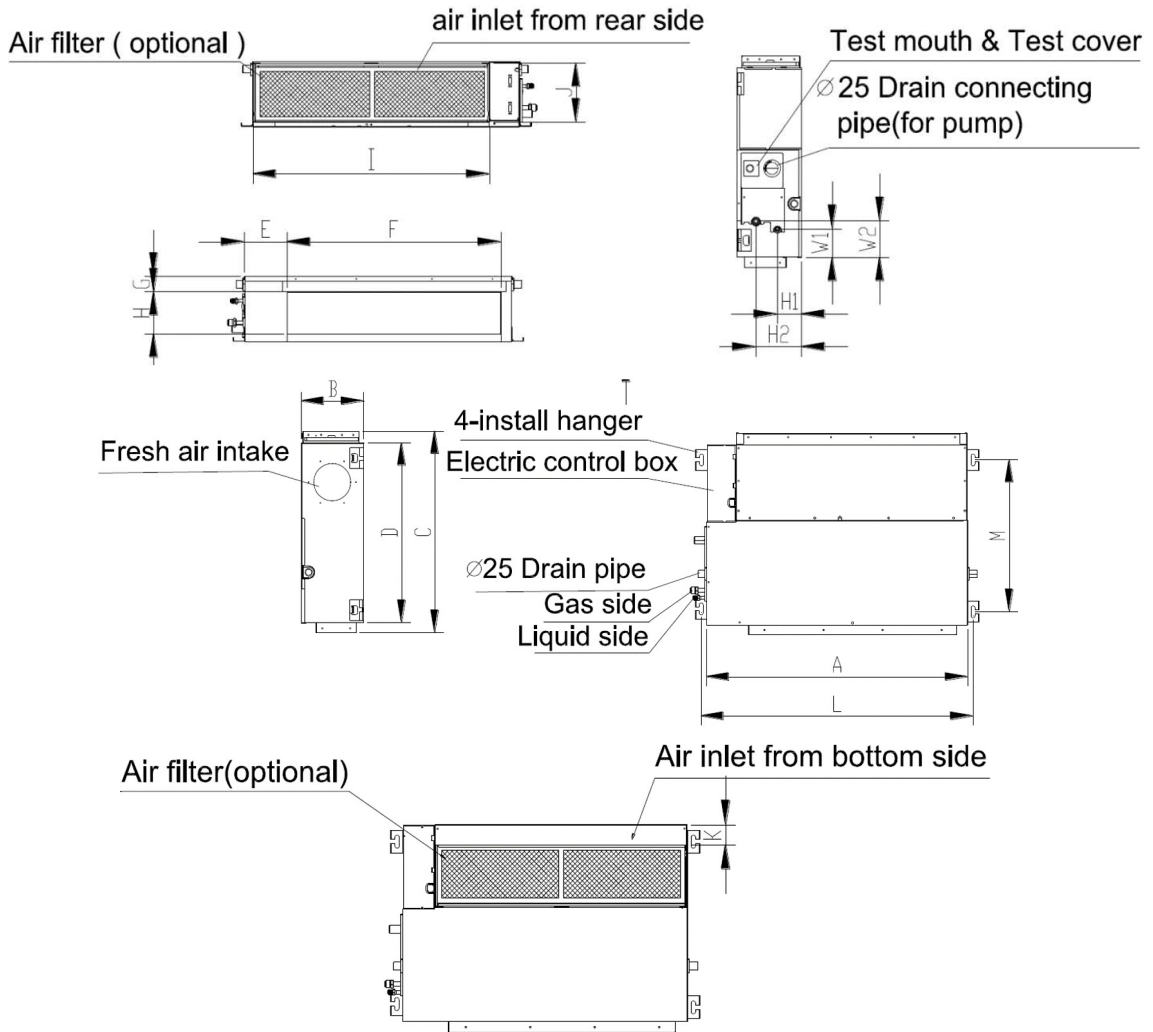
1. Operation mode indicator
2. Fan speed indicator
3. Left-right swing indicator
4. Up-down swing indicator
5. Panel function indicator
6. Main unit and secondary unit indicator
7. Follow me function indicator
8. Turbo/Auxiliary Heat function indicator
9. °C / °F indicator
10. Temperature display
11. Lock indicator
12. Room temperature indicator
13. Clock display
14. On/Off timer
15. Timer display

NOTE – Due to Lennox' ongoing commitment to quality, Specifications, Ratings, and Dimensions are subject to change without notice and without incurring liability. Improper installation, adjustment, alteration, service or maintenance can cause property damage or personal injury. Installation and service must be performed by a qualified installer and servicing agency



**SUBMITTAL DATA – FAN COIL
LISH018000P431-C - LIFHC018180P431-C1
SINGLE ZONE INVERTER MINI-SPLIT HEAT PUMP**

INDOOR DIMENSIONAL DRAWINGS - INCHES (MM)



IDU	UNIT	A	B	C	D	E	F	G	H	I	J	K	L	M	H1	H2	W1	W2
18K	mm	880	210	674	600	140	706	50	136	782	190	40	920	508	78	148	88	112
	inch	34.6	8.3	26.5	23.6	5.5	27.8	2.0	5.4	30.8	7.5	1.6	36.2	20.0	3.1	5.8	3.5	4.4

NOTE – Due to Lennox' ongoing commitment to quality, Specifications, Ratings, and Dimensions are subject to change without notice and without incurring liability. Improper installation, adjustment, alteration, service or maintenance can cause property damage or personal injury. Installation and service must be performed by a qualified installer and servicing agency