



**SUBMITTAL DATA – FAN COIL
LISH024000P431-C - LIFHC024180P431-C1
SINGLE ZONE INVERTER MINI-SPLIT HEAT PUMP**

Job: _____
Location: _____
Schedule No.: _____
System Designation: _____

Engineer: _____
Architect: _____
Date: _____

FEATURES

Outdoor Unit: **LISH024000P431-C**
Outdoor Unit Cat Number: **Y7923**

Indoor Unit: **LIFHC024180P431-C1**
Indoor Unit Cat Number: **Y9259**



- DC Inverter Compressor
- DC ODU Motor
- Golden Fin



- Auto Restart
- DC IDU Motor
- Compact Design
- Wireless Control Included
- Wired Control Included
- Water Pump Included
- Washable Filter Included

PIPING

Line Set and Elevation Guidelines	
Maximum Line Set Length ft. (m)	164 ft. (50 m)
Maximum Elevation - Outdoor Unit Below/Above Indoor Unit ft. (m)	82 ft. (25 m)
Liquid Line Set Diameter (in.)	3/8"
Gas Line Set Diameter (in.)	5/8"

PRODUCT WARRANTY

5 Year Limited Warranty*

OPTIONAL ACCESORIES



NOTE – Due to Lennox' ongoing commitment to quality, Specifications, Ratings, and Dimensions are subject to change without notice and without incurring liability. Improper installation, adjustment, alteration, service or maintenance can cause property damage or personal injury. Installation and service must be performed by a qualified installer and servicing agency



**SUBMITTAL DATA – FAN COIL
LISH024000P431-C - LIFHC024180P431-C1
SINGLE ZONE INVERTER MINI-SPLIT HEAT PUMP**

OUTDOOR SPECIFICATIONS

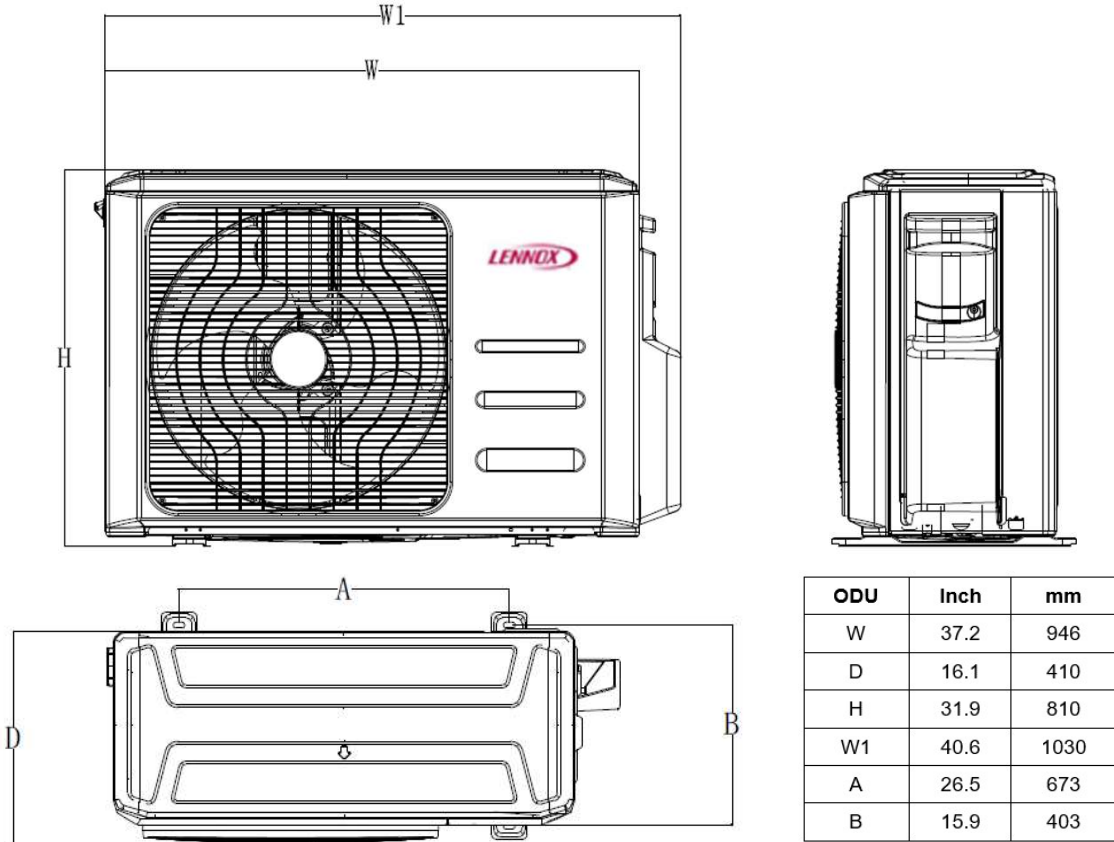
PERFORMANCE	
Cooling Capacity (Btu/h)	24,000
EER(W/W)	3.66
SEER(BTUH/W)	20
Heating Capacity (Btu/h)	24,400
HSPF	10.5
Outdoor Fan Total Air Volume (CFM)	2,354
Ambient Temperature Operating Range	
Cooling	-31°F(-25°C) - 122°F(50°C)
Heating	-13°F(-25°C) - 86°F(30°C)
ELECTRICAL DATA	
Power Supply (V/Hz/ϕ)	208-230/60/1
Minimum Circuit Ampacity (A)	15
Maximum Overcurrent Protection (A)	25
Outdoor Fan Motor RLA (A)	.6
Compressor RLA (A)	12
No. of Compressors	1

GENERAL DATA	
Connection Ratio (%)	100%
Max. # of Indoor Units	1
Sound Data (dBA) - Cooling/Heating	61
Refrigerant type	R-410A
Factory refrigerant charge	5.18 lbs. 82.9 oz.

DIMENSIONS		
Unit Dimensions (in)	Height	31.9
	Width	37.2
	Depth	16.1
Shipping Weight (lb)		148.6
Net Weight (lb)		136.7

NOTES
1. Cooling and Heating Capacity data is rated at the following conditions:
Cooling: 80°FDB / 67°FWB Indoor, 95°FDB/ 75°FWB Outdoor
Heating: 70°FDB / 60°FWB Indoor, 47°FDB/ 43°FWB Outdoor

OUTDOOR DIMENSIONAL DRAWINGS - INCHES (MM)



NOTE – Due to Lennox' ongoing commitment to quality, Specifications, Ratings, and Dimensions are subject to change without notice and without incurring liability. Improper installation, adjustment, alteration, service or maintenance can cause property damage or personal injury. Installation and service must be performed by a qualified installer and servicing agency



**SUBMITTAL DATA – FAN COIL
LISH024000P431-C - LIFHC024180P431-C1
SINGLE ZONE INVERTER MINI-SPLIT HEAT PUMP**

INDOOR SPECIFICATIONS

PERFORMANCE

Airflow (CFM)	Turbo	/
	High	820
	Medium	620
	Low	520
External Static Pressure (Pa)		25
Sound Pressure (dBA)	Turbo	/
	High	53
	Medium	48
	Low	43

ELECTRICAL DATA

Power Supply (V/Hz/φ)	208-230/60/1
Rated load amps (RLA)	2
Power Output (W)	160

DIMENSIONS

Unit Dimensions (in)	Height	9.8
	Width	43.3
	Depth	30.5
Unit Net/Shipping Weight (lb)		87/103

WIRELESS REMOTE CONTROLLER SPECIFICATIONS

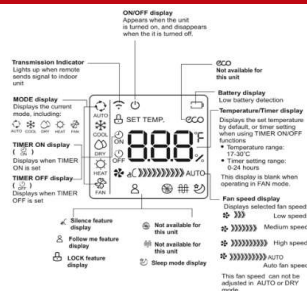
18Y54 (RG66A1/BGEFU1)

Power Supply	2 AAA Batteries (Included)
--------------	----------------------------

Setpoint Range	62°F(17°C) - 86°F(30°C)
----------------	-------------------------

Effective Receiving Range	26 ft.(8m)
---------------------------	------------

DISPLAY

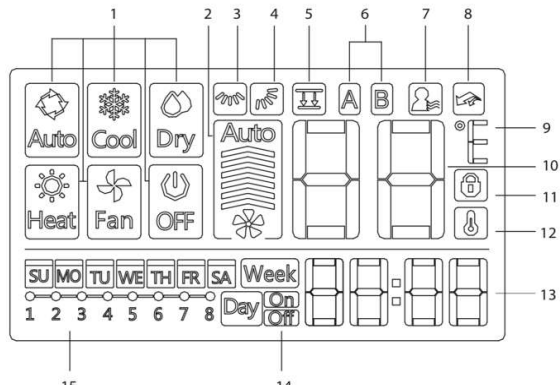


WIRED CONTROLLER SPECIFICATIONS

21F35 (KJR-120G2/TFBG-E-03)

Power Supply	DC 12V, Supplied by IDU
Setpoint Range	62°F(17°C) - 86°F(30°C)
Effective Receiving Range	65 ft.(20m)

DISPLAY

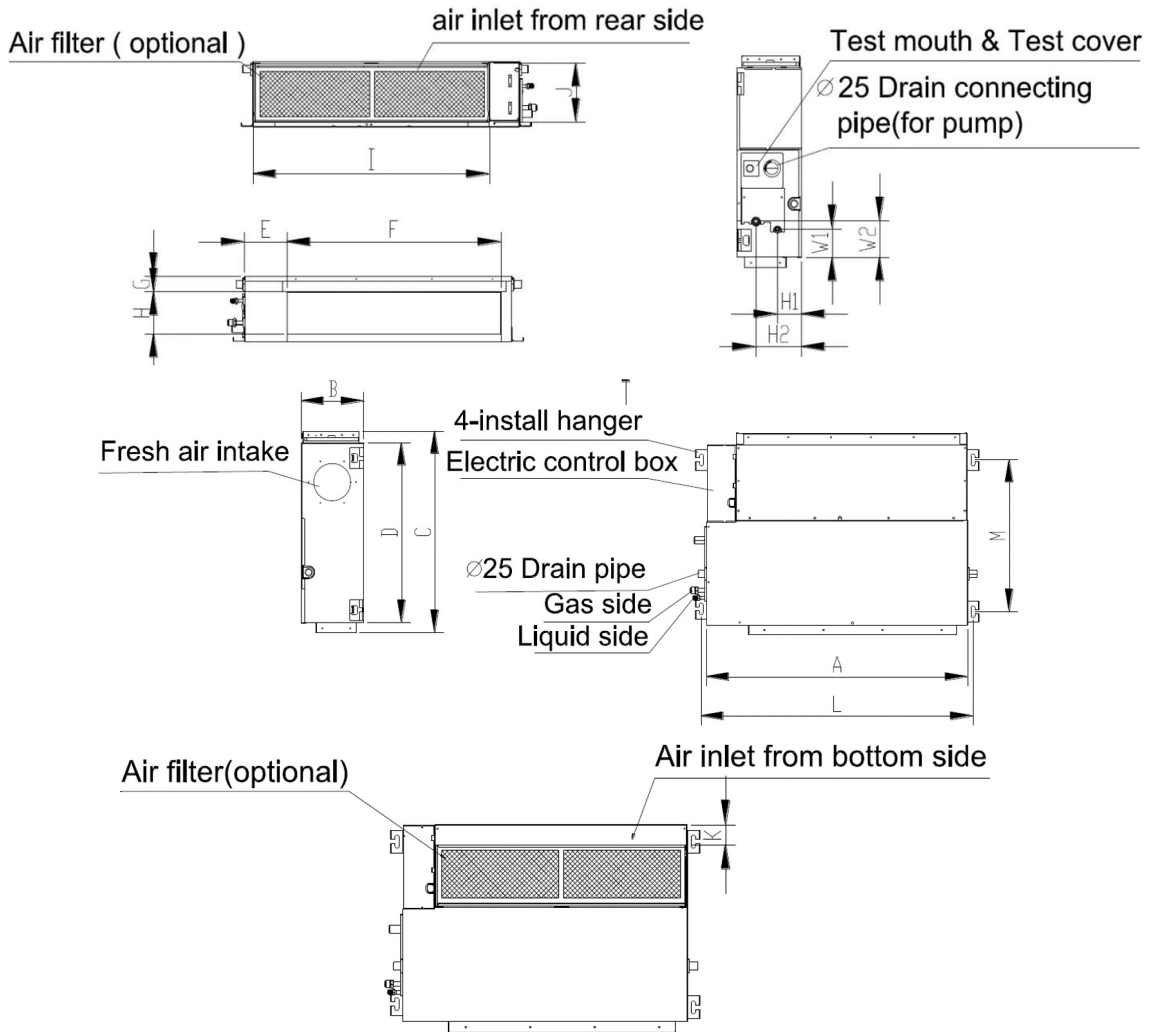


NOTE – Due to Lennox' ongoing commitment to quality, Specifications, Ratings, and Dimensions are subject to change without notice and without incurring liability. Improper installation, adjustment, alteration, service or maintenance can cause property damage or personal injury. Installation and service must be performed by a qualified installer and servicing agency



**SUBMITTAL DATA – FAN COIL
LISH024000P431-C - LIFHC024180P431-C1
SINGLE ZONE INVERTER MINI-SPLIT HEAT PUMP**

INDOOR DIMENSIONAL DRAWINGS - INCHES (MM)



IDU	UNIT	A	B	C	D	E	F	G	H	I	J	K	L	M	H1	H2	W1	W2
24K	mm	1100	249	774	700	140	926	50	175	1001	228	5	1140	598	80	150	130	155
	inch	43.3	9.8	30.5	27.6	5.5	36.5	2.0	6.9	39.4	9.0	0.2	44.9	23.5	3.1	5.9	5.1	6.1

NOTE – Due to Lennox' ongoing commitment to quality, Specifications, Ratings, and Dimensions are subject to change without notice and without incurring liability. Improper installation, adjustment, alteration, service or maintenance can cause property damage or personal injury. Installation and service must be performed by a qualified installer and servicing agency