



**SUBMITTAL DATA – FLOOR CEILING TYPE
LISH024000P431-C - LIUH024180P431-C
SINGLE ZONE INVERTER MINI-SPLIT HEAT PUMP**

Job: _____
Location: _____
Schedule No.: _____
System Designation: _____

Engineer: _____
Architect: _____
Date: _____

FEATURES

Outdoor Unit: **LISH024000P431-C**
Outdoor Unit Cat Number: **Y7923**

Indoor Unit: **LIUH024180P431-C**
Indoor Unit Cat Number: **Y7912**



- DC Inverter Compressor
- DC ODU Motor
- Golden Fin
- Low Ambient Cooling



- Auto Restart
- Horizontal & Vertical Swing
- DC IDU Motor
- Easy Installation
- Washable Filter

PIPING

Line Set and Elevation Guidelines

Maximum Line Set Length ft. (m)	164 ft. (50 m)
Maximum Elevation - Outdoor Unit Below/Above Indoor Unit ft. (m)	82 ft. (25 m)
Liquid Line Set Diameter (in.)	3/8"
Gas Line Set Diameter (in.)	5/8"

PRODUCT WARRANTY

5 Year Limited Warranty*

OPTIONAL ACCESORIES

Wired Control (21F35, KJR-120G2/TFBG-E-03)



NOTE – Due to Lennox' ongoing commitment to quality, Specifications, Ratings, and Dimensions are subject to change without notice and without incurring liability. Improper installation, adjustment, alteration, service or maintenance can cause property damage or personal injury. Installation and service must be performed by a qualified installer and servicing agency



**SUBMITTAL DATA – FLOOR CEILING TYPE
LISH024000P431-C - LIUH024180P431-C
SINGLE ZONE INVERTER MINI-SPLIT HEAT PUMP**

OUTDOOR SPECIFICATIONS

PERFORMANCE

Cooling Capacity (Btu/h)	24,000
EER(W/W)	3.66
SEER(BTUH/W)	20
Heating Capacity (Btu/h)	24,400
HSPF	11

Outdoor Fan Total Air Volume (CFM)	2,354
Ambient Temperature Operating Range	
Cooling	-31°F(-25°C) - 122°F(50°C)
Heating	-13°F(-25°C) - 86°F(30°C)

ELECTRICAL DATA

Power Supply (V/Hz/ϕ)	208-230/60/1
Minimum Circuit Ampacity (A)	15
Maximum Overcurrent Protection (A)	25
Outdoor Fan Motor RLA (A)	.6
Compressor RLA (A)	12
No. of Compressors	1

GENERAL DATA

Connection Ratio (%)	100%
Max. # of Indoor Units	1
Sound Data (dBA) - Cooling/Heating	61
Refrigerant type	R-410A
Factory refrigerant charge	5.2lbs. 82.9 oz.

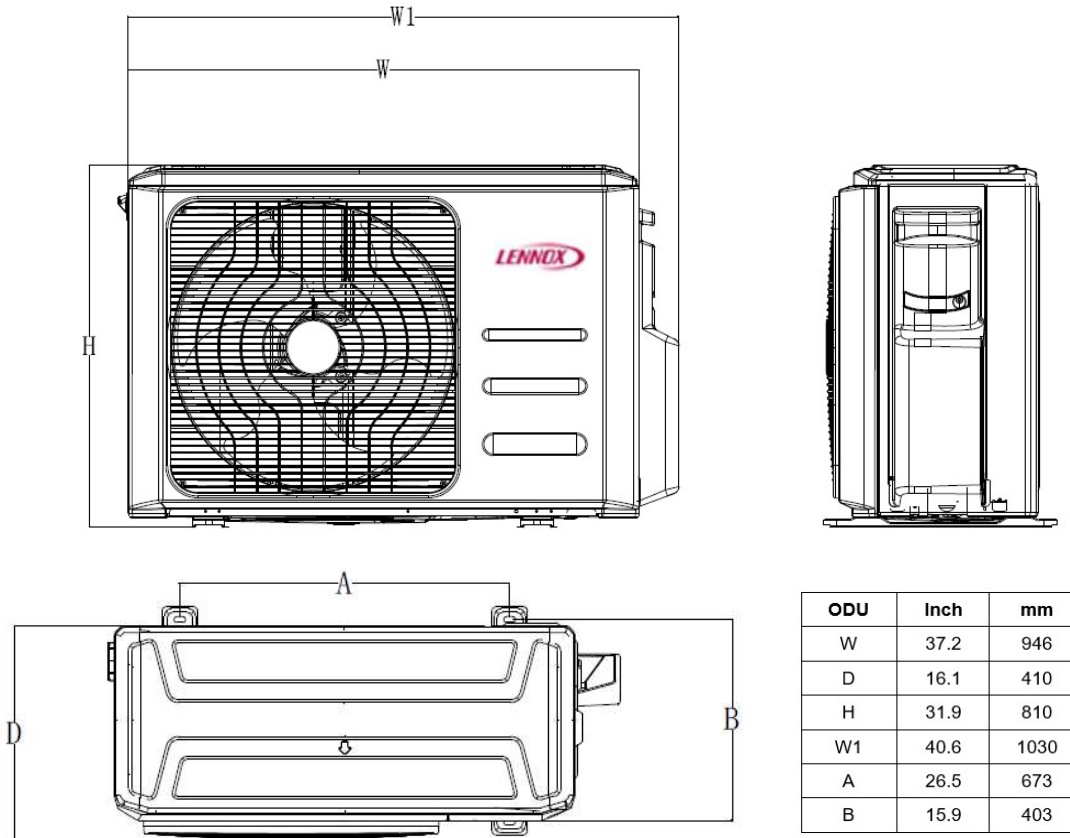
DIMENSIONS

Unit Dimensions (in)	Height	31.9
	Width	37.2
	Depth	16.1
Shipping Weight (lb)		148.6
Net Weight (lb)		136.7

NOTES

1. Cooling and Heating Capacity data is rated at the following conditions:
Cooling: 80°FDB / 67°FWB Indoor, 95°FDB/ 75°FWB Outdoor
Heating: 70°FDB / 60°FWB Indoor, 47°FDB/ 43°FWB Outdoor

OUTDOOR DIMENSIONAL DRAWINGS - INCHES (MM)



ODU	Inch	mm
W	37.2	946
D	16.1	410
H	31.9	810
W1	40.6	1030
A	26.5	673
B	15.9	403

NOTE – Due to Lennox' ongoing commitment to quality, Specifications, Ratings, and Dimensions are subject to change without notice and without incurring liability. Improper installation, adjustment, alteration, service or maintenance can cause property damage or personal injury. Installation and service must be performed by a qualified installer and servicing agency



SUBMITTAL DATA – FLOOR CEILING TYPE LISH024000P431-C - LIUH024180P431-C SINGLE ZONE INVERTER MINI-SPLIT HEAT PUMP

INDOOR SPECIFICATIONS

PERFORMANCE

Airflow (CFM)	Turbo	/
	High	578
	Medium	521
	Low	465
External Static Pressure (in. w.g.)		-
Sound Pressure (dBA)	Turbo	/
	High	53
	Medium	48
	Low	42

ELECTRICAL DATA

Power Supply (V/Hz/ϕ)	208-230/60/1
Rated load amps (RLA)	2
Power Output (W)	55

DIMENSIONS

Unit Dimensions (in)	Height	9.3
	Width	42.1
	Depth	26.6
Unit Net/Shipping Weight (lb)		58.4/69.2

WIRELESS REMOTE CONTROLLER SPECIFICATION

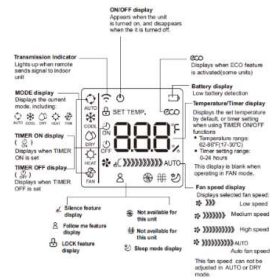
18Y54 (RG66A1/BGEFU1)

Power Supply	2 AAA Batteries (Included)
--------------	----------------------------

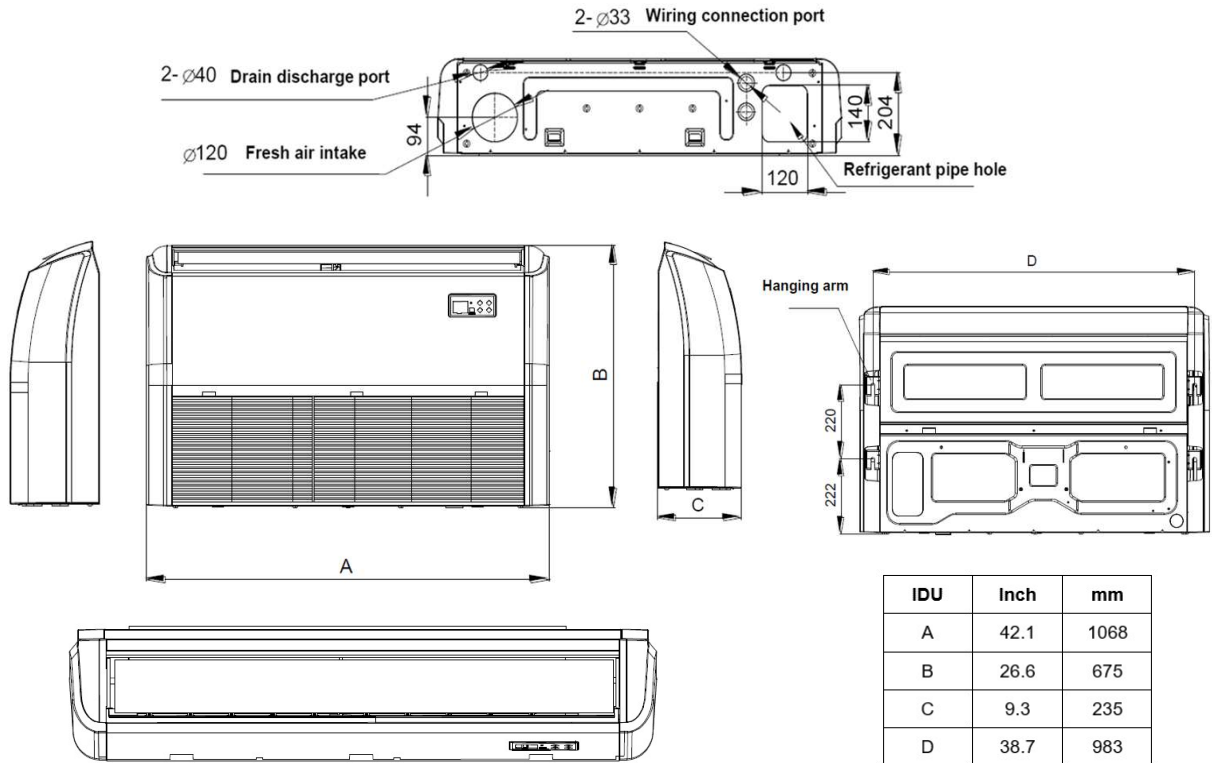
Setpoint Range	62°F(17°C) - 86°F(30°C)
----------------	-------------------------

Effective Receiving Range	26 ft.(8m)
---------------------------	------------

DISPLAY



INDOOR DIMENSIONAL DRAWINGS - INCHES (MM)



IDU	Inch	mm
A	42.1	1068
B	26.6	675
C	9.3	235
D	38.7	983

NOTE – Due to Lennox' ongoing commitment to quality, Specifications, Ratings, and Dimensions are subject to change without notice and without incurring liability. Improper installation, adjustment, alteration, service or maintenance can cause property damage or personal injury. Installation and service must be performed by a qualified installer and servicing agency