



**SUBMITTAL DATA – FLOOR CEILING TYPE  
LISH036000P431-C - LIUH036180P431-C  
SINGLE ZONE INVERTER MINI-SPLIT HEAT PUMP**

Job: \_\_\_\_\_  
Location: \_\_\_\_\_  
Schedule No.: \_\_\_\_\_  
System Designation: \_\_\_\_\_

Engineer: \_\_\_\_\_  
Architect: \_\_\_\_\_  
Date: \_\_\_\_\_

**FEATURES**

Outdoor Unit: **LISH036000P431-C**  
Outdoor Unit Cat Number: **Y7924**

Indoor Unit: **LIUH036180P431-C**  
Indoor Unit Cat Number: **Y7913**



- DC Inverter Compressor
- DC ODU Motor
- Golden Fin
- Low Ambient Cooling



- Auto Restart
- Horizontal & Vertical Swing
- DC IDU Motor
- Easy Installation
- Washable Filter

**PIPING**

**Line Set and Elevation Guidelines**

Maximum Line Set Length ft. (m)	213 ft. (65 m)
Maximum Elevation - Outdoor Unit Below/Above Indoor Unit ft. (m)	98 ft. (30 m)
Liquid Line Set Diameter (in.)	3/8"
Gas Line Set Diameter (in.)	5/8"

**PRODUCT WARRANTY**

5 Year Limited Warranty\*

**OPTIONAL ACCESORIES**

Wired Control (21F35, KJR-120G2/TFBG-E-03)



**NOTE** – Due to Lennox' ongoing commitment to quality, Specifications, Ratings, and Dimensions are subject to change without notice and without incurring liability. Improper installation, adjustment, alteration, service or maintenance can cause property damage or personal injury. Installation and service must be performed by a qualified installer and servicing agency



**SUBMITTAL DATA – FLOOR CEILING TYPE  
LISH036000P431-C - LIUH036180P431-C  
SINGLE ZONE INVERTER MINI-SPLIT HEAT PUMP**

**OUTDOOR SPECIFICATIONS**

PERFORMANCE	
Cooling Capacity (Btu/h)	36,000
EER(W/W)	2.34
SEER(BTUH/W)	16
Heating Capacity (Btu/h)	38,000
HSPF	10
Outdoor Fan Total Air Volume (CFM)	2,530
Ambient Temperature Operating Range	
Cooling	5°F(-15°C) - 122°F(50°C)
Heating	5°F(-15°C) - 86°F(30°C)
ELECTRICAL DATA	
Power Supply (V/Hz/ϕ)	208-230/60/1
Minimum Circuit Ampacity (A)	30
Maximum Overcurrent Protection (A)	50
Outdoor Fan Motor RLA (A)	1
Compressor RLA (A)	22
No. of Compressors	1

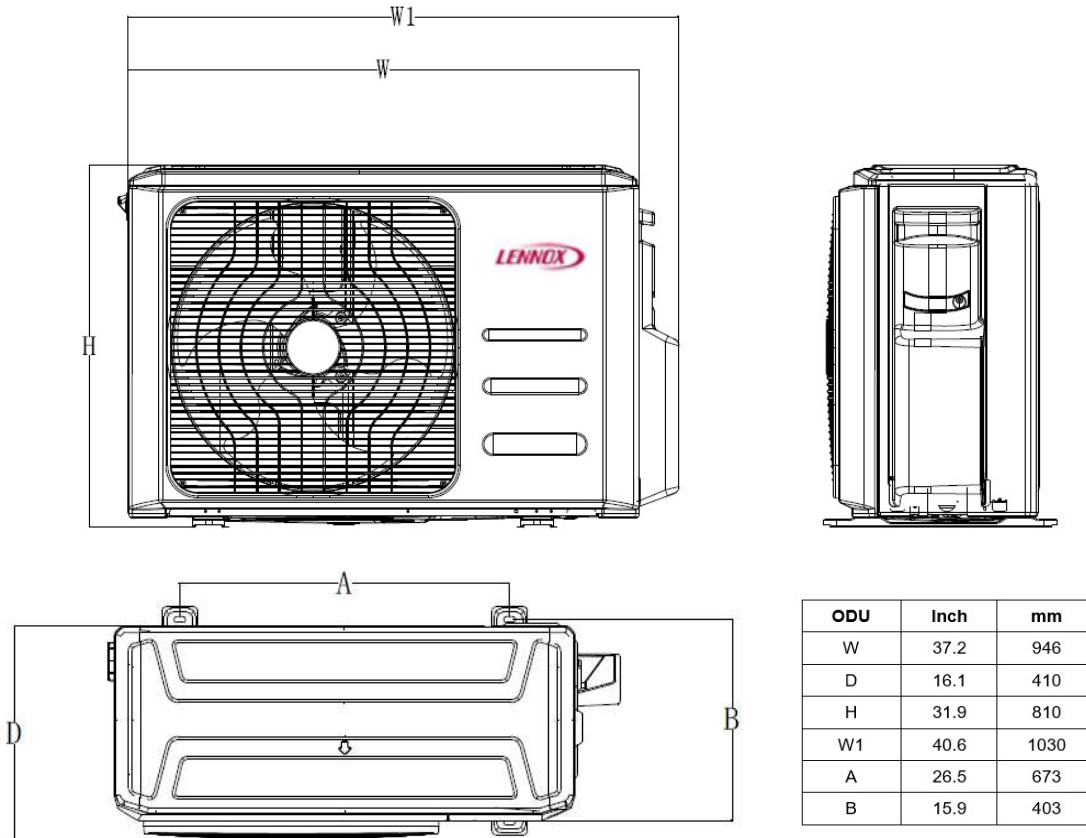
GENERAL DATA	
Connection Ratio (%)	100%
Max. # of Indoor Units	1
Sound Data (dBA) - Cooling/Heating	66
Refrigerant type	R-410A
Factory refrigerant charge	6.75lbs. 108 oz.

DIMENSIONS		
Unit Dimensions (in)	Height	31.9
	Width	37.2
	Depth	16.1
Shipping Weight (lb)		160.9
Net Weight (lb)		148.6

**NOTES**

1. Cooling and Heating Capacity data is rated at the following conditions:  
Cooling: 80°FDB / 67°FWB Indoor, 95°FDB/ 75°FWB Outdoor  
Heating: 70°FDB / 60°FWB Indoor, 47°FDB/ 43°FWB Outdoor

**OUTDOOR DIMENSIONAL DRAWINGS - INCHES (MM)**



**NOTE** – Due to Lennox' ongoing commitment to quality, Specifications, Ratings, and Dimensions are subject to change without notice and without incurring liability. Improper installation, adjustment, alteration, service or maintenance can cause property damage or personal injury. Installation and service must be performed by a qualified installer and servicing agency

